

AXOR Montreux
2-handle basin mixer 220 with cross handles and pop-up waste set
 Finish: **Brushed Nickel** Article Number: **16510820**



product features

- consists of: 2-handle basin mixer, waste set
- ComfortZone 220
- projection: 175 mm
- spout height: 224 mm
- swivel range 120°
- spray type: laminar spray
- maximum flow rate at 3 bar: 5 l/min
- ceramic valves hot/cold 90°
- suitable for continuous flow water heaters
- pop-up waste set G 1¼
- connection type: G ¾ connections
- connection dimension: DN15
- WRAS 2203017
- WRAS 2203017 - Approval letter

Article Details

Price excl. VAT

1.575,00 £

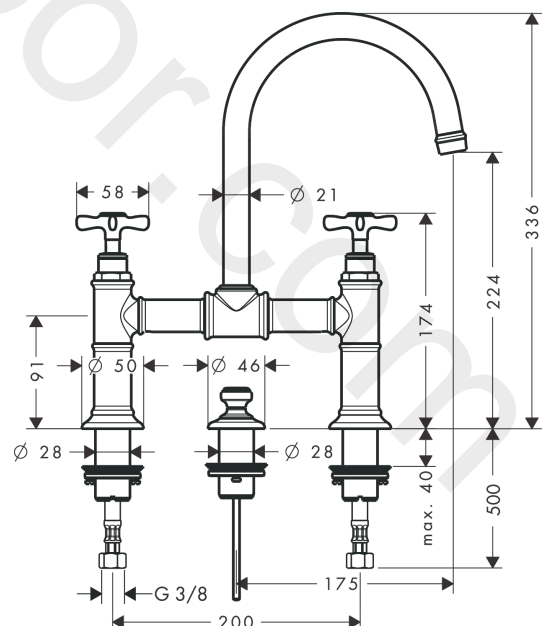
Technology



Product image



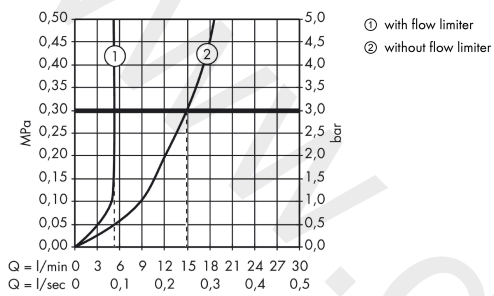
Scale drawing



AXOR Montreux
2-handle basin mixer 220 with cross handles and pop-up waste set
 Finish: **Brushed Nickel** Article Number: **16510820**



Flowchart

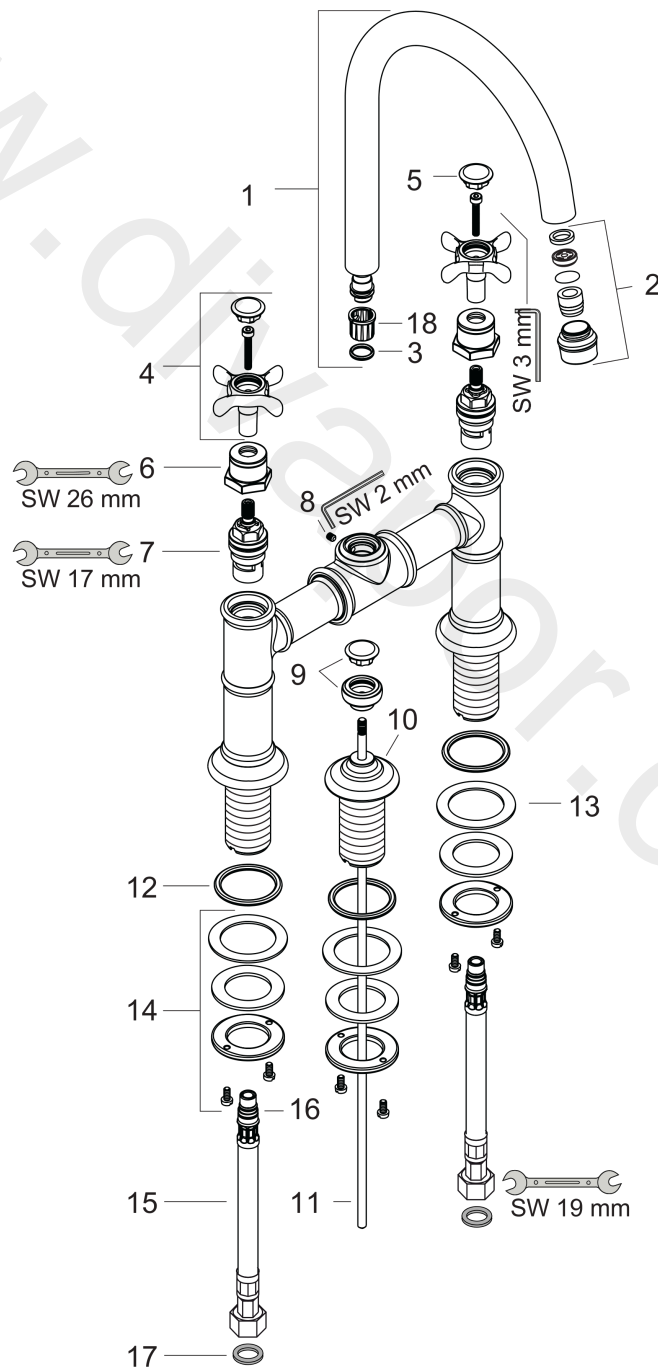


AXOR Montreux
2-handle basin mixer 220 with cross handles and pop-up waste set
 Finish: **Brushed Nickel** Article Number: **16510820**



Exploded Drawing

Year of production: >10/10



AXOR Montreux
2-handle basin mixer 220 with cross handles and pop-up waste set
 Finish: **Brushed Nickel** Article Number: **16510820**



Spare part list

Year of production: >10/10

Pos.		Article Number	Price	PU
1	spout cpl.	97990820	£ 370,00	1
2	aerator M18x1 (5 l/min)	95378820	£ 64,00	1
3	O-ring 11x2	98127000	£ 3,30	1
4	handle	16597820	£ 173,00	1
5	set of screw covers, cold / hot water / neutral	97987000	£ 64,00	1
6	sleeve	97993820	£ 79,00	1
7	shut off unit right closing	94009000	£ 43,00	1
8	hollow set screw M4x5	98731000	£ 3,30	1
9	diverter knob	98619820	£ 110,00	1
10	escutcheon	98620820	£ 110,00	1
11	pull rod	94067000	£ 20,50	1
12	O-ring 34x4	98155000	£ 3,30	1
13	lever collar	97548000	£ 3,30	1
14	fixing set for shut off unit	96078000	£ 35,00	1
15	connection hose 600 mm M10x1 G3/8	97398000	£ 35,00	1
16	O-ring 8x1,75	97827000	£ 3,30	1
17	sealing set	95581000	£ 6,10	1
18	lever collar	92849000	£ 9,00	1
a	supply pipe 490 mm	96786000	£ 64,00	1
b	pop up waste	94139820	£ 173,00	1