

**AXOR Montreux**  
**2-handle basin mixer 210 with cross handles and pop-up waste set**  
 Finish: **Brushed Nickel**    Article Number: **16502820**



### product features

- consists of: 2-handle basin mixer, waste set
- ComfortZone 210
- projection: 175 mm
- spout height: 211 mm
- swivel range 120°
- spray type: laminar spray
- maximum flow rate at 3 bar: 5 l/min
- ceramic valves hot/cold 90°
- suitable for continuous flow water heaters
- pop-up waste set G 1¼
- connection type: G ¾ connections
- connection dimension: DN15
- WRAS 2203018
- WRAS 2203018 - Approval letter

### Article Details

Price excl. VAT 962,50 £

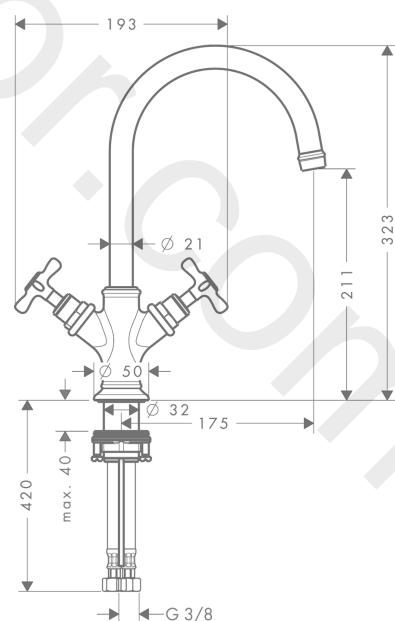
### Technology



### Product image



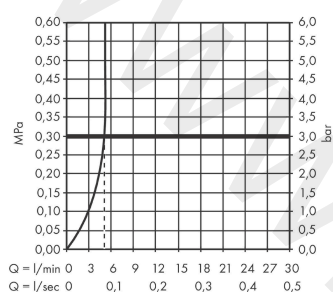
### Scale drawing



**AXOR Montreux**  
**2-handle basin mixer 210 with cross handles and pop-up waste set**  
Finish: **Brushed Nickel** Article Number: **16502820**



## Flowchart

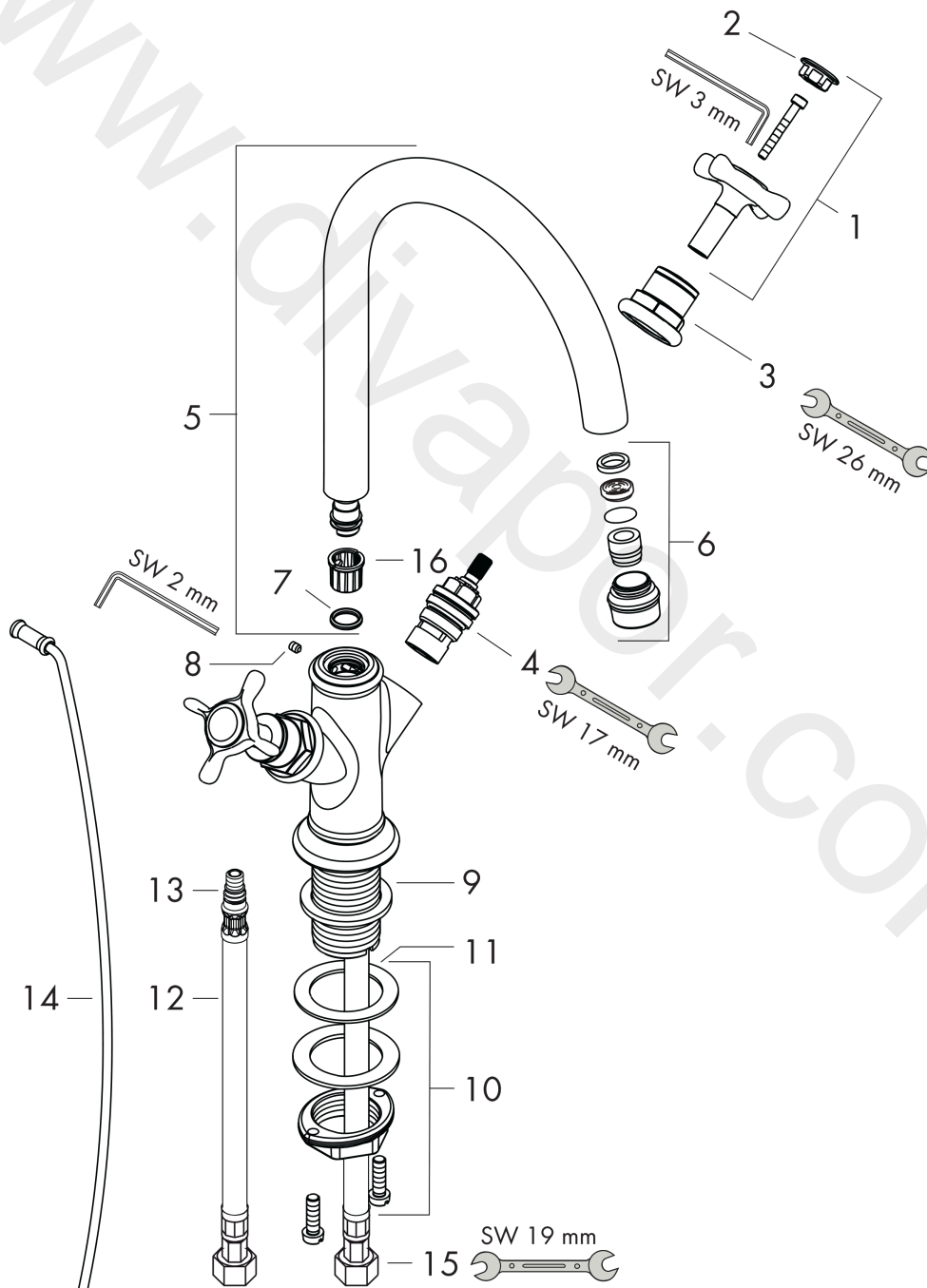


**AXOR Montreux**  
**2-handle basin mixer 210 with cross handles and pop-up waste set**  
 Finish: **Brushed Nickel** Article Number: **16502820**



## Exploded Drawing

Year of production: >10/10



**AXOR Montreux**  
**2-handle basin mixer 210 with cross handles and pop-up waste set**  
 Finish: **Brushed Nickel** Article Number: **16502820**



## Spare part list

Year of production: >10/10

Pos.		Article Number	Price	PU
1	handle	16291820	£ 137,00	1
2	set of screw covers, cold / hot water / neutral	97987000	£ 64,00	1
3	sleeve	97993820	£ 79,00	1
4	shut off unit right closing	94009000	£ 43,00	1
5	spout cpl.	97990820	£ 370,00	1
6	aerator M18x1 (5 l/min)	95378820	£ 64,00	1
7	O-ring 11x2	98127000	£ 3,30	1
8	hollow set screw M4x5	98731000	£ 3,30	1
9	flat seal	98749000	£ 6,10	1
10	fixing set (Ø 32)	13961000	£ 25,00	1
11	lever collar	97548000	£ 3,30	1
12	connection hose 450 mm M8x0,75 G3/8	97206000	£ 35,00	1
13	O-ring 7x1,5	98422000	£ 3,30	1
14	pull rod	98730820	£ 51,00	1
15	sealing set	95581000	£ 6,10	1
16	lever collar	92849000	£ 9,00	1
a	pop up waste	94139820	£ 173,00	1
b	fixation extension 35 mm	13898000	£ 79,00	1