

Basic set 52 l/min for shut-off valve for concealed installation spindle

Finish: n.a. Article Number: **15973180**



Description

product features

- connection type: DN15
- suitable for all shut-off valves finish sets
- maximum flow rate at 3 bar: 52 l/min
- connection dimension: DN15

Article Details

Price excl. VAT

108,33 £

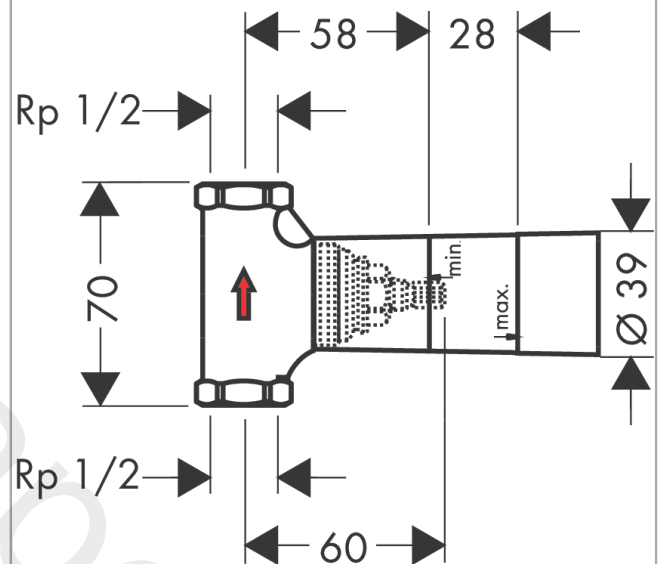
Certificates / Sustainability



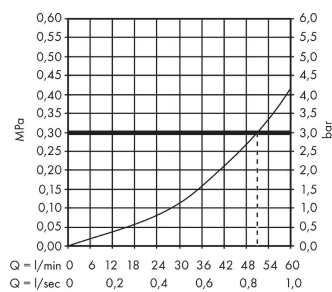
Product image



Scale drawing



Flowchart

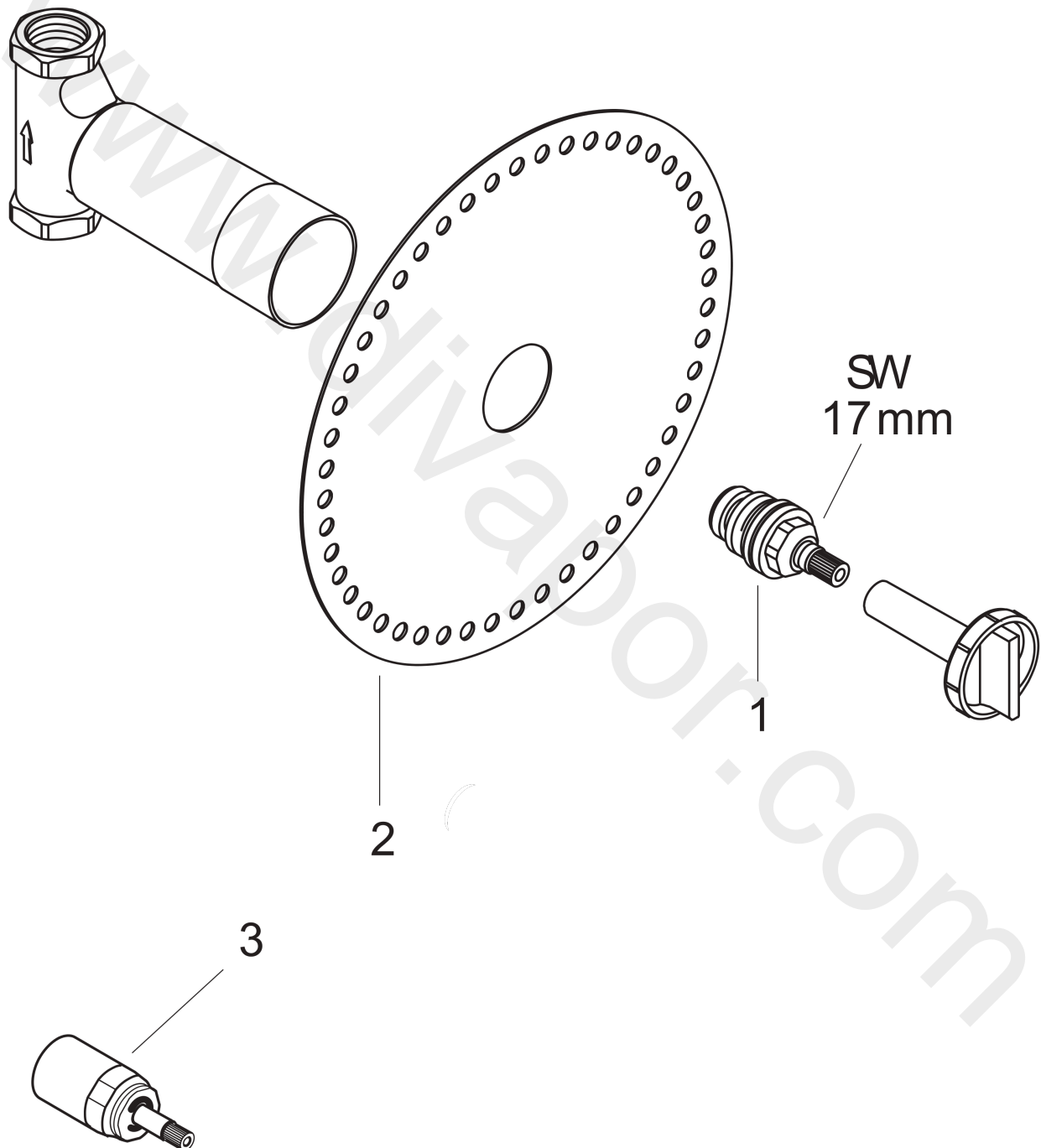


Basic set 52 l/min for shut-off valve for concealed installation spindle
 Finish: n.a. Article Number: 15973180



Exploded Drawing

Year of production: >05/01



Basic set 52 l/min for shut-off valve for concealed installation spindle

Finish: n.a. Article Number: **15973180**



Spare part list

Year of production: >05/01

Pos.	Description	Article Number	Price	PU
1	shut off unit with spindle 1/2"	94142000	£ 35,00	1
2	sealing foil	96492000	£ 9,00	1
3	extension 25 mm	96370000	£ 84,00	1

www.divapor.com