

## Ecostat E

### Bath thermostat for exposed installation

Finish: **Chrome** Article Number: **15774007**



#### Description

##### product features

- 2 functions
- CoolContact thermostat: Prevents the housing from heating up, making showering even safer
- EcoStop button limits the water consumption to 9 l/min
- thermostat cartridge
- flow rate for bath spout at 3 bar: 18,6 l/min
- flow rate of hand shower at 3 bar: 12 l/min
- min. operating pressure: 1 bar
- max. operating pressure: 10 bar
- Safety stop at 40 °C
- temperature limitation adjustable
- non-return valve
- protected against backflow, according to DIN EN 1717
- with silencer
- material handles: metal
- connection dimension: G ½
- connection type: s-shaped connections
- centre distance: 150 ± 12 mm
- dirt filter included

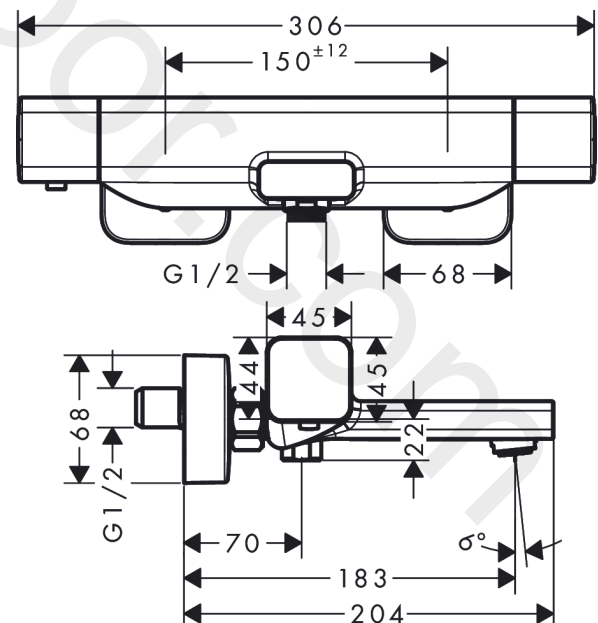
#### Technology



#### Product image



#### Scale drawing



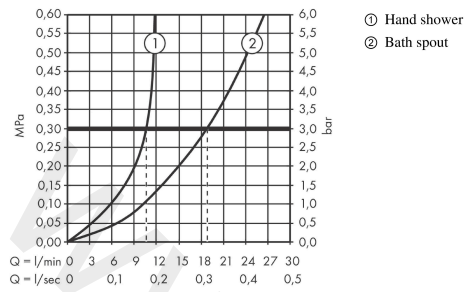
**Ecostat E**

**Bath thermostat for exposed installation**

Finish: **Chrome** Article Number: **15774007**



**Flowchart**



www.divapor.com



## Ecostat E

Bath thermostat for exposed installation

Finish: **Chrome** Article Number: **15774007**



### Spare part list

Year of production: >08/19

Pos.	Description	Article Number	Price	PU
1	handle	93521000	£ 79,00	1
2	handle fixing set	93228000	£ 9,00	1
3	safety set	93519000	£ 3,30	1
4	nut	98913000	£ 20,50	1
5	shut off unit with selector	98283000	£ 79,00	1
6	handle	93520000	£ 96,00	1
7	pushbutton	92848000	£ 6,10	1
8	thermostat cartridge	98282000	£ 110,00	1
9	connecting thread	95392000	£ 20,50	1
10	O-ring 14x2	98129000	£ 3,30	1
11	aerator M24x1 (38 l/min)	95871000	£ 20,50	1
12	set of unions	94285000	£ 67,00	1
13	set of nuts	96157000	£ 35,00	1
14	non return valve (pressure-resistant up to 2 MPa)	93136000	£ 35,00	1
15	non return valve	96737000	£ 35,00	1
16	O-ring 17x1,5	98137000	£ 3,30	1
17	filter packing	96922000	£ 9,00	1
18	escutcheon	93518000	£ 25,00	1
19	set of S-unions	94140007	-	1