

## Ecostat E

### Shower thermostat for exposed installation 2 ticks

Finish: **Chrome** Article Number: **15773009**



#### Description

##### product features

- 1 function
- CoolContact thermostat: Prevents the housing from heating up, making showering even safer
- thermostat cartridge
- maximum flow rate at 3 bar: 5,7 l/min
- min. operating pressure: 1 bar
- max. operating pressure: 10 bar
- Safety stop at 40 °C
- temperature limitation adjustable
- non-return valve
- with silencer
- material handles: metal
- centre distance: 150 ± 12 mm
- connection dimension: G 1/2
- connection type: s-shaped connections
- dirt filter included

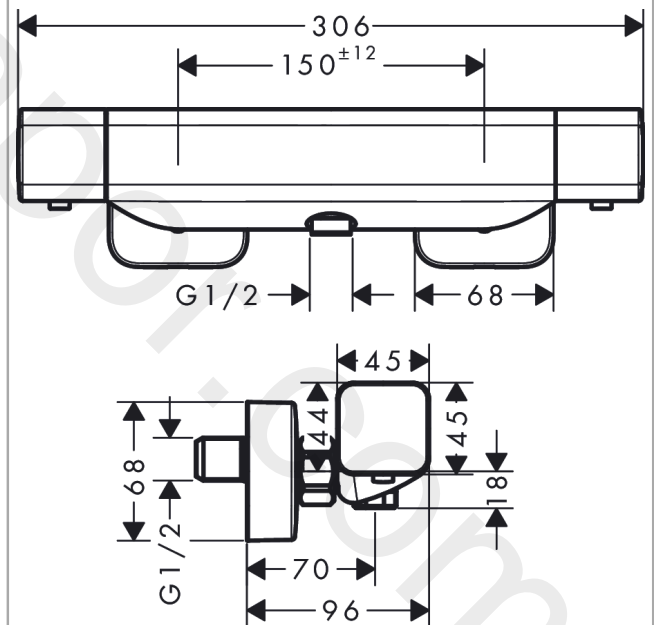
#### Technology



#### Product image



#### Scale drawing



**Ecostat E**  
**Shower thermostat for exposed installation 2 ticks**  
Finish: **Chrome** Article Number: **15773009**



Flowchart

Hand shower



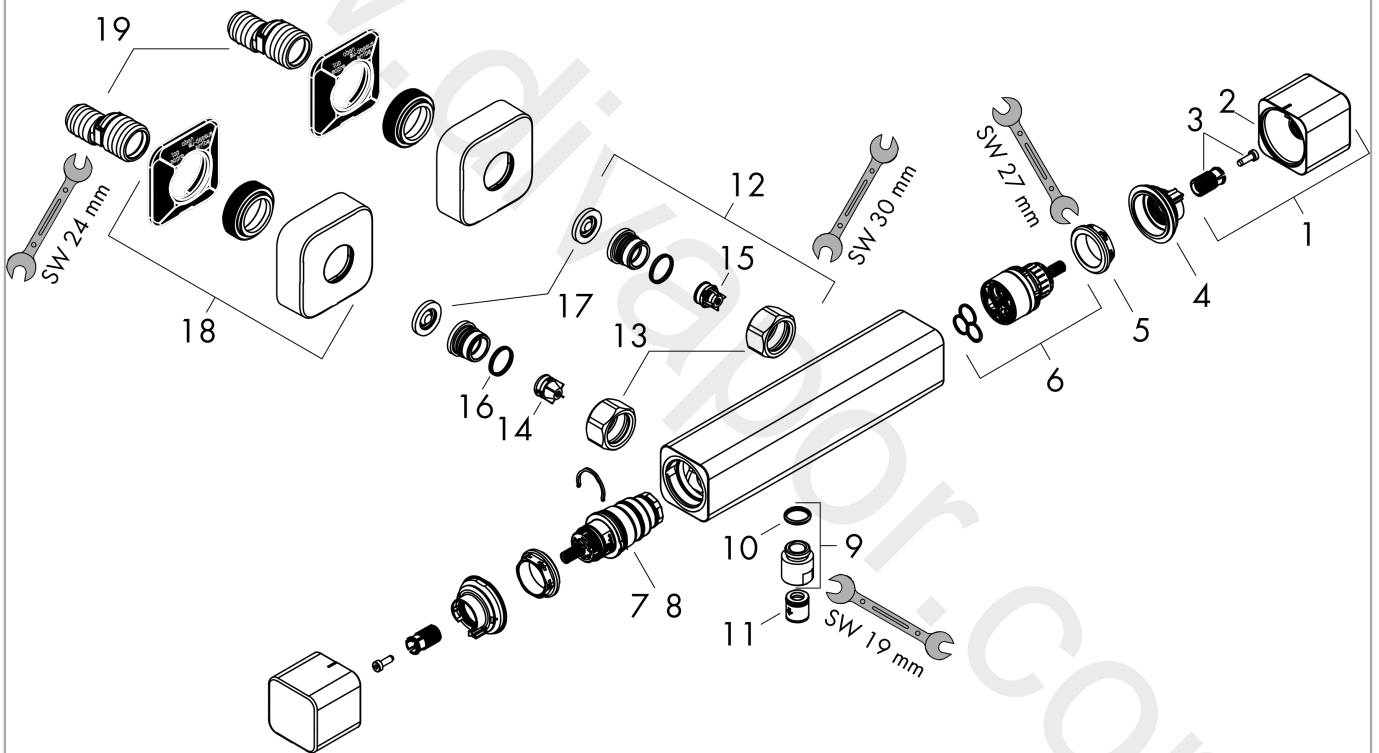
www.divapor.com

**Ecostat E**  
**Shower thermostat for exposed installation 2 ticks**  
 Finish: **Chrome** Article Number: **15773009**



**Exploded Drawing**

Year of production: >04/20



**Ecostat E****Shower thermostat for exposed installation 2 ticks**Finish: **Chrome** Article Number: **15773009****Spare part list**

Year of production: &gt;04/20

Pos.	Description	Article Number	Price	PU
1	handle	93520000	£ 96,00	1
2	pushbutton	92848000	£ 6,10	1
3	handle fixing set	93228000	£ 9,00	1
4	safety set	93519000	£ 3,30	1
5	nut	98913000	£ 20,50	1
6	shut off unit	95800000	£ 64,00	1
7	thermostat cartridge	98282000	£ 110,00	1
8	cartridge for exchanged connections	92373000	£ 275,00	1
9	connecting thread	95392000	£ 20,50	1
10	O-ring 14x2	98129000	£ 3,30	1
11	non return valve	92839000	£ 16,10	1
12	set of unions	94285000	£ 67,00	1
13	set of nuts	96157000	£ 35,00	1
14	non return valve (pressure-resistant up to 2 MPa)	93136000	£ 35,00	1
15	non return valve	96737000	£ 35,00	1
16	O-ring 17x1,5	98137000	£ 3,30	1
17	filter packing	96922000	£ 9,00	1
18	escutcheon	93518000	£ 25,00	1
19	set of S-unions (±12 mm)	94140000	£ 51,00	1