

**Ecostat E**  
**Shower thermostat for exposed installation**  
 Finish: **Chrome** Article Number: **15773007**



### Description

#### product features

- EcoStop button limits the water consumption to 9 l/min
- 1 function
- CoolContact thermostat: Prevents the housing from heating up, making showering even safer
- thermostat cartridge
- maximum flow rate at 3 bar: 28,6 l/min
- min. operating pressure: 1 bar
- max. operating pressure: 10 bar
- Safety stop at 40 °C
- temperature limitation adjustable
- non-return valve
- with silencer
- suitable for continuous flow water heaters
- material handles: metal
- centre distance: 150 ± 12 mm
- connection dimension: G 1/2
- connection type: s-shaped connections
- dirt filter included

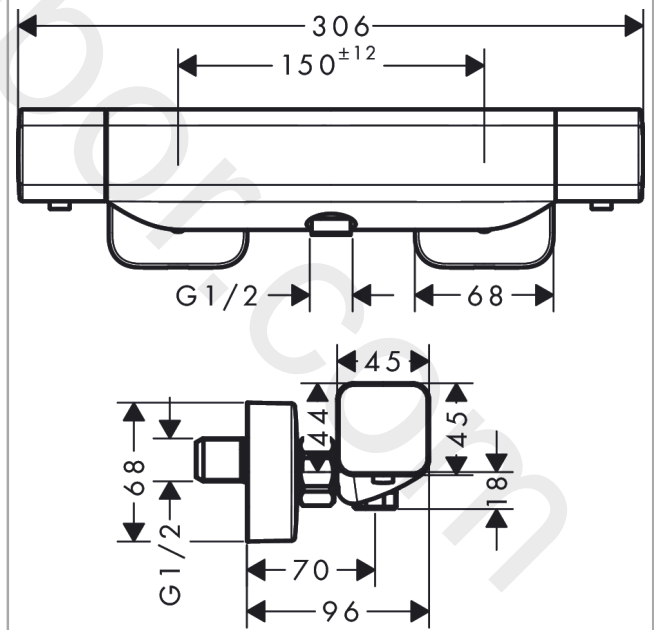
### Technology



### Product image



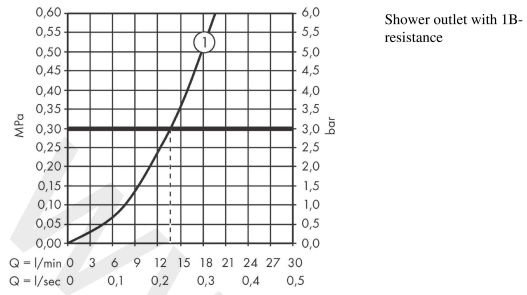
### Scale drawing



**Ecostat E**  
**Shower thermostat for exposed installation**  
 Finish: **Chrome** Article Number: **15773007**



**Flowchart**



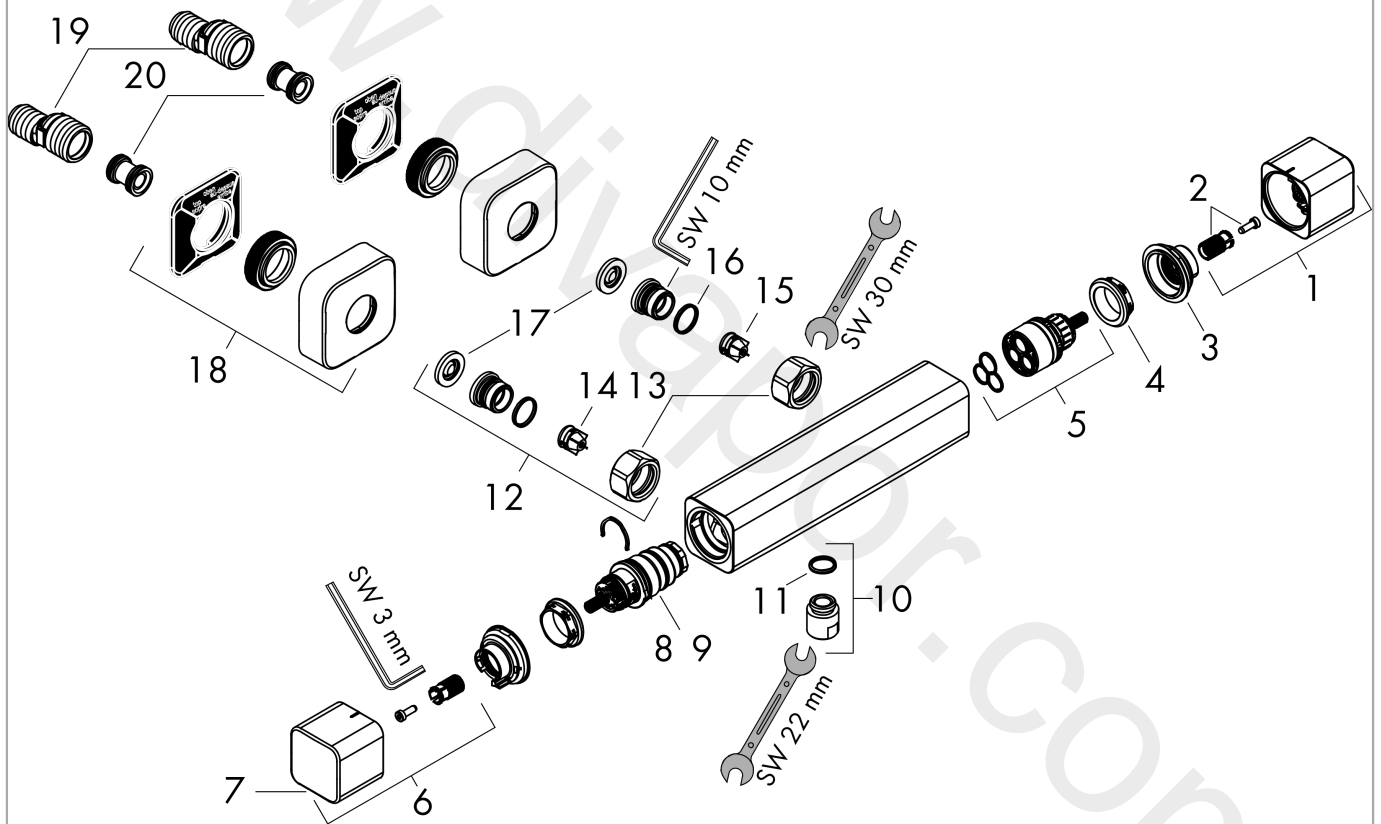
www.divapor.com

**Ecostat E**  
**Shower thermostat for exposed installation**  
 Finish: **Chrome** Article Number: **15773007**



**Exploded Drawing**

Year of production: >08/19



**Ecostat E**  
**Shower thermostat for exposed installation**  
 Finish: **Chrome** Article Number: **15773007**



### Spare part list

Year of production: >08/19

Pos.	Description	Article Number	Price	PU
1	handle	93521000	£ 79,00	1
2	handle fixing set	93228000	£ 9,00	1
3	safety set	93519000	£ 3,30	1
4	nut	98913000	£ 20,50	1
5	shut off unit	95800000	£ 64,00	1
6	handle	93520000	£ 96,00	1
7	pushbutton	92848000	£ 6,10	1
8	thermostat cartridge	98282000	£ 110,00	1
9	connecting thread	95392000	£ 20,50	1
10	O-ring 14x2	98129000	£ 3,30	1
11	set of unions	94285000	£ 67,00	1
12	set of nuts	96157000	£ 35,00	1
13	non return valve (pressure-resistant up to 2 MPa)	93136000	£ 35,00	1
14	non return valve	96737000	£ 35,00	1
15	O-ring 17x1,5	98137000	£ 3,30	1
16	filter packing	96922000	£ 9,00	1
17	escutcheon	93518000	£ 25,00	1
18	set of S-unions	94140007	-	1