

ShowerSelect
Mixer for concealed installation for 2 functions
 Finish: **Chrome** Article Number: **15768000**



Description

product features

- 2 functions
- simultaneous use of several outlets
- maximum flow rate at 3 bar: 22 l/min
- flow rate upper outlet: 20 l/min
- flow rate lower outlet: 20 l/min
- ceramic cartridge for temperature control, Start/stop valve to operate the functions
- temperature limitation adjustable
- min. operating pressure: 1 bar
- max. operating pressure: 10 bar
- mixer is delivered with button On/Off
- connection type: basic set
- WRAS 2206035
- WRAS 2206035 - Approval letter

Article Details

Price excl. VAT 616,67 £

Technology



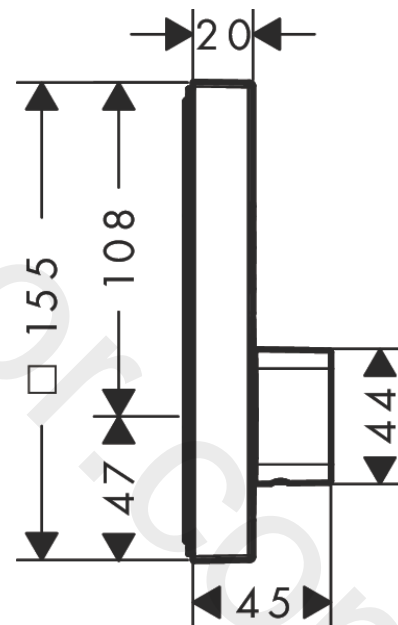
Certificates / Sustainability



Product image



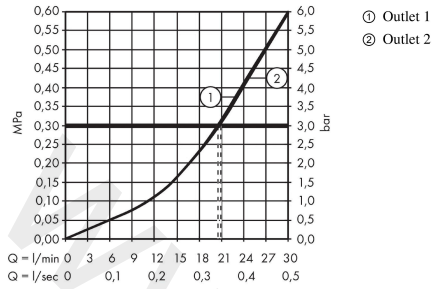
Scale drawing



ShowerSelect
Mixer for concealed installation for 2 functions
 Finish: **Chrome** Article Number: **15768000**



Flowchart

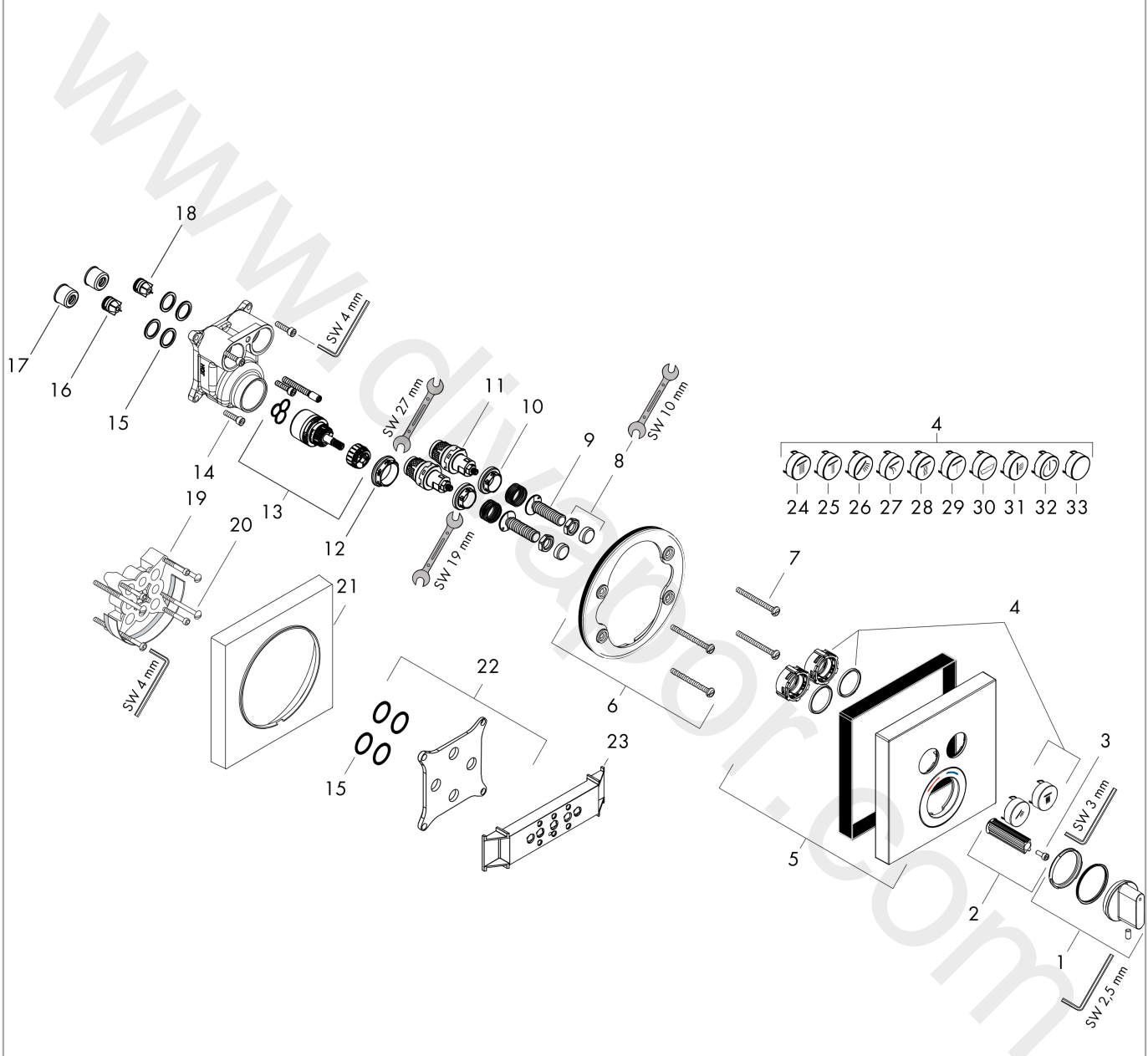


ShowerSelect
Mixer for concealed installation for 2 functions
 Finish: **Chrome** Article Number: **15768000**



Exploded Drawing

Year of production: >05/14



ShowerSelect
Mixer for concealed installation for 2 functions
 Finish: **Chrome** Article Number: **15768000**



Spare part list

Year of production: >05/14

Pos.	Description	Article Number	Price	PU
1	handle	92350000	£ 96,00	1
2	adapter for handle	92349000	£ 9,00	1
3	hexagon socket screw M4x10	97661000	£ 6,10	1
4	set of symbols	92218000	£ 79,00	1
5	escutcheon 155 / 155 mm	92354000	£ 173,00	1
6	holder for escutcheon	98793000	£ 43,00	1
7	set of fixing screws	96454000	£ 9,00	1
8	nut and flange	92696000	£ 16,10	1
9	Select-adapter	92219000	£ 6,10	1
10	nut	98368000	£ 13,30	1
11	shut off unit	95758000	£ 110,00	1
12	nut	98913000	£ 20,50	1
13	cartridge, assy	98303000	£ 79,00	1
14	set of screws	96525000	£ 9,00	1
15	O-ring 16x2	98133000	£ 3,30	1
16	non return valve (pressure-resistant up to 2 MPa)	92594000	£ 16,10	1
17	noise reduction	94073000	£ 25,00	1
18	non return valve	97980000	£ 16,10	1
19	extension 25 mm	13595000	£ 75,00	1
20	set of fixing screws	97747000	£ 3,30	1
21	extension 22 mm	13593000	£ 79,00	1
22	compensation set 1°	95521000	£ 173,00	1
23	fit-up aid	92540000	£ 14,10	1
24	symbol head shower Rain large	93571880	£ 9,00	1
25	symbol head shower Rain small	93572880	£ 9,00	1
26	symbol handshower	93573880	£ 9,00	1
27	symbol Flood jet	93574880	£ 9,00	1
28	symbol Whirl	93575880	£ 9,00	1
29	symbol Mono	93576880	£ 9,00	1
30	symbol tub	93577880	£ 9,00	1
31	symbol body shower	93578880	£ 9,00	1
32	symbol ON/OFF	93579880	£ 9,00	1
33	pushbutton	93955880	£ 20,50	1
a	concealed item	01800180	£ 163,00	1
b	adapter for exchanged connections	93181000	£ 275,00	1
c	shut off unit (special)	92361000	£ 110,00	1