

Ecostat S
Thermostat for concealed installation for 2 functions
 Finish: **Brushed Bronze** Article Number: **15758140**



Description

product features

- 2 functions
- volume control and diverter for 2 functions
- thermostat cartridge, shut-off/ diverter valve
- maximum flow rate at 3 bar: 29 l/min
- flow rate upper outlet: 28 l/min
- flow rate lower outlet: 25 l/min
- min. operating pressure: 1 bar
- max. operating pressure: 10 bar
- safety stop at 40 °C
- temperature limitation adjustable
- connection type: basic set
- WRAS 2308702
- WRAS 2308702 - Approval letter 2308702

Article Details

Price excl. VAT 806,30 £

Technology



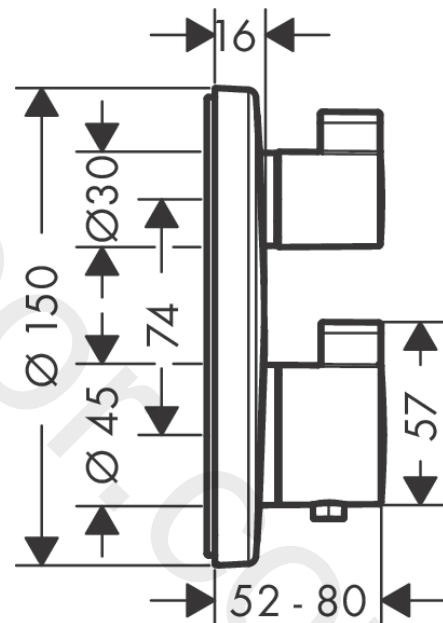
Design awards



Product image



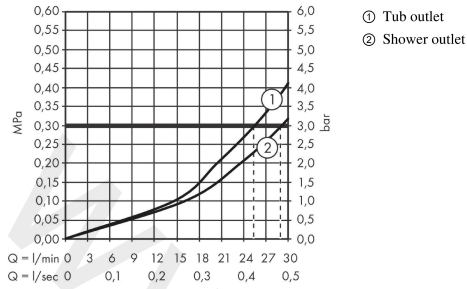
Scale drawing



Ecostat S
Thermostat for concealed installation for 2 functions
 Finish: **Brushed Bronze** Article Number: **15758140**



Flowchart

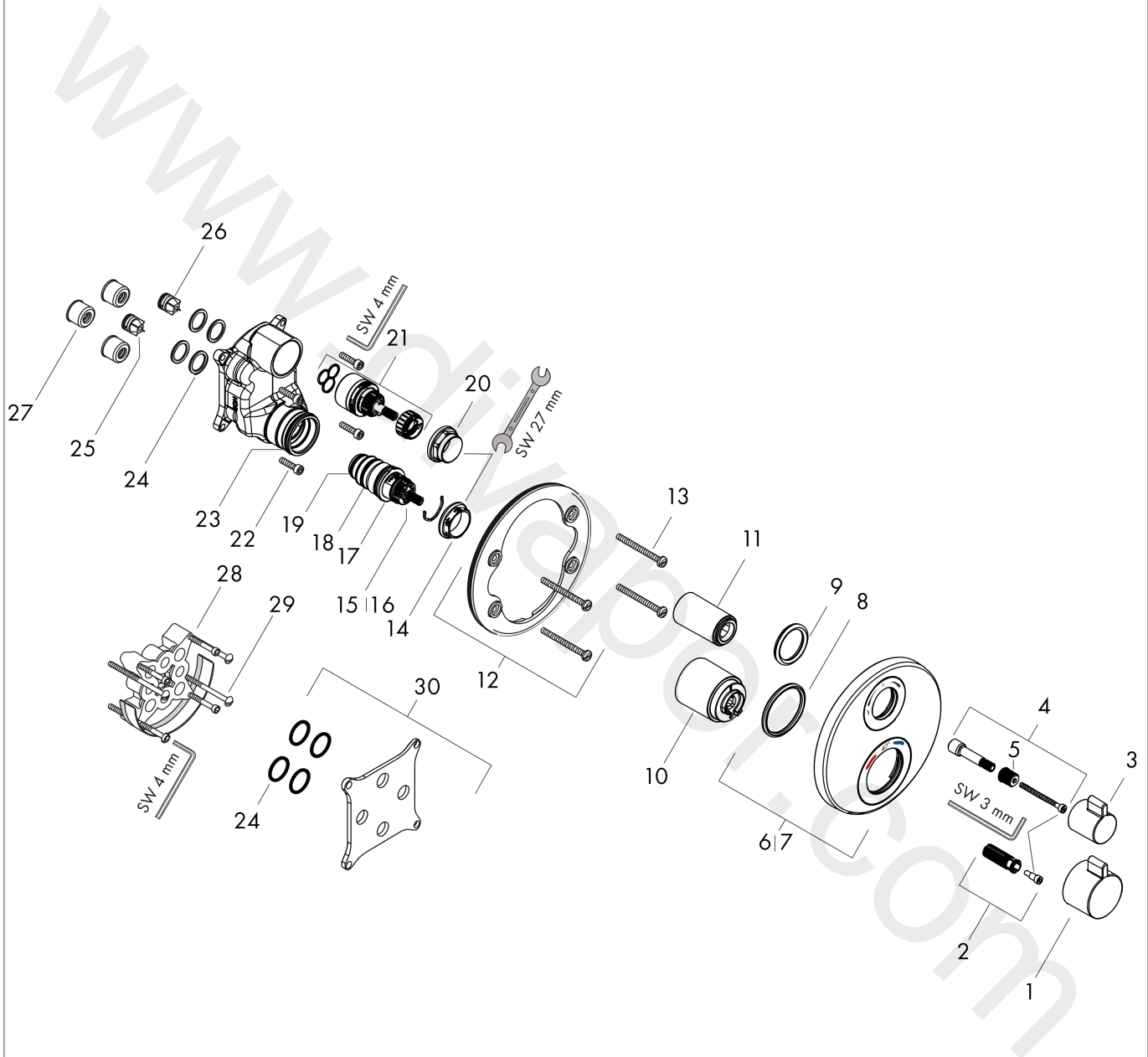


Ecostat S
Thermostat for concealed installation for 2 functions
 Finish: **Brushed Bronze** Article Number: **15758140**



Exploded Drawing

Year of production: >06/20



Ecostat S

Thermostat for concealed installation for 2 functions

Finish: **Brushed Bronze** Article Number: **15758140**



Spare part list

Year of production: >06/20

Pos.	Description	Article Number	Price	PU
1	handle for thermostat	92215140	£ 96,00	1
2	handle fixing set	95843000	£ 9,00	1
3	handle	92281140	£ 76,00	1
4	adapter for handle	95252000	£ 64,00	1
5	handle fixing set	98932000	£ 16,10	1
6	escutcheon Ø 150 mm	92283140	£ 142,00	1
7	escutcheon for exchanged connections	92563XXX	> £ 79,00	-
8	O-ring 44x4	98471000	£ 9,00	1
9	O-ring 30x5	98153000	£ 3,30	1
10	sleeve	92216140	£ 51,00	1
11	sleeve	95253140	£ 51,00	1
12	holder for escutcheon	98793000	£ 43,00	1
13	set of fixing screws	96454000	£ 9,00	1
14	nut	98913000	£ 20,50	1
15	thermostat cartridge	98282000	£ 110,00	1
16	cartridge for exchanged connections	92373000	£ 275,00	1
17	O-ring 25x2,5	92146000	£ 16,10	1
18	O-ring 25x1,5	98146000	£ 3,30	1
19	O-ring 20x1,5	98197000	£ 3,30	1
20	nut	95255000	£ 20,50	1
21	shut off unit with selector	98283000	£ 79,00	1
22	set of screws	96525000	£ 9,00	1
23	O-ring 36x2	98156000	£ 3,30	1
24	O-ring 16x2	98133000	£ 3,30	1
25	non return valve (pressure-resistant up to 2 MPa)	92594000	£ 16,10	1
26	set of non return valves DW 15	97350000	£ 20,50	1
27	noise reduction	94073000	£ 25,00	1
28	extension 25 mm	13595000	£ 75,00	1
29	set of fixing screws	97747000	£ 3,30	1
30	compensation set 1°	95521000	£ 173,00	1
a	concealed item	01800180	£ 163,00	1