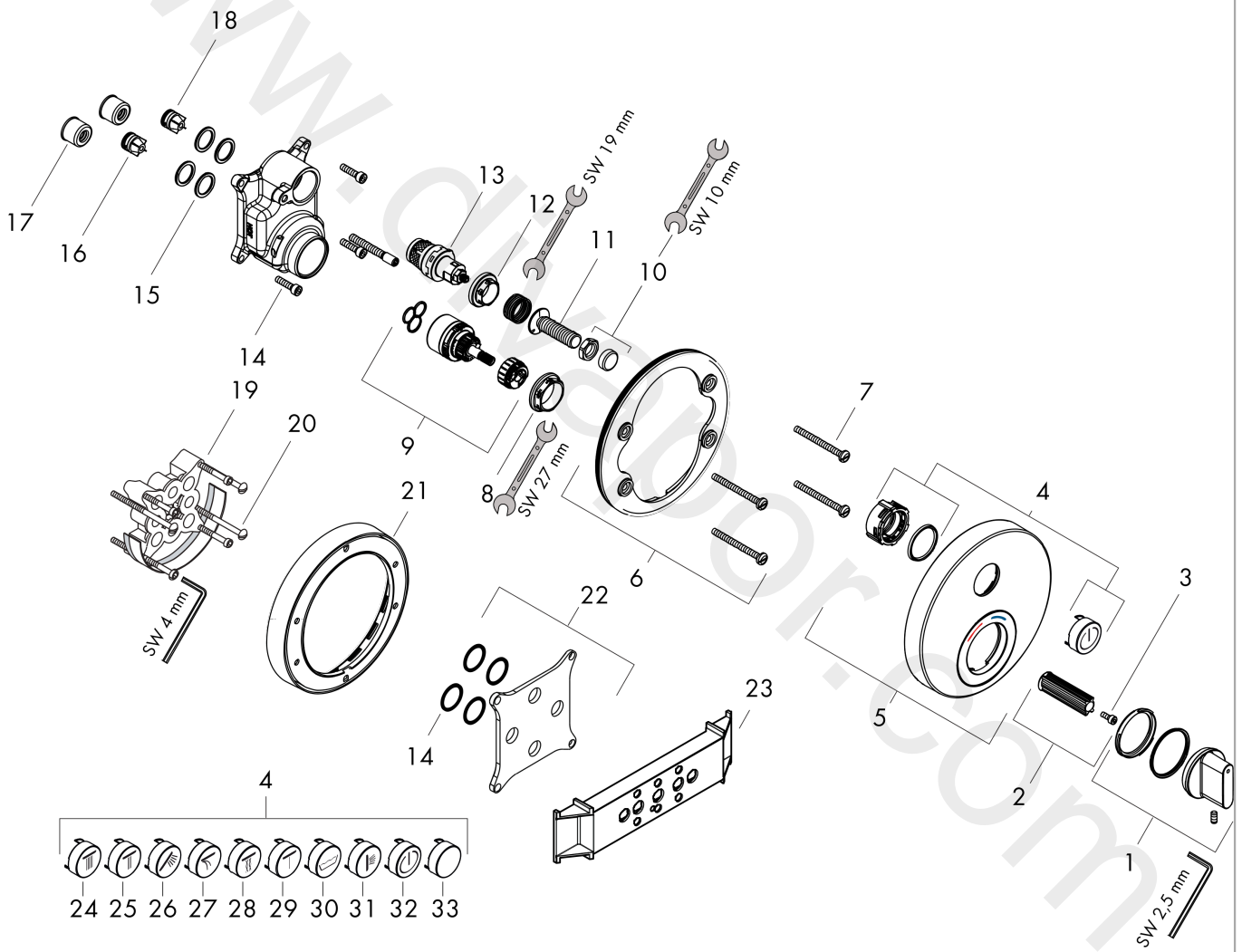


**ShowerSelect S**  
**Mixer for concealed installation for 1 function**  
 Surfaces: Article Number: **15747000**



**Exploded Drawing**

Year of production: **05/14 - 02/15**



**ShowerSelect S****Mixer for concealed installation for 1 function**Surfaces: Article Number: **15747000****Spare part list**Year of production: **05/14 - 02/15**

Pos.	Description	Article Number	Price	PU
1	handle	92350000	£ 96,00	1
2	adapter for handle	92349000	£ 9,00	1
3	hexagon socket screw M4x10	97661000	£ 6,10	1
4	set of symbols	92218000	£ 79,00	1
5	escutcheon Ø 150 mm	92351000	£ 137,00	1
6	holder for escutcheon	98793000	£ 43,00	1
7	set of fixing screws	96454000	£ 9,00	1
8	nut	98913000	£ 20,50	1
9	cartridge, assy	98303000	£ 79,00	1
10	nut and flange	92696000	£ 16,10	1
11	Select-adapter	92219000	£ 6,10	1
12	nut	98368000	£ 13,30	1
13	shut off unit	95758000	£ 110,00	1
14	set of screws	96525000	£ 9,00	1
15	O-ring 16x2	98133000	£ 3,30	1
16	non return valve (pressure-resistant up to 2 MPa)	92594000	£ 16,10	1
17	noise reduction	94073000	£ 25,00	1
18	non return valve	97980000	£ 16,10	1
19	extension 25 mm	13595000	£ 75,00	1
20	set of fixing screws	97747000	£ 3,30	1
21	extension 22 mm (Ø 150 mm)	13597000	£ 72,00	1
22	compensation set 1°	95521000	£ 173,00	1
23	fit-up aid	92540000	£ 14,10	1
24	symbol head shower Rain large	93571880	£ 9,00	1
25	symbol head shower Rain small	93572880	£ 9,00	1
26	symbol handshower	93573880	£ 9,00	1
27	symbol Flood jet	93574880	£ 9,00	1
28	symbol Whirl	93575880	£ 9,00	1
29	symbol Mono	93576880	£ 9,00	1
30	symbol tub	93577880	£ 9,00	1
31	symbol body shower	93578880	£ 9,00	1
32	symbol ON/OFF	93579880	£ 9,00	1
33	pushbutton	93955880	£ 20,50	1
a	concealed item	01800180	£ 163,00	1
b	shut off unit (special)	92361000	£ 110,00	1