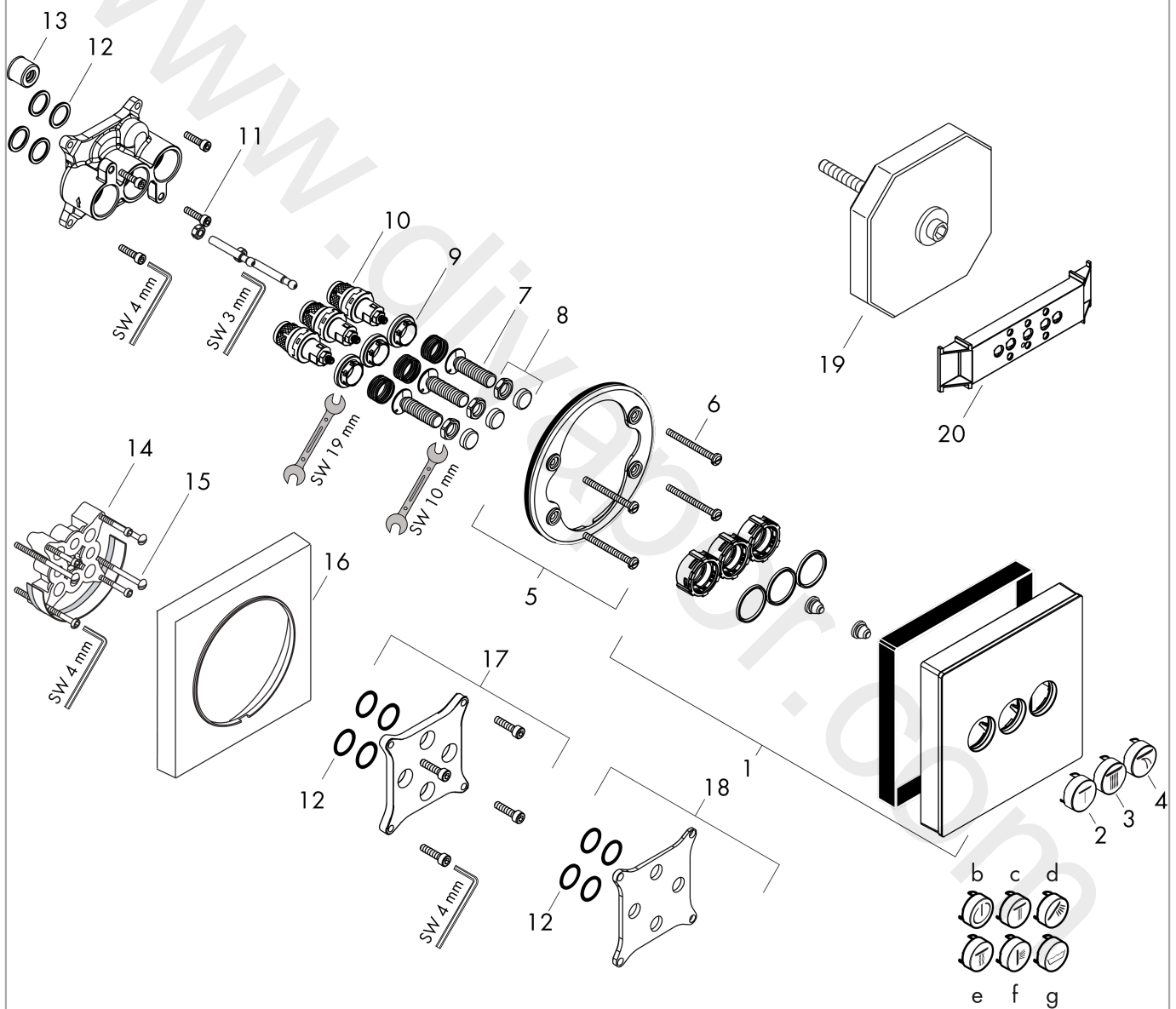


ShowerSelect Glass
Valve for concealed installation for 3 functions
 Surfaces: Article Number: **15736607**



Exploded Drawing

Year of production: **08/18 - 06/22**



ShowerSelect Glass
Valve for concealed installation for 3 functions
 Surfaces: Article Number: **15736607**



Spare part list

Year of production: **08/18 - 06/22**

Pos.	Description	Article Number	Price	PU
1	escutcheon 155 / 155 mm	92217000	£ 110,00	1
2	symbol Mono	93576880	£ 9,00	1
3	symbol head shower Rain large	93571880	£ 9,00	1
4	symbol Flood jet	93574880	£ 9,00	1
5	holder for escutcheon	98793000	£ 43,00	1
6	set of fixing screws	96454000	£ 9,00	1
7	Select-adapter	92219000	£ 6,10	1
8	nut and flange	92696000	£ 16,10	1
9	nut	98368000	£ 13,30	1
10	shut off unit	95758000	£ 110,00	1
11	set of screws	96525000	£ 9,00	1
12	O-ring 16x2	98133000	£ 3,30	1
13	noise reduction	94073000	£ 25,00	1
14	extension 25 mm	13595000	£ 75,00	1
15	set of fixing screws	97747000	£ 3,30	1
16	extension 22 mm	13593000	£ 79,00	1
17	extension 10 mm for iBox universal with shut-off unit	92332000	£ 137,00	1
18	compensation set 1°	95521000	£ 173,00	1
19	flushing unit complete	15956000	-	1
20	fit-up aid	92540000	£ 14,10	1
a	concealed item	01800180	£ 163,00	1
b	symbol ON/OFF	93579880	£ 9,00	1
c	symbol head shower Rain small	93572880	£ 9,00	1
d	symbol handshower	93573880	£ 9,00	1
e	symbol Whirl	93575880	£ 9,00	1
f	symbol body shower	93578880	£ 9,00	1
g	symbol tub	93577880	£ 9,00	1
h	Grease	90920000	£ 16,10	1