

## Ecostat E

Thermostat for concealed installation for 1 function

Finish: **Chrome** Article Number: **15707007**



### Description

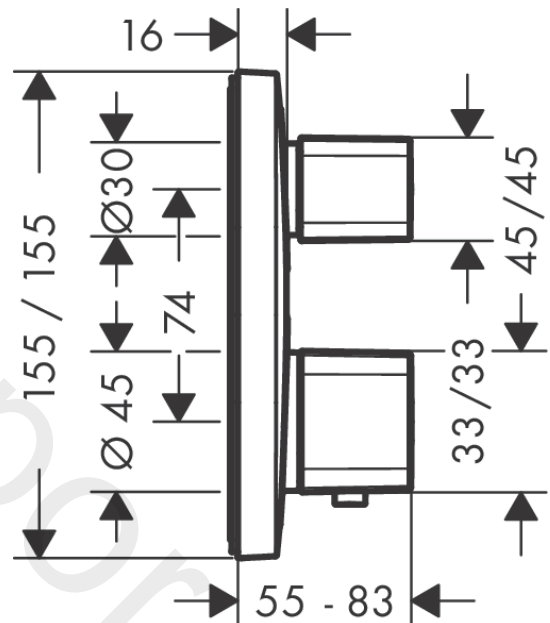
#### product features

- 1 function
- thermostat cartridge
- maximum flow rate at 3 bar: 26,5 l/min
- min. operating pressure: 1 bar
- max. operating pressure: 10 bar
- Safety stop at 40 °C
- temperature limitation adjustable
- connection type: basic set

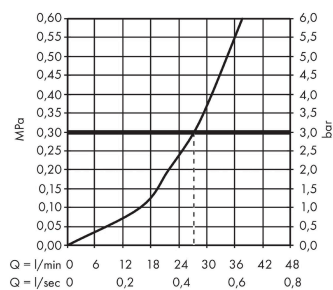
### Product image



### Scale drawing



### Flowchart

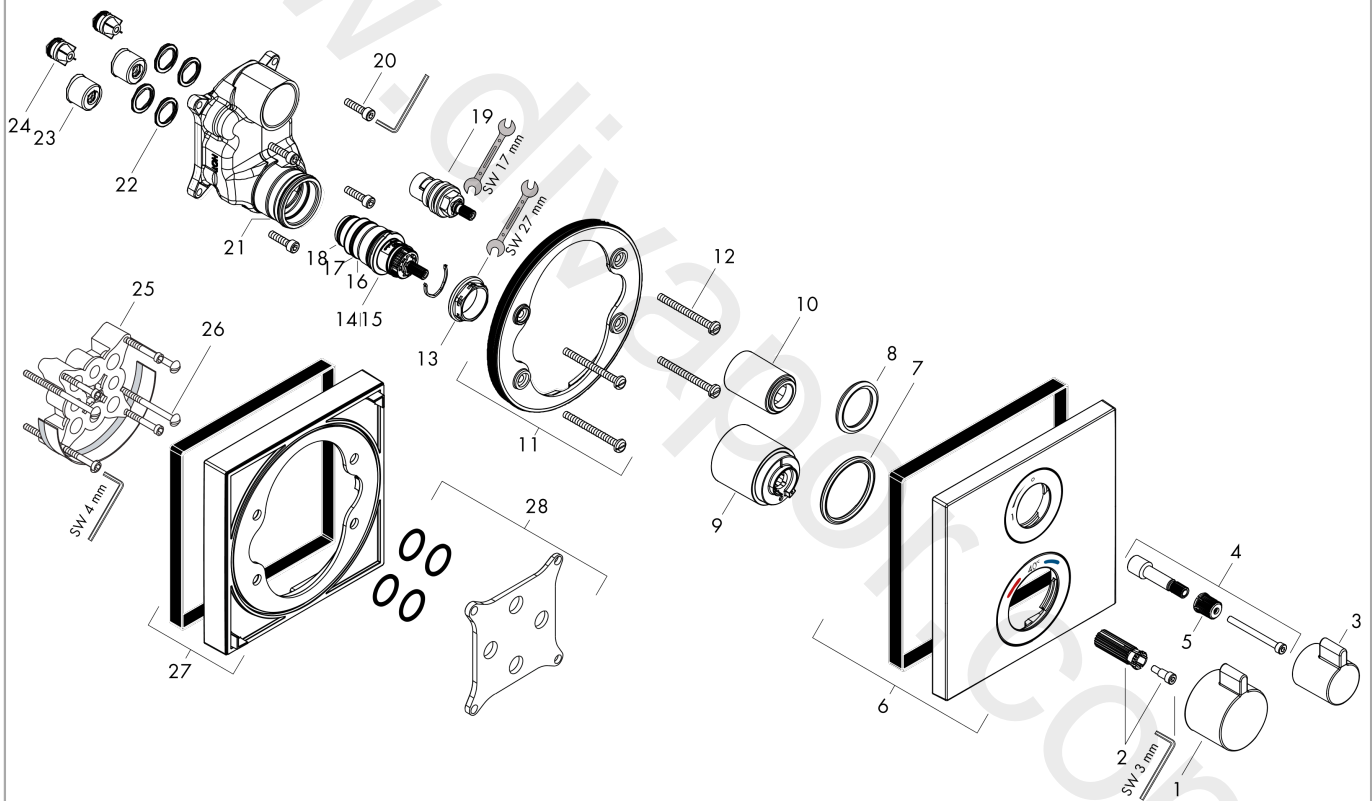


**Ecostat E**  
**Thermostat for concealed installation for 1 function**  
 Finish: **Chrome** Article Number: **15707007**



**Exploded Drawing**

Year of production: >07/18



## Ecostat E

Thermostat for concealed installation for 1 function

Finish: **Chrome** Article Number: **15707007**



### Spare part list

Year of production: >07/18

Pos.	Description	Article Number	Price	PU
1	handle for thermostat	92273000	£ 79,00	1
2	handle fixing set	95843000	£ 9,00	1
3	handle	92280000	£ 51,00	1
4	adapter for handle	95252000	£ 64,00	1
5	handle fixing set	98932000	£ 16,10	1
6	escutcheon 155 / 155 mm	92278000	£ 96,00	1
7	escutcheon for exchanged connections	92388000	£ 96,00	1
8	O-ring 44x4	98471000	£ 9,00	1
9	O-ring 30x5	98153000	£ 3,30	1
10	sleeve	92216000	£ 35,00	1
11	sleeve	96446000	£ 35,00	1
12	holder for escutcheon	98793000	£ 43,00	1
13	set of fixing screws	96454000	£ 9,00	1
14	nut	98913000	£ 20,50	1
15	thermostat cartridge	98282000	£ 110,00	1
16	O-ring 25x2,5	92146000	£ 9,00	1
17	O-ring 25x1,5	98146000	£ 3,30	1
18	O-ring 20x1,5	98197000	£ 3,30	1
19	shut off unit right closing	94009000	£ 43,00	1
20	set of screws	96525000	£ 9,00	1
21	O-ring 36x2	98156000	£ 3,30	1
22	O-ring 16x2	98133000	£ 3,30	1
23	set of non return valves DW 15	97350000	£ 20,50	1
24	noise reduction	94073000	£ 25,00	1
25	extension 25 mm	13595000	£ 75,00	1
26	set of fixing screws	97747000	£ 3,30	1
27	extension 22 mm	15597000	£ 74,00	1
28	compensation set 1°	95521000	£ 173,00	1