

**Ecostat E**  
**Thermostat HighFlow for concealed installation**  
 Finish: **Chrome** Article Number: **15706000**



### Description

**product features**

- thermostat cartridge
- maximum flow rate at 3 bar: 59 l/min
- flow rate upper outlet: 42 l/min
- flow rate lower outlet: 42 l/min
- min. operating pressure: 1 bar
- max. operating pressure: 10 bar
- safety stop at 40 °C
- temperature limitation adjustable
- connection type: basic set
- WRAS 2305061
- WRAS 2305061 - Approval letter 2305061

### Article Details

Price excl. VAT

483,33 £

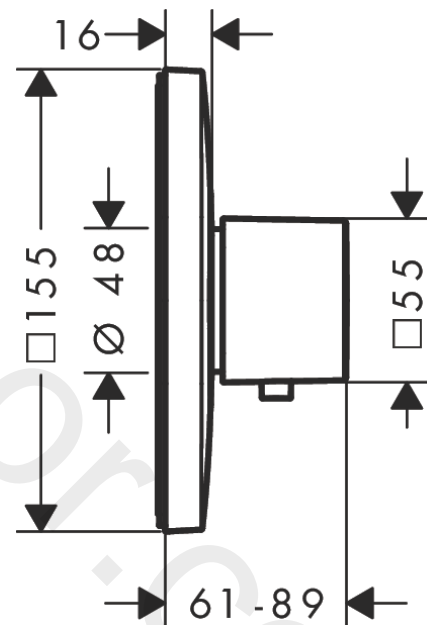
### Technology



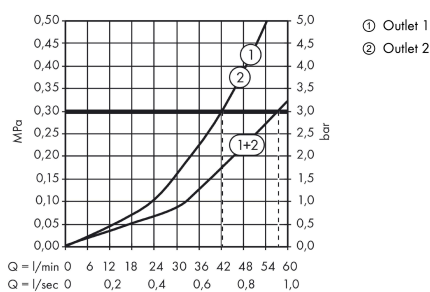
### Product image



### Scale drawing



### Flowchart

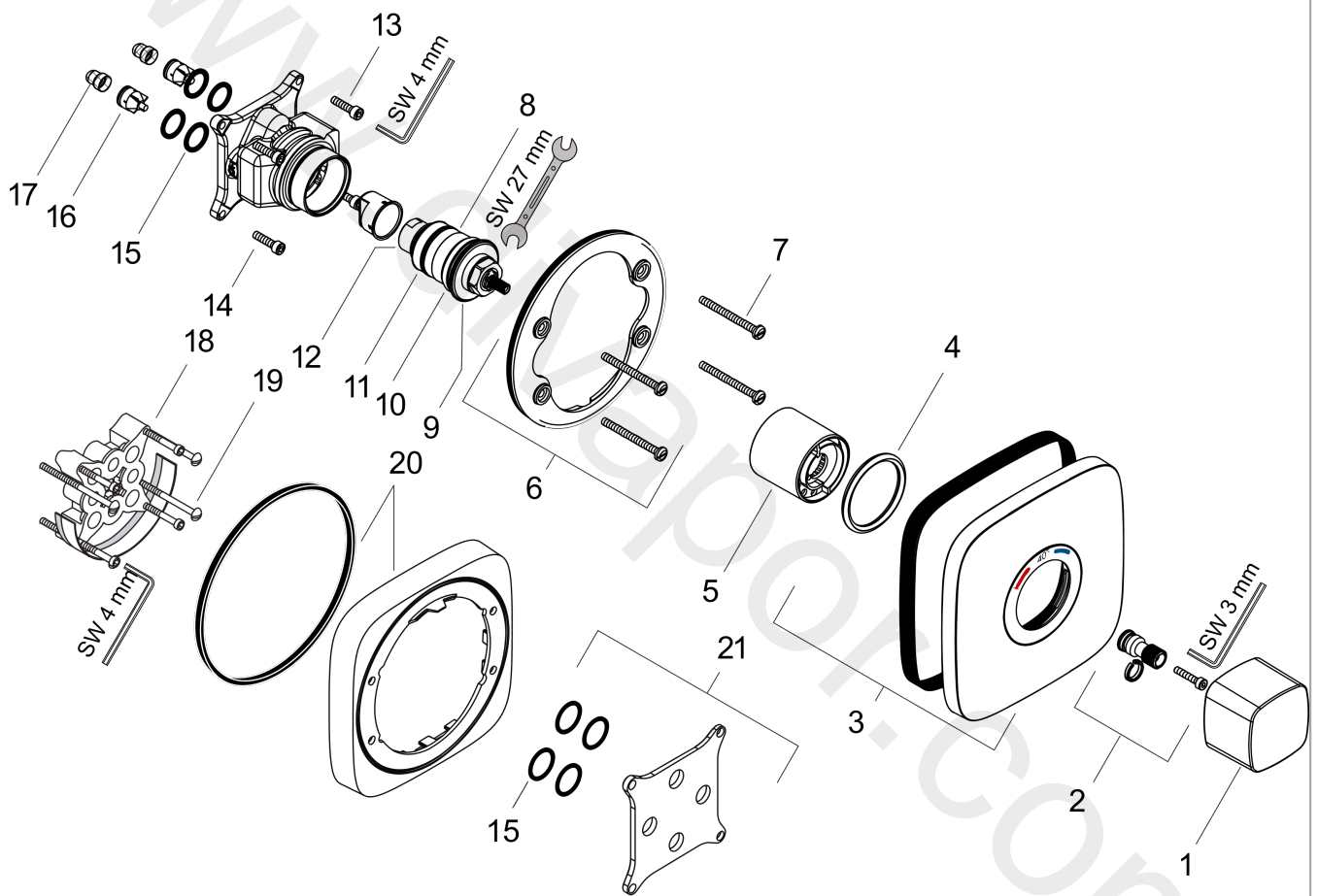


**Ecostat E**  
**Thermostat HighFlow for concealed installation**  
 Finish: **Chrome** Article Number: **15706000**



**Exploded Drawing**

Year of production: >05/14



**Ecostat E**  
**Thermostat HighFlow for concealed installation**  
 Finish: **Chrome** Article Number: **15706000**



## Spare part list

Year of production: >05/14

Pos.	Description	Article Number	Price	PU
1	handle for thermostat	95906000	£ 96,00	1
2	adapter for handle	96435000	£ 20,50	1
3	escutcheon 155 / 155 mm	92277000	£ 137,00	1
4	O-ring 48x5	98174000	£ 3,30	1
5	sleeve	92276000	£ 35,00	1
6	holder for escutcheon	98793000	£ 43,00	1
7	set of fixing screws	96454000	£ 9,00	1
8	thermostat cartridge	96633000	£ 137,00	1
9	O-ring 43x1,5	98148000	£ 3,30	1
10	sealing set	96636000	£ 51,00	1
11	O-ring 38x2,5	98198000	£ 6,10	1
12	O-ring 34x2	98383000	£ 6,10	1
13	O-ring 26x2	98147000	£ 3,30	1
14	set of screws	96525000	£ 9,00	1
15	O-ring 16x2	98133000	£ 3,30	1
16	set of non return valves DW 15	97350000	£ 20,50	1
17	filter	98513000	£ 3,30	1
18	extension 25 mm	13595000	£ 75,00	1
19	set of fixing screws	97747000	£ 3,30	1
20	extension 22 mm	15597000	£ 74,00	1
21	compensation set 1°	95521000	£ 173,00	1
a	concealed item	01800180	£ 163,00	1
b	adapter for exchanged connections	93181000	£ 275,00	1
c	Grease	90920000	£ 16,10	1