

Ecostat E

Thermostat for concealed installation

Finish: **Chrome** Article Number: **15705000**



Description

product features

- thermostat cartridge
- maximum flow rate at 3 bar: 37 l/min
- min. operating pressure: 1 bar
- max. operating pressure: 10 bar
- safety stop at 40 °C
- temperature limitation adjustable
- connection type: basic set
- WRAS 2104013
- WRAS 2104013 - Approval letter

Article Details

Price excl. VAT

300,00 £

Technology



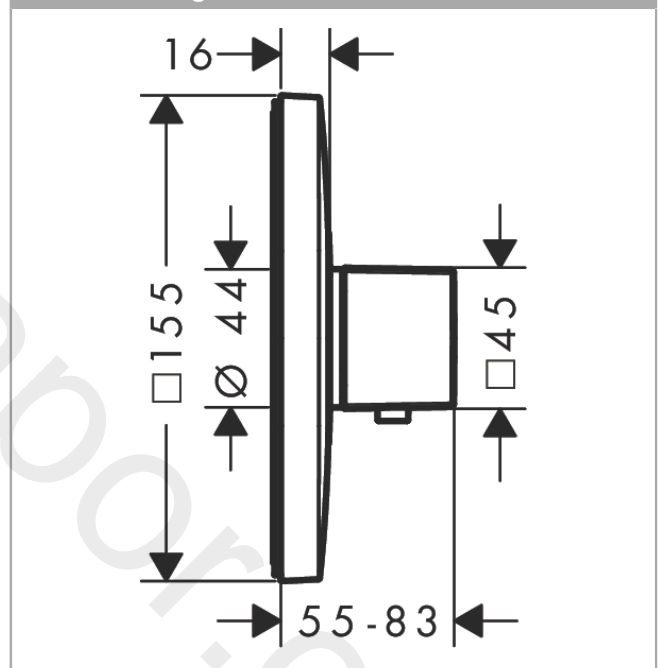
Certificates / Sustainability



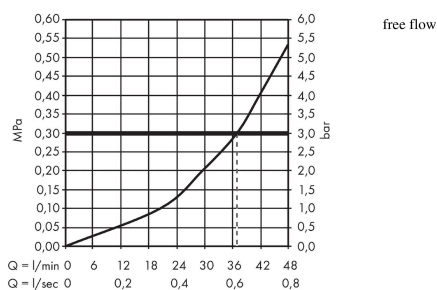
Product image



Scale drawing



Flowchart

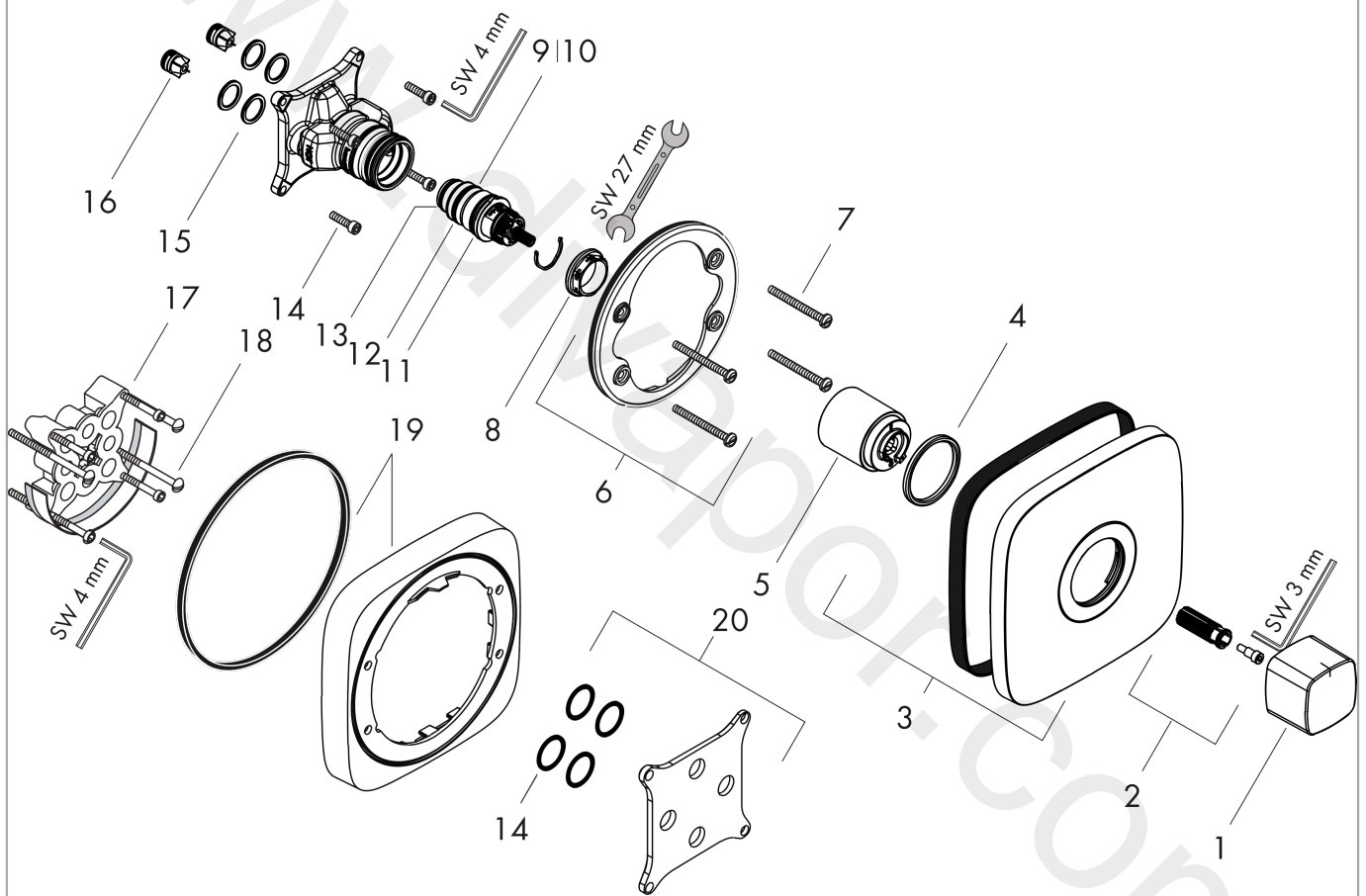


Ecostat E
Thermostat for concealed installation
 Finish: **Chrome** Article Number: **15705000**



Exploded Drawing

Year of production: >05/14



Ecostat E

Thermostat for concealed installation

Finish: **Chrome** Article Number: **15705000**



Spare part list

Year of production: >05/14

Pos.	Description	Article Number	Price	PU
1	handle for thermostat	92273000	£ 79,00	1
2	handle fixing set	95843000	£ 9,00	1
3	escutcheon 155 / 155 mm	92274000	£ 64,00	1
4	O-ring 44x4	98471000	£ 9,00	1
5	sleeve	92216000	£ 35,00	1
6	holder for escutcheon	98793000	£ 43,00	1
7	set of fixing screws	96454000	£ 9,00	1
8	nut	98913000	£ 20,50	1
9	thermostat cartridge	98282000	£ 110,00	1
10	cartridge for exchanged connections	92373000	£ 275,00	1
11	O-ring 25x2,5	92146000	£ 16,10	1
12	O-ring 26x1,5	98390000	£ 3,30	1
13	O-ring 20x1,5	98197000	£ 3,30	1
14	set of screws	96525000	£ 9,00	1
15	O-ring 16x2	98133000	£ 3,30	1
16	set of non return valves DW 15	97350000	£ 20,50	1
17	extension 25 mm	13595000	£ 75,00	1
18	set of fixing screws	97747000	£ 3,30	1
19	extension 22 mm	15597000	£ 74,00	1
20	compensation set 1°	95521000	£ 173,00	1
a	concealed item	01800180	£ 163,00	1
b	adapter for exchanged connections	93181000	£ 275,00	1