

Basic set for 3-hole rim mounted single lever bath mixer
 Finish: n.a. Article Number: 15487181



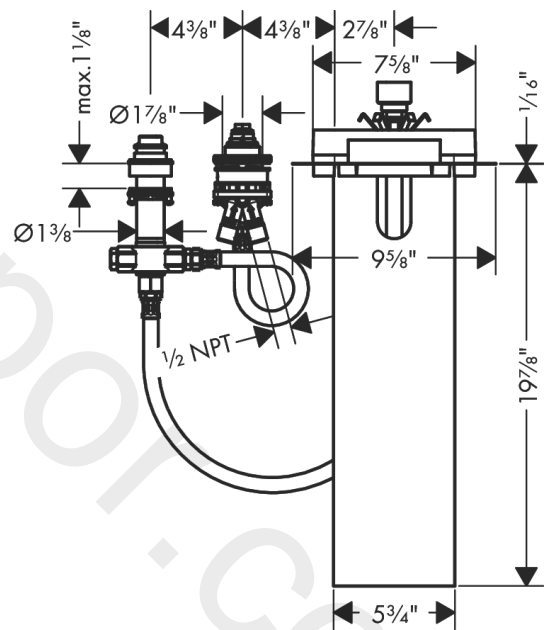
product features

- sBox for quiet, smooth and protected hose guidance
- maximum pull-out length of hand shower: 1,45 m
- suitable for installation on bath rim
- connection thread: NPT 1/2

Product image



Scale drawing

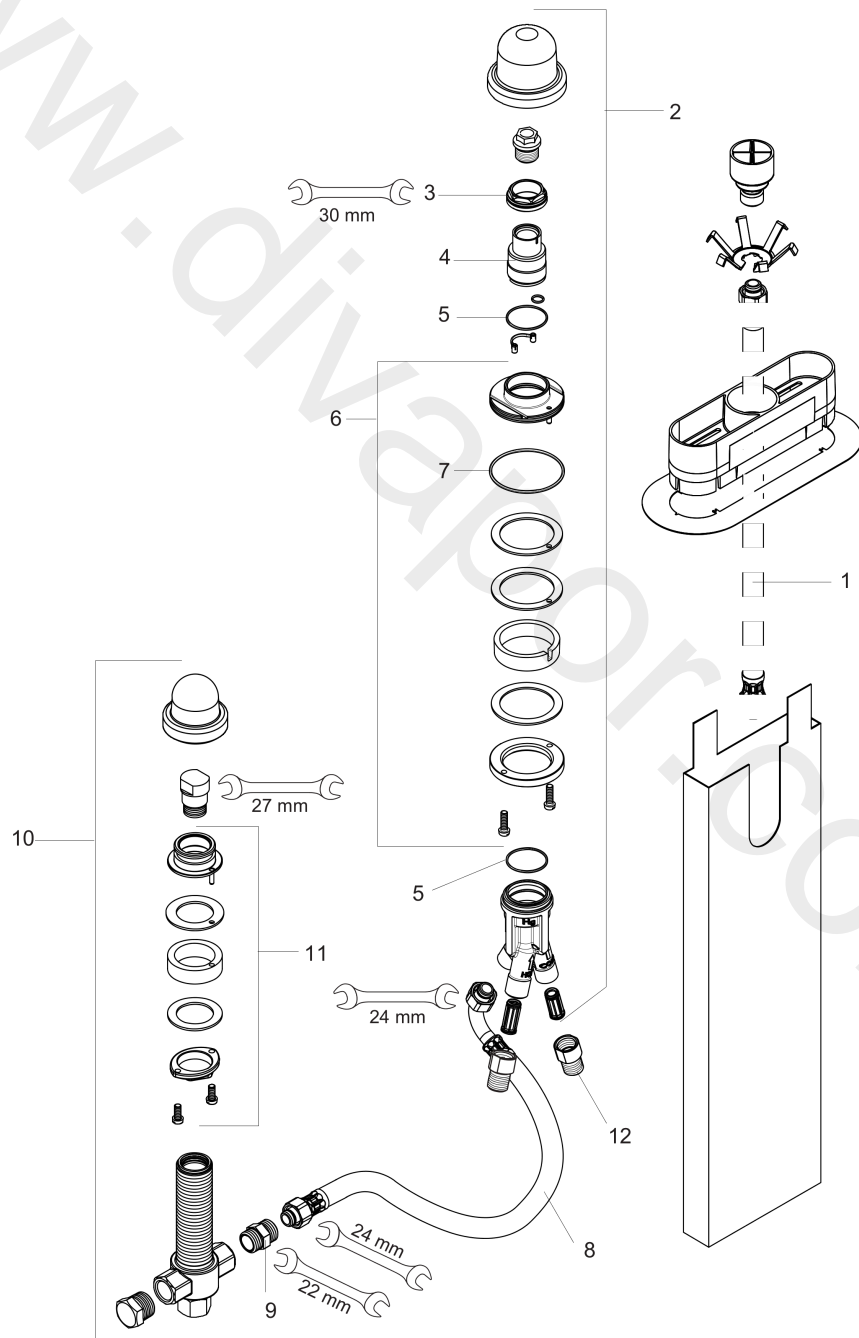


Basic set for 3-hole rim mounted single lever bath mixer
 Finish: n.a. Article Number: 15487181



Exploded Drawing

Year of production: >01/20



Basic set for 3-hole rim mounted single lever bath mixer

Finish: n.a. Article Number: 15487181



Spare part list

Year of production: >01/20

Pos.		Article Number	Price	PU
1	pressure hose	96565000	£ 43,00	1
2	stop valve cpl.	95809000	£ 370,00	1
3	nut	97209000	£ 16,10	1
4	O-ring 9x1,5	98117000	£ 3,30	1
5	O-ring 35x1,5	92114000	£ 6,10	1
6	fixing set	95808000	£ 173,00	1
7	O-ring 62x2	92226000	£ 3,30	1
8	connection hose 800 mm G $\frac{1}{2}$ x G $\frac{1}{2}$	25963000	£ 64,00	1
9	connecting thread	97719000	£ 20,50	1
10	selector housing	96125000	£ 231,00	1
11	fixing set for 4 hole bath mixer spout	96080000	£ 51,00	1
12	adapter for body shower	88746000	-	1