

Basic set for 3-hole rim mounted single lever bath mixer
 Finish: n.a. Article Number: **15487180**



product features

- sBox for quiet, smooth and protected hose guidance
- drilling diameter: 35 mm, 50 mm
- clamping range: 0 - 30 mm
- maximum pull-out length of hand shower: 1,45 m
- suitable for installation on bath rim
- connection thread: G 1/2
- connection hose length: 600 mm
- connection dimension: DN15
- bath rim width at least 100 mm
- drilling diameter on bath tub: two drilled holes Ø 50/51 mm and connection by sawing out required (consider template)

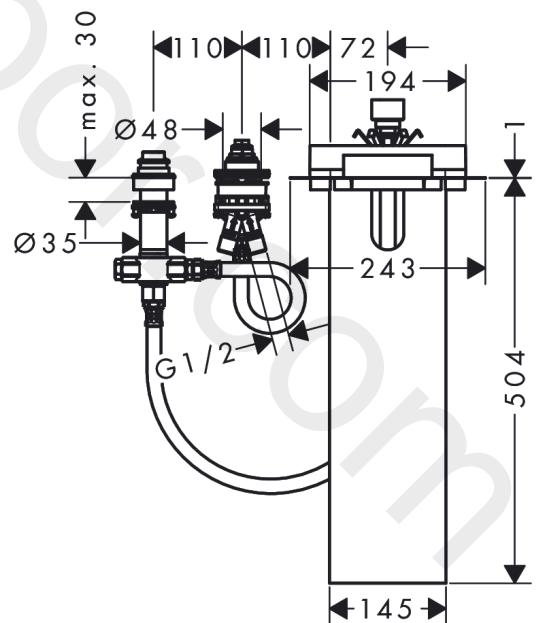
Article Details

Price excl. VAT 420,83 £

Product image



Scale drawing

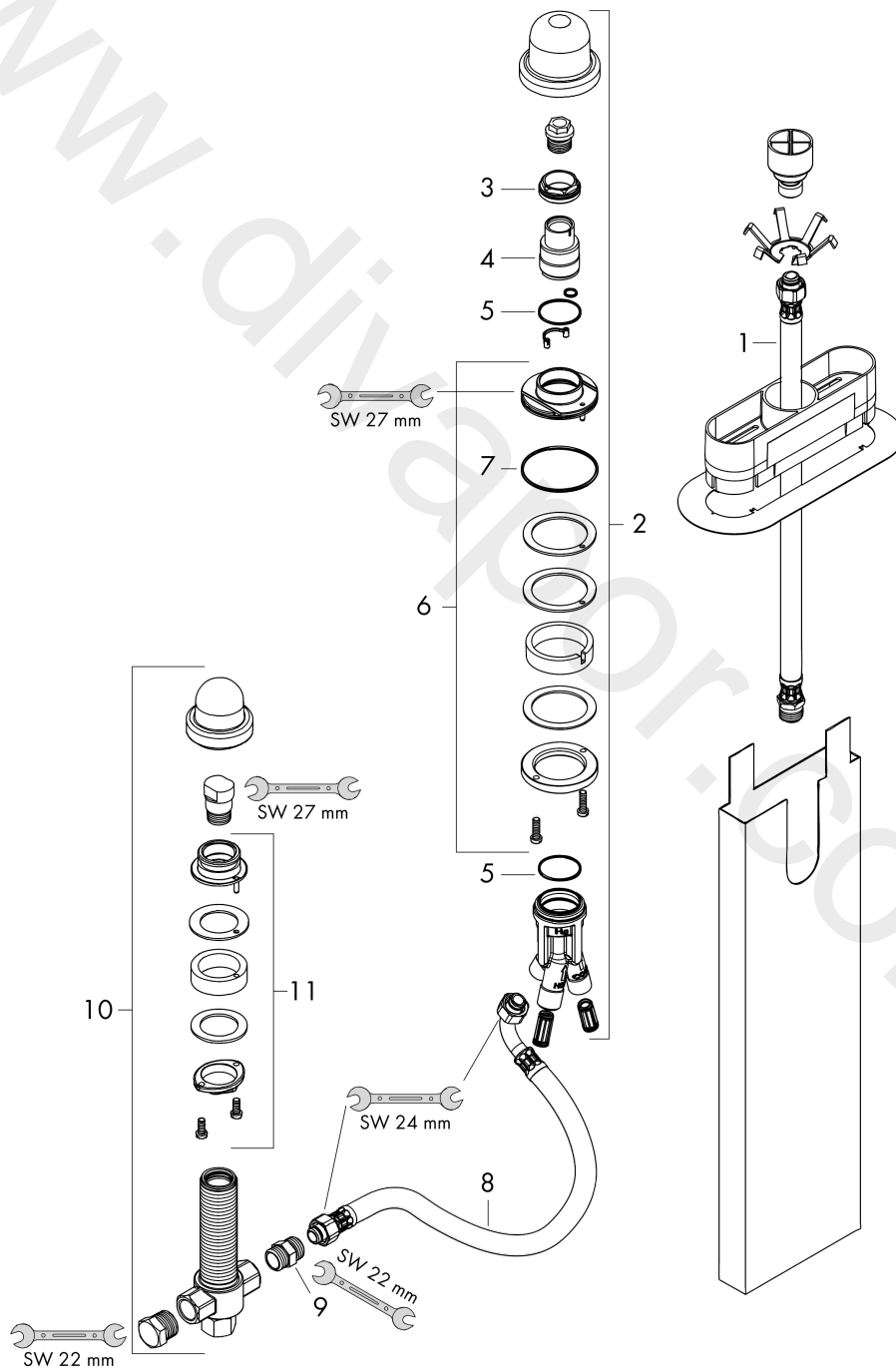


Basic set for 3-hole rim mounted single lever bath mixer
Finish: n.a. Article Number: 15487180



Exploded Drawing

Year of production: >06/19



Basic set for 3-hole rim mounted single lever bath mixer

Finish: n.a. Article Number: **15487180**



Spare part list

Year of production: >06/19

Pos.		Article Number	Price	PU
1	pressure hose	96565000	£ 43,00	1
2	fixing set for 4 hole bath mixer spout	96080000	£ 51,00	1
3	nut	97209000	£ 16,10	1
4	O-ring 9x1,5	98117000	£ 3,30	1
5	O-ring 35x1,5	92114000	£ 6,10	1
6	fixing set	95808000	£ 173,00	1
7	O-ring 62x2	92226000	£ 3,30	1
8	connection hose 800 mm G $\frac{1}{2}$ x G $\frac{1}{2}$	25963000	£ 64,00	1
9	connecting thread	97719000	£ 20,50	1
10	stop valve cpl.	95809000	£ 370,00	1
11	selector housing	96125000	£ 231,00	1