

Basic set for 4-hole rim mounted bath mixer

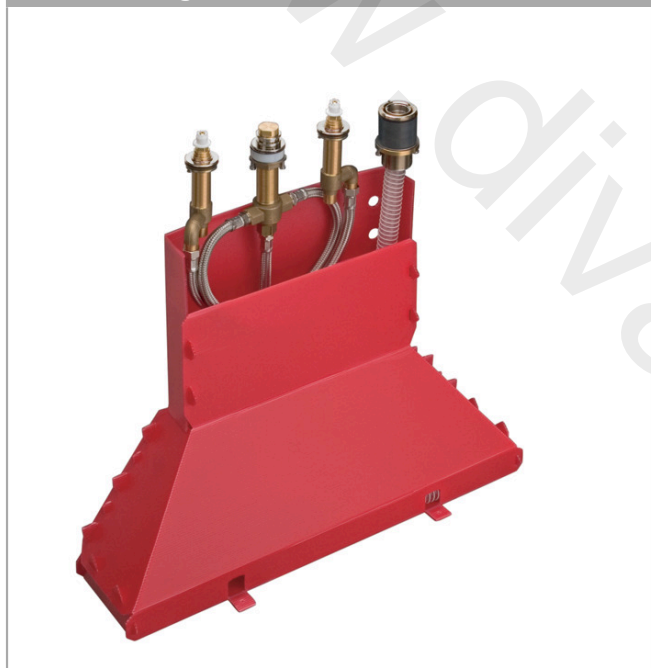
Finish: n.a. Article Number: 15480187



product features

- maximum pull-out length of hand shower: 1.10 m
- connection dimension: DN15

Product image

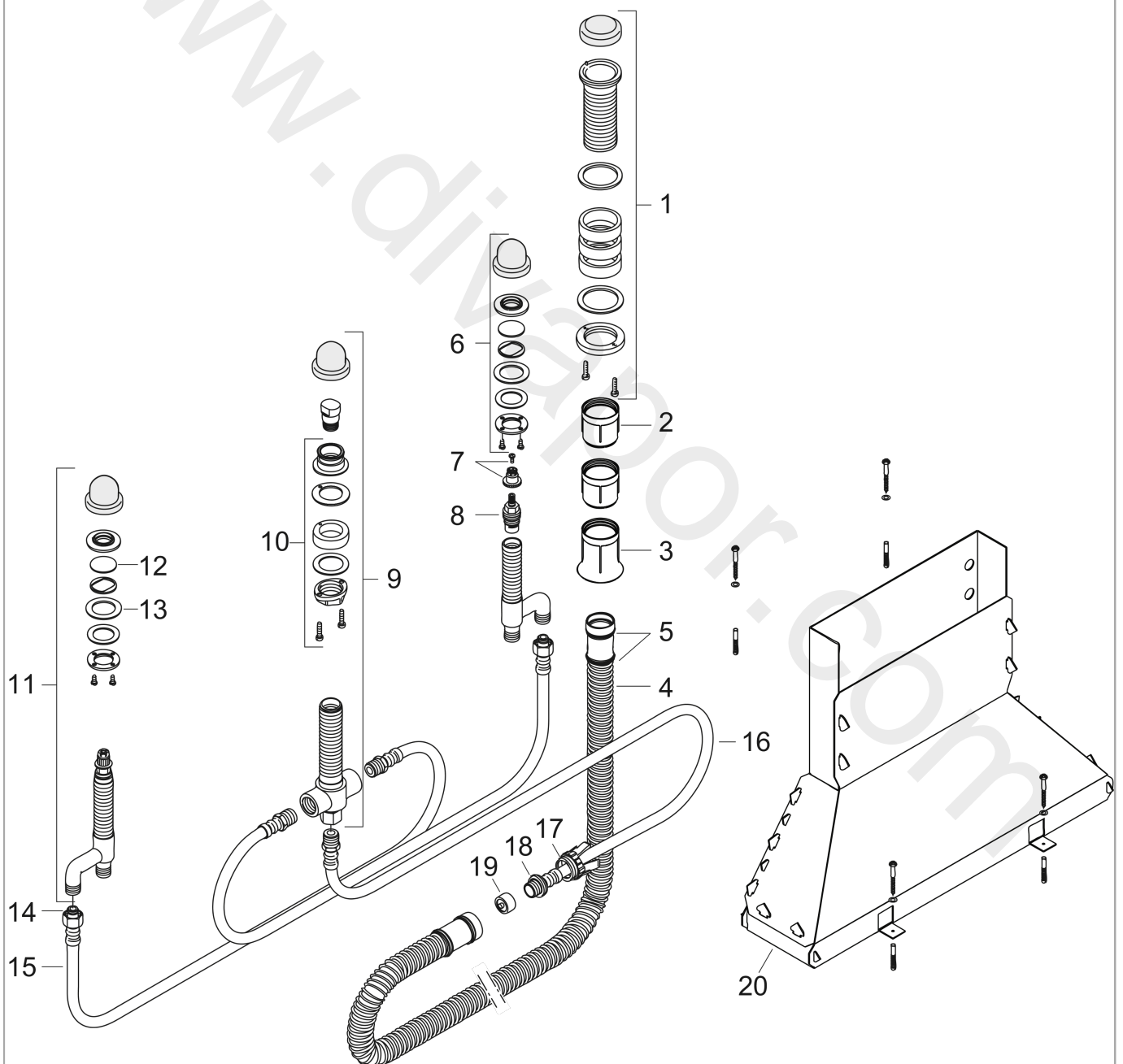


Basic set for 4-hole rim mounted bath mixer
Finish: n.a. Article Number: 15480187



Exploded Drawing

Year of production: >12/20



Basic set for 4-hole rim mounted bath mixer

Finish: n.a. Article Number: 15480187



Spare part list

Year of production: >12/20

Pos.		Article Number	Price	PU
1	fixing set for Secuflex	96072000	£ 79,00	1
2	sleeve	98806000	£ 6,10	1
3	guide tube	98807000	£ 6,10	1
4	Secuflex hose 2,25 m	94108000	£ 173,00	1
5	O-ring 35x3	98435000	£ 3,30	1
6	fixing set for shut off unit	96078000	£ 35,00	1
7	handle fixing set	94184000	£ 6,10	1
8	shut off unit right closing	94009000	£ 43,00	1
9	selector housing	96125000	£ 231,00	1
10	fixing set for 4 hole bath mixer spout	96080000	£ 51,00	1
11	stop valve cpl.	92944000	£ 173,00	1
12	O-ring 40x3	92634000	£ 3,30	1
13	lever collar	97548000	£ 3,30	1
14	O-ring 11x2	98127000	£ 3,30	1
15	pressure hose	96565000	£ 43,00	1
16	pressure hose	94174000	£ 64,00	1
17	expended nut for Secuflex	96074000	£ 9,00	1
18	O-ring 27x2,5	98149000	£ 3,30	1
19	plug	97568000	£ 9,00	1
20	Secuflexbox	28389000	£ 64,00	1
a	silicone sprayer 10 ml	97864000	£ 43,00	1