

PuraVida Bath spout

Finish: **Chrome** Article Number: **15412000**



Description

product features

- 1 function
- projection: 196 mm
- wall-mounted
- maximum flow rate at 3 bar: 26,7 l/min
- connection dimension: DN20
- spray type: normal spray
- WRAS 2008703
- WRAS 2008703 - WRAS Approval Letter

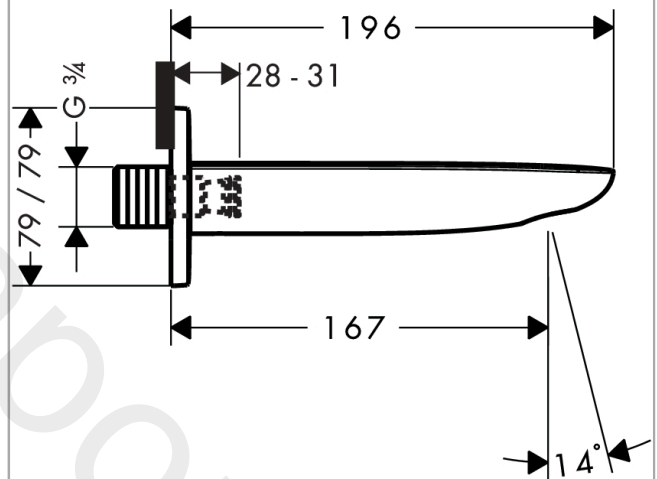
Article Details

Price excl. VAT 400,00 £

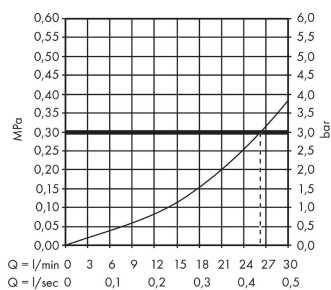
Product image



Scale drawing



Flowchart



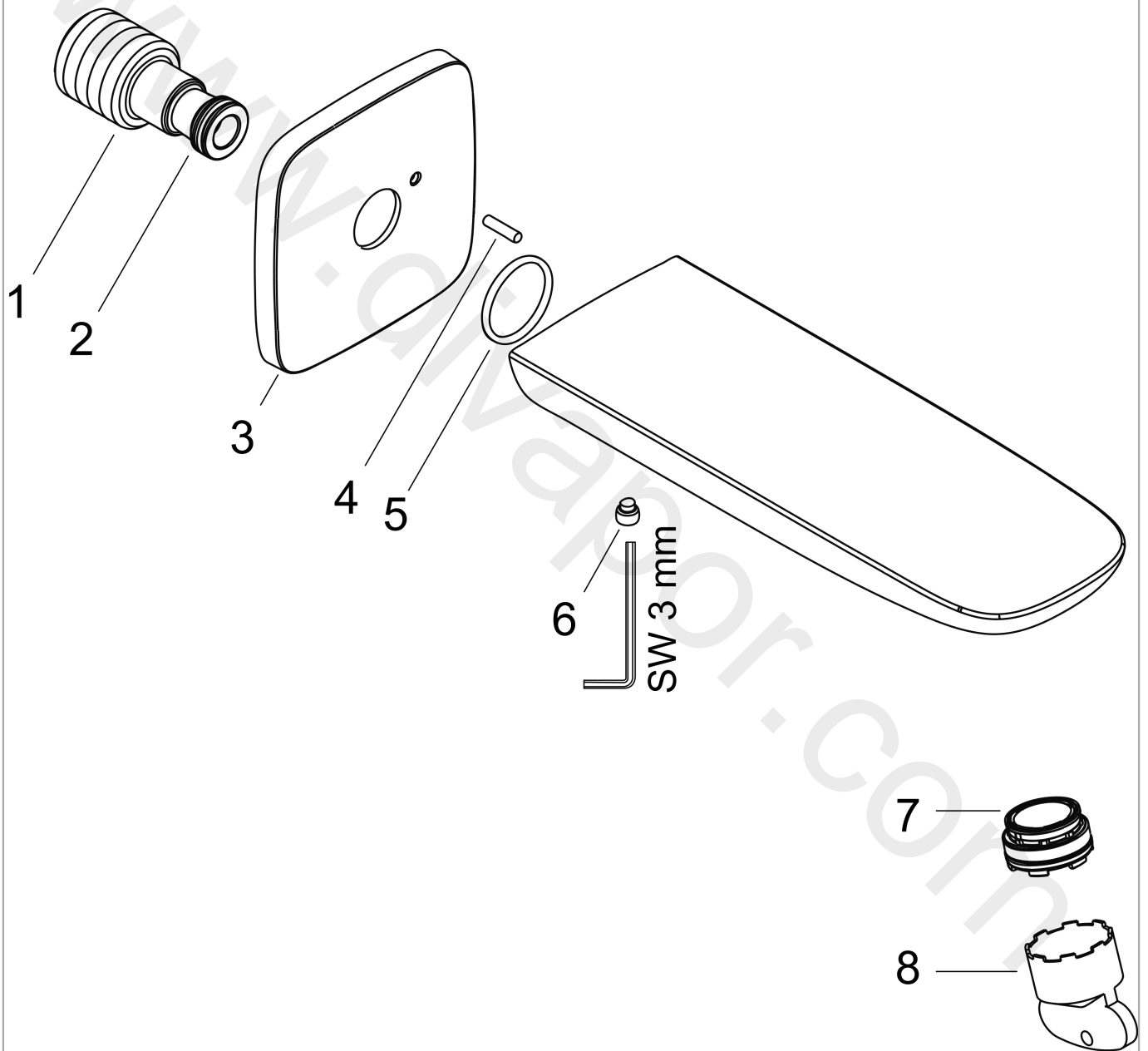
The consumption was measured in combination with the appropriate fittings (thermosta/mixer/ in-wall valve) to reflect actual application in practice.

PuraVida
Bath spout
 Finish: **Chrome** Article Number: **15412000**



Exploded Drawing

Year of production: >07/09



**PuraVida
Bath spout**

Finish: **Chrome** Article Number: **15412000**



Spare part list

Year of production: >07/09

Pos.	Description	Article Number	Price	PU
1	connecting thread	97846000	£ 51,00	1
2	O-ring 13x2	98128000	£ 3,30	1
3	escutcheon 79 / 79 mm	95283000	£ 43,00	1
4	pin	97766000	£ 3,30	1
5	O-Ring 22x2	98185000	£ 3,30	1
6	hollow set screw M6x6	97660000	£ 3,30	1
7	aerator M24x1 (30 l/min)	98998000	£ 35,00	1
8	special tool	95290000	£ 9,00	1
a	connecting thread G½	95626000	£ 43,00	1