

Versostat²

Bath thermostat for exposed installation

Finish: **Chrome** Article Number: **15348000**



Description

product features

- projection 200 mm
- 2 functions
- thermostat cartridge
- maximum flow rate at 3 bar: 20 l/min
- safety stop at 40 °C
- temperature limitation adjustable
- non-return valve
- with silencer
- suitable for continuous flow water heaters
- connection dimension: DN15
- connection type: s-shaped connections
- wall-mounted
- centre distance: 150 ± 12 mm
- dirt filter included
- WRAS 2205040
- WRAS 2205040 - Approval letter

Article Details

Price excl. VAT

300,00 £

Technology



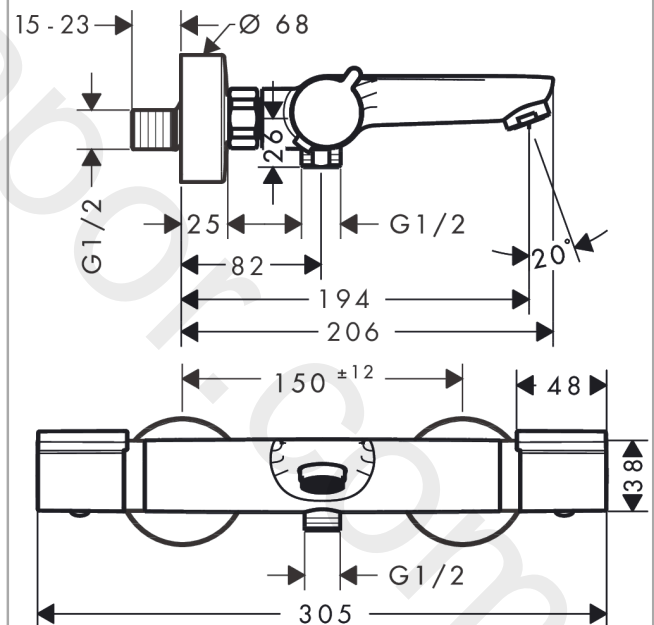
Certificates / Sustainability



Product image



Scale drawing



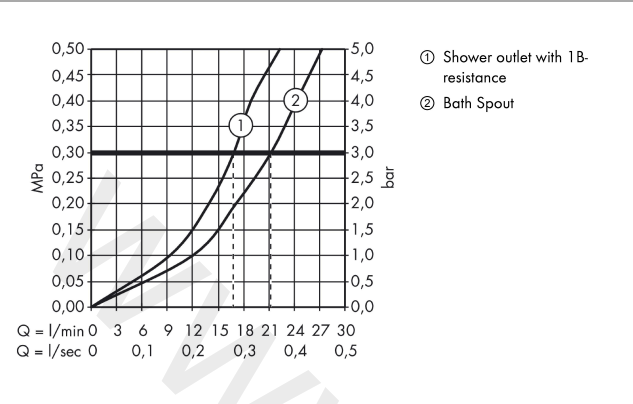
Versostat²

Bath thermostat for exposed installation

Finish: **Chrome** Article Number: **15348000**



Flowchart



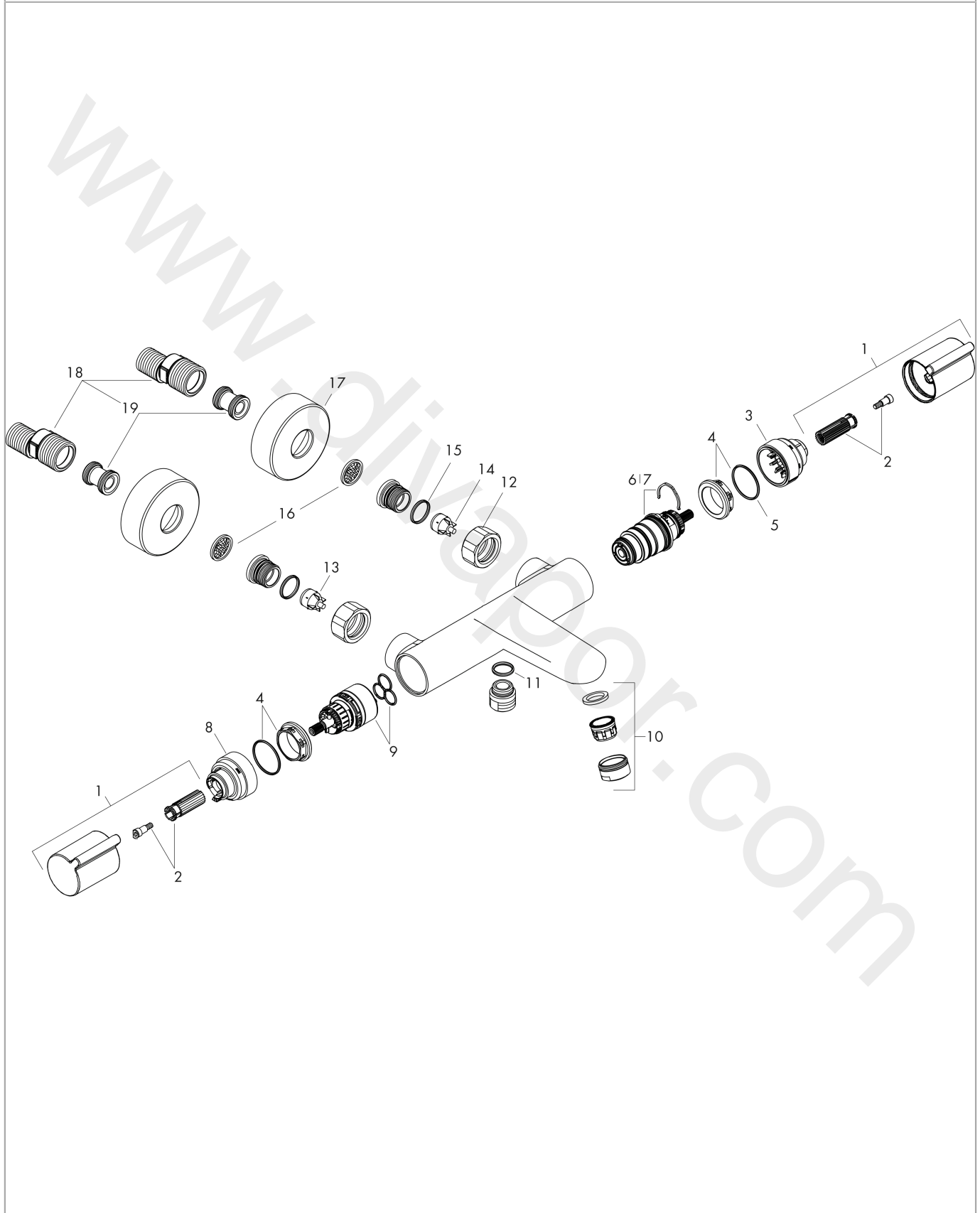
www.divapor.com

Versostat²
Bath thermostat for exposed installation
 Finish: **Chrome** Article Number: **15348000**



Exploded Drawing

Year of production: >01/14



Versostat²

Bath thermostat for exposed installation

Finish: **Chrome** Article Number: **15348000**



Spare part list

Year of production: >01/14

Pos.	Description	Article Number	Price	PU
1	handle	92200000	£ 51,00	1
2	handle fixing set	95843000	£ 9,00	1
3	safety set	92199000	£ 96,00	1
4	nut	98913000	£ 20,50	1
5	O-ring 26x1,5	98390000	£ 3,30	1
6	thermostat cartridge	98282000	£ 110,00	1
7	cartridge for exchanged connections	92373000	£ 275,00	1
8	safety set	95840000	£ 20,50	1
9	shut off unit with selector	98283000	£ 79,00	1
10	aerator M24x1 (30 l/min)	96512000	£ 16,10	1
11	O-ring 14x2	98129000	£ 3,30	1
12	set of nuts	96157000	£ 35,00	1
13	non return valve (pressure-resistant up to 2 MPa)	93136000	£ 35,00	1
14	non return valve	96737000	£ 35,00	1
15	O-ring 17x1,5	98137000	£ 3,30	1
16	filter packing	96922000	£ 9,00	1
17	escutcheon Ø 68 mm	96467000	£ 20,50	1
18	set of S-unions (±12 mm)	94140000	£ 51,00	1
19	noise reduction	96429000	£ 6,10	1
a	set of S-unions (±32 mm)	98592000	£ 43,00	1