



**RainSelect**

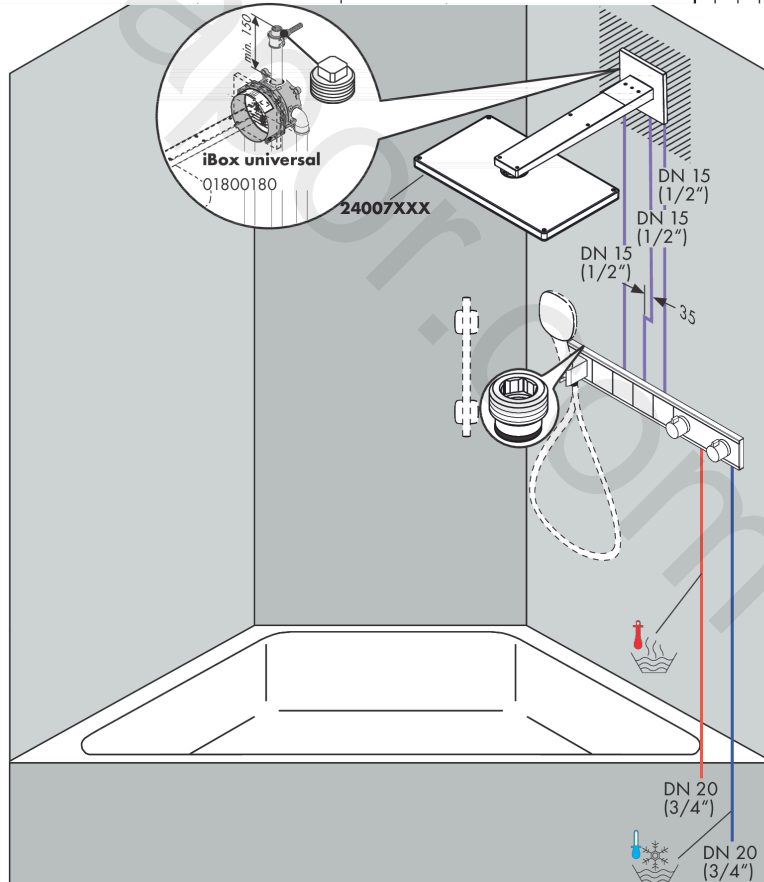
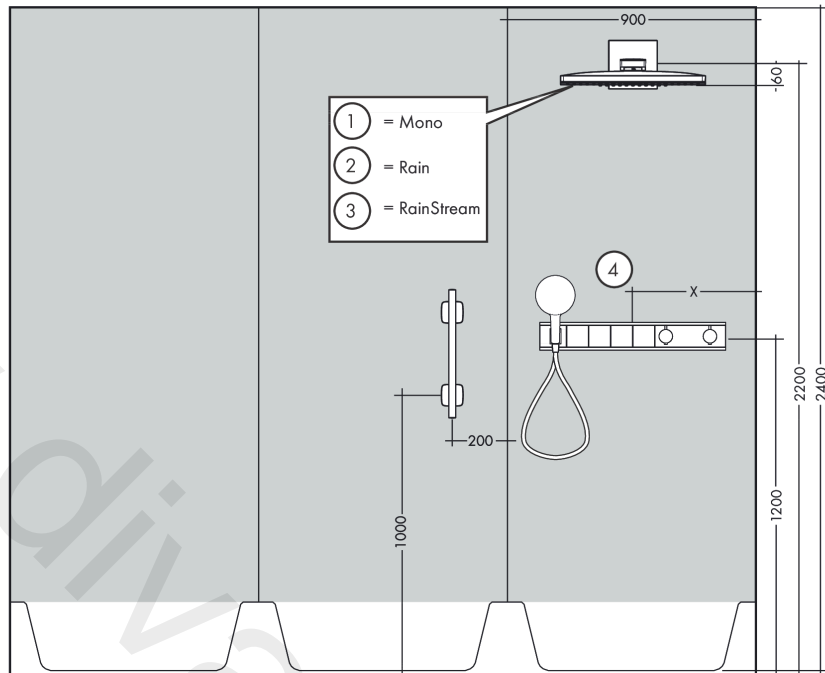
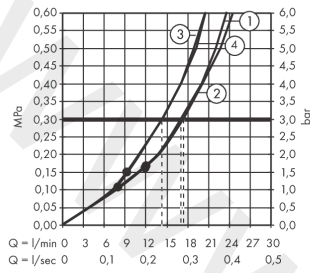
**Basic set for 4 functions**

Finish: n.a. Article Number: **15312180**



**Installation examples**

**RainSelect**  
1531218X / 15357XXX



**RainSelect**

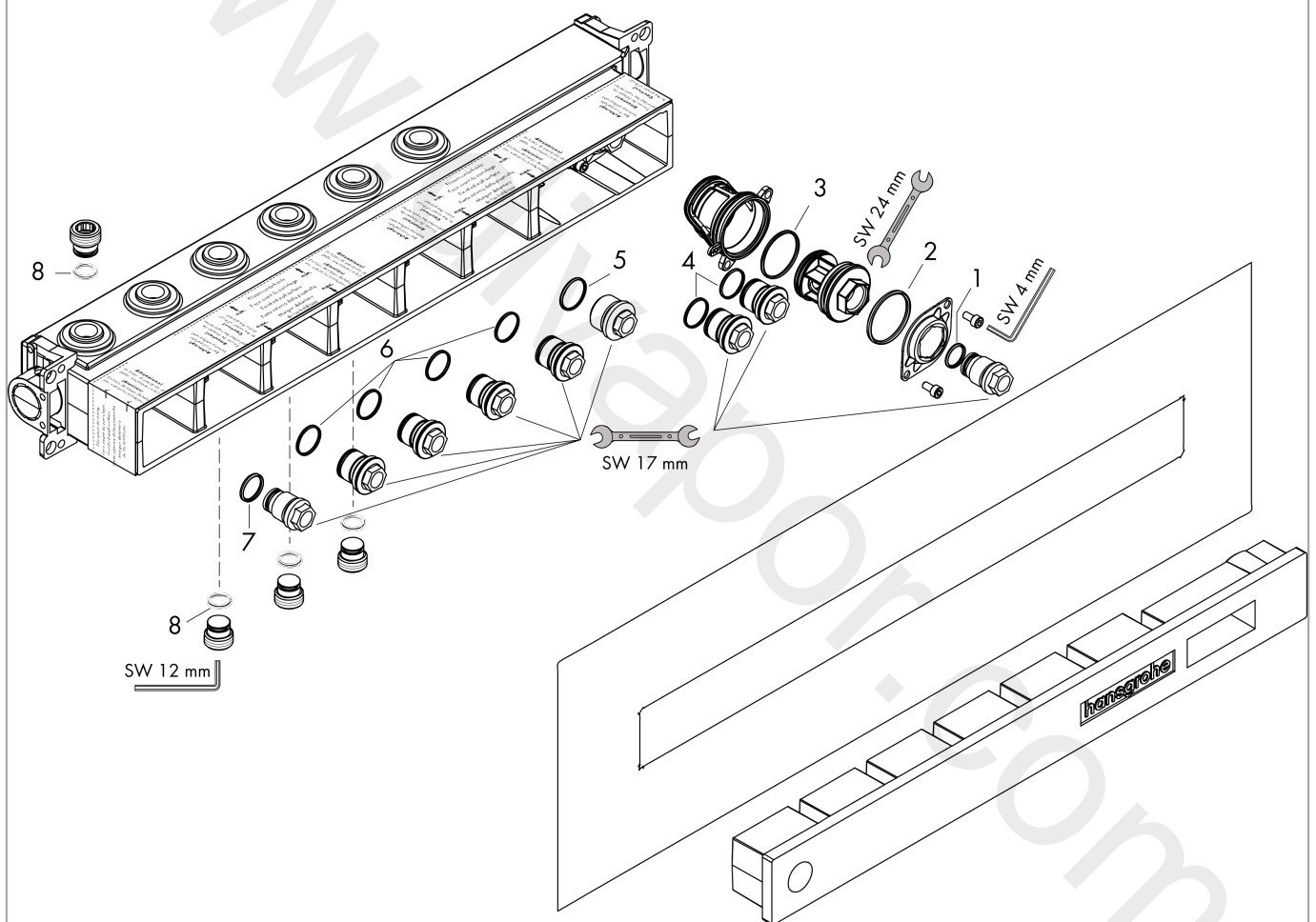
**Basic set for 4 functions**

Finish: n.a. Article Number: 15312180



**Exploded Drawing**

Year of production: >10/17



**RainSelect****Basic set for 4 functions**Finish: n.a. Article Number: **15312180****Spare part list**

Year of production: &gt;10/17

Pos.	Description	Article Number	Price	PU
1	O-ring 15x2,5	98131000	£ 3,30	1
2	O-ring 38x2,5	98198000	£ 6,10	1
3	O-ring 34x2	98383000	£ 6,10	1
4	O-ring 20x2	98165000	£ 3,30	1
5	O-ring 21,95x1,78	95169000	£ 3,30	1
6	O-ring 20x1,5	98197000	£ 3,30	1
7	O-ring 18x2	98181000	£ 6,10	1
8	O-ring 13x2	98128000	£ 3,30	1
a	extension 25 mm	93434000	£ 445,00	1