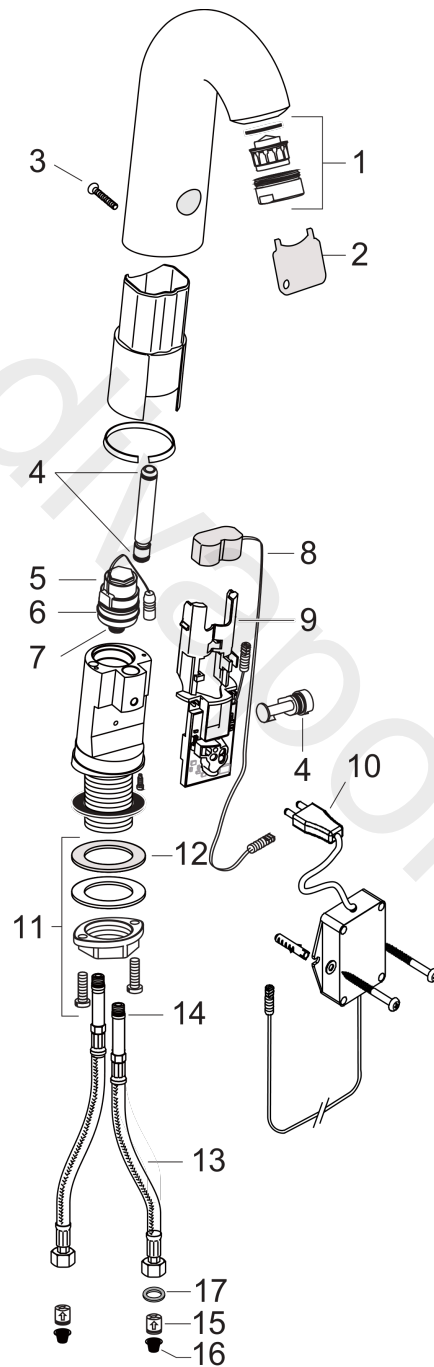


**Project**  
**Electronic Basin Mixer DN15, with 230V mains connection**  
 Surfaces: Article Number: **15181000**



**Exploded Drawing**

Year of production: **07/07 - 12/08**



**Project**  
**Electronic Basin Mixer DN15, with 230V mains connection**  
 Surfaces: Article Number: **15181000**



## Spare part list

Year of production: **07/07 - 12/08**

Pos.	Description	Article Number	Price	PU
1	aerator M24x1 (5 l/min)	98612000	£ 64,00	1
2	service tool	98808000	£ 16,10	1
3	screw	95180000	£ 20,50	1
4	O-ring 8x2	98112000	£ 3,30	1
5	solenoid valve 9 V	98854000	£ 224,00	1
6	O-ring 26x1,5	98390000	£ 3,30	1
7	O-ring 8x1,5	98423000	£ 3,30	1
8	AC adapter	97690000	£ 79,00	1
9	electronics	96905000	£ 370,00	1
10	transformer	97689000	£ 110,00	1
11	fixing set (Ø 32)	13961000	£ 25,00	1
12	lever collar	97548000	£ 3,30	1
13	connection hose 450 mm M8x0,75 G3/8	98809000	£ 51,00	1
14	O-ring 7x1,5	98422000	£ 3,30	1
15	non return valve DW 10	96456000	£ 9,00	1
16	filter packing	95291000	£ 13,30	1
17	sealing set	95581000	£ 6,10	1
a	fixation extension 35 mm	13898000	£ 79,00	1