

Project

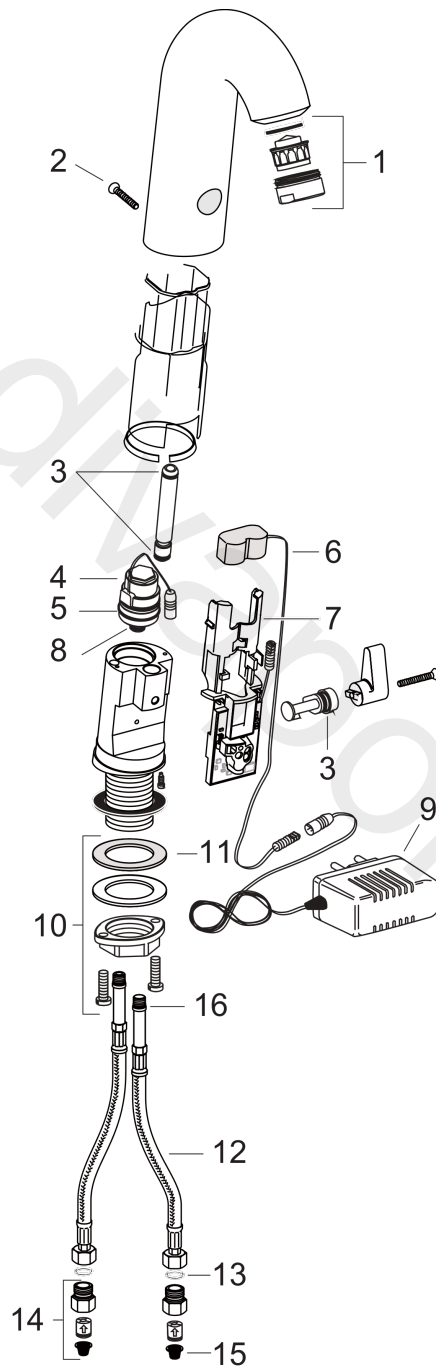
Electronic Basin Mixer with temperature control DN 15, with 230V mains connection

Surfaces: Article Number: **15180000**



Exploded Drawing

Year of production: **06/05 - 06/07**



Project**Electronic Basin Mixer with temperature control DN 15, with 230V mains connection**Surfaces: Article Number: **15180000****Spare part list**Year of production: **06/05 - 06/07**

Pos.	Description	Article Number	Price	PU
1	aerator M24x1 (5 l/min)	98612000	£ 64,00	1
2	screw	95180000	£ 20,50	1
3	O-ring 8x2	98112000	£ 3,30	1
4	solenoid valve 9 V	98854000	£ 224,00	1
5	O-ring 26x1,5	98390000	£ 3,30	1
6	AC adapter	97690000	£ 79,00	1
7	electronics	96905000	£ 370,00	1
8	O-ring 8x1,5	98423000	£ 3,30	1
9	transformer	97689000	£ 110,00	1
10	fixing set (Ø 32)	13961000	£ 25,00	1
11	lever collar	97548000	£ 3,30	1
12	connection hose 450 mm M8x0,75 G3/8	98671000	£ 51,00	1
13	sealing set	95581000	£ 6,10	1
14	back flow preventor cartridge	96906000	£ 35,00	1
15	filter packing	95291000	£ 13,30	1
16	O-ring 7x1,5	98422000	£ 3,30	1
a	aerator M24x1 (6 l/min)	96788000	£ 20,50	1
b	service tool	98808000	£ 16,10	1
c	fixation extension 35 mm	13898000	£ 79,00	1