

Fina
Single lever basin mixer L CoolStart without waste set
 Finish: **Chrome** Article Number: **15118000**

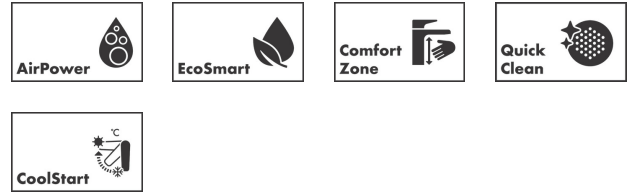


Description

product features

- ComfortZone 160
- handle variant: lever handle
- maximum flow rate at 3 bar: 5 l/min
- ceramic cartridge
- temperature limitation adjustable
- suitable for continuous flow water heaters
- connection type: G 3/8 connections
- connection dimension: DN15
- cold water in basic handle position

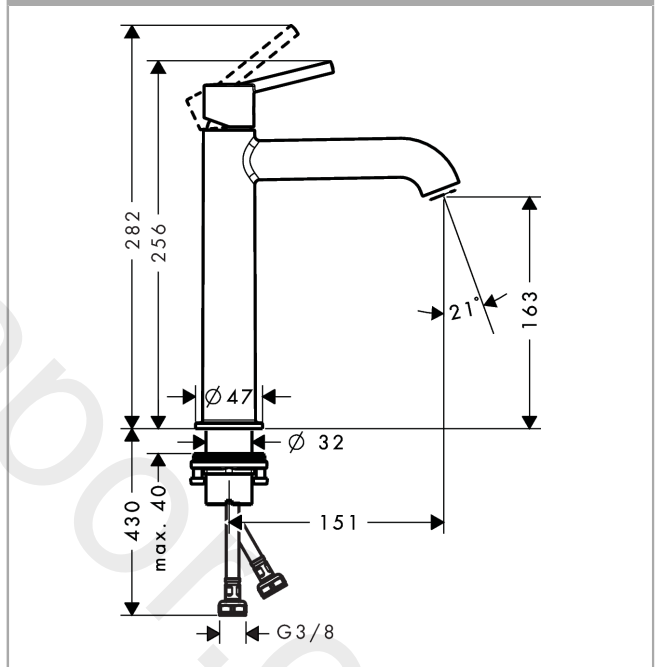
Technology



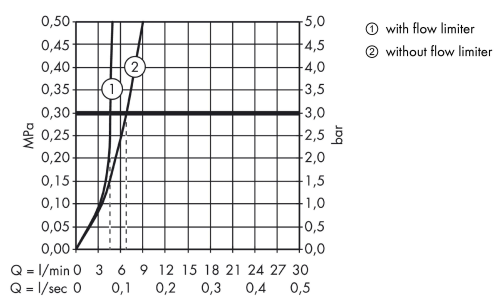
Product image



Scale drawing



Flowchart

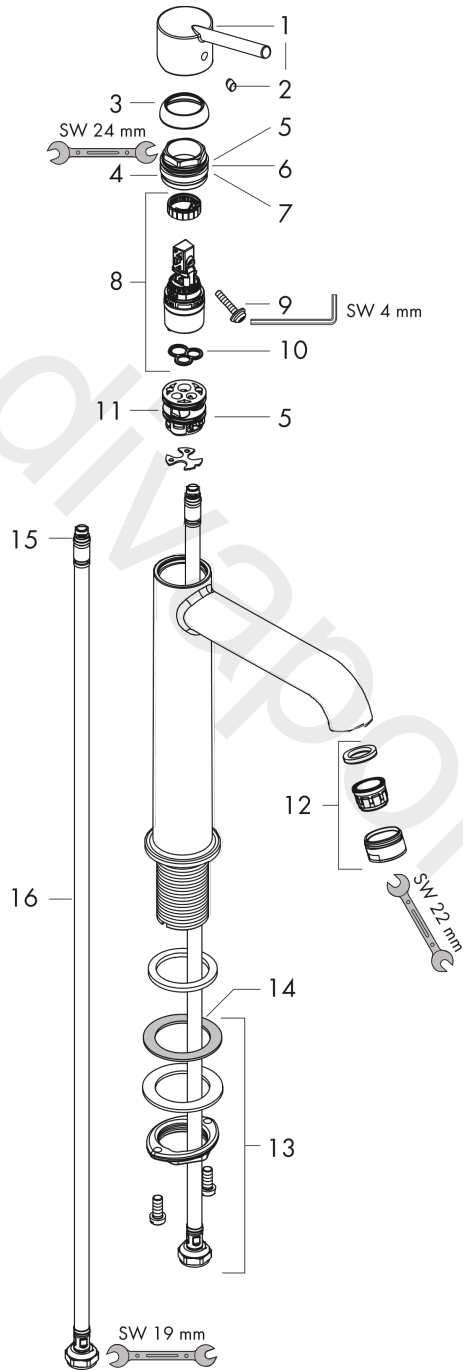


Fina
Single lever basin mixer L CoolStart without waste set
 Finish: **Chrome** Article Number: **15118000**



Exploded Drawing

Year of production: >04/17



Fina
Single lever basin mixer L CoolStart without waste set
 Finish: **Chrome** Article Number: **15118000**



Spare part list

Year of production: >04/17

Pos.	Description	Article Number	Price	PU
1	handle	92463000	-	1
2	screw cover	96338000	-	1
3	flange	98863000	-	1
4	nut	98864000	-	1
5	O-ring 23x2	98398000	-	1
6	O-ring 27x1,5	92527000	-	1
7	O-ring 25x1,5	98146000	-	1
8	cartridge, assy	97685000	-	1
9	locking screw for handle	95140000	-	1
10	seal	98865000	-	1
11	adapter for cartridge	95975000	-	1
12	aerator M24x1 (5 l/min)	13185000	-	1
13	fixing set (Ø 32)	13961000	-	1
14	lever collar	97548000	-	1
15	connection hose 600 mm M8x0,75 G3/8	96510000	-	1
16	O-ring 6,6x1,6	93019000	-	1
a	fixation extension 35 mm	13898000	-	1
b	aerator M24x1 (3,5 l/min)	92508000	-	1
c	aerator M24x1 (4,5 l/min)	92877000	-	1
d	aerator swivelling M24x1 (5 l/min)	95928000	-	1