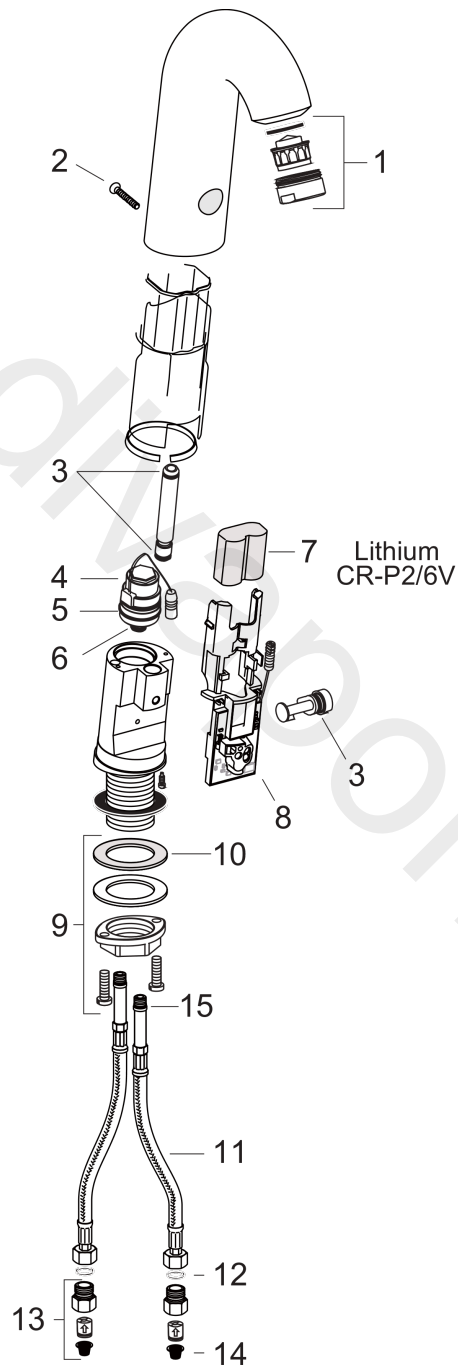


Project
Electronic Basin Mixer DN15, battery-operated
 Surfaces: Article Number: **15101800**



Exploded Drawing

Year of production: **10/03 - 06/07**



Project
Electronic Basin Mixer DN15, battery-operated
 Surfaces: Article Number: **15101800**



Spare part list

Year of production: **10/03 - 06/07**

Pos.	Description	Article Number	Price	PU
1	aerator M24x1 (6 l/min)	96788000	£ 20,50	1
2	screw	95180000	£ 20,50	1
3	O-ring 8x2	98112000	£ 3,30	1
4	solenoid valve 6 V	96904000	£ 275,00	1
5	O-ring 26x1,5	98390000	£ 3,30	1
6	O-ring 8x1,5	98423000	£ 3,30	1
7	battery CR-P2 / 6V lithium	97399000	-	1
8	electronics	96905000	£ 370,00	1
9	fixing set (Ø 32)	13961000	£ 25,00	1
10	lever collar	97548000	£ 3,30	1
11	connection hose 450 mm M8x0,75 G3/8	98671000	£ 51,00	1
12	sealing set	95581000	£ 6,10	1
13	back flow preventor cartridge	96906000	£ 35,00	1
14	filter packing	95291000	£ 13,30	1
15	O-ring 7x1,5	98422000	£ 3,30	1
a	fixation extension 35 mm	13898000	£ 79,00	1