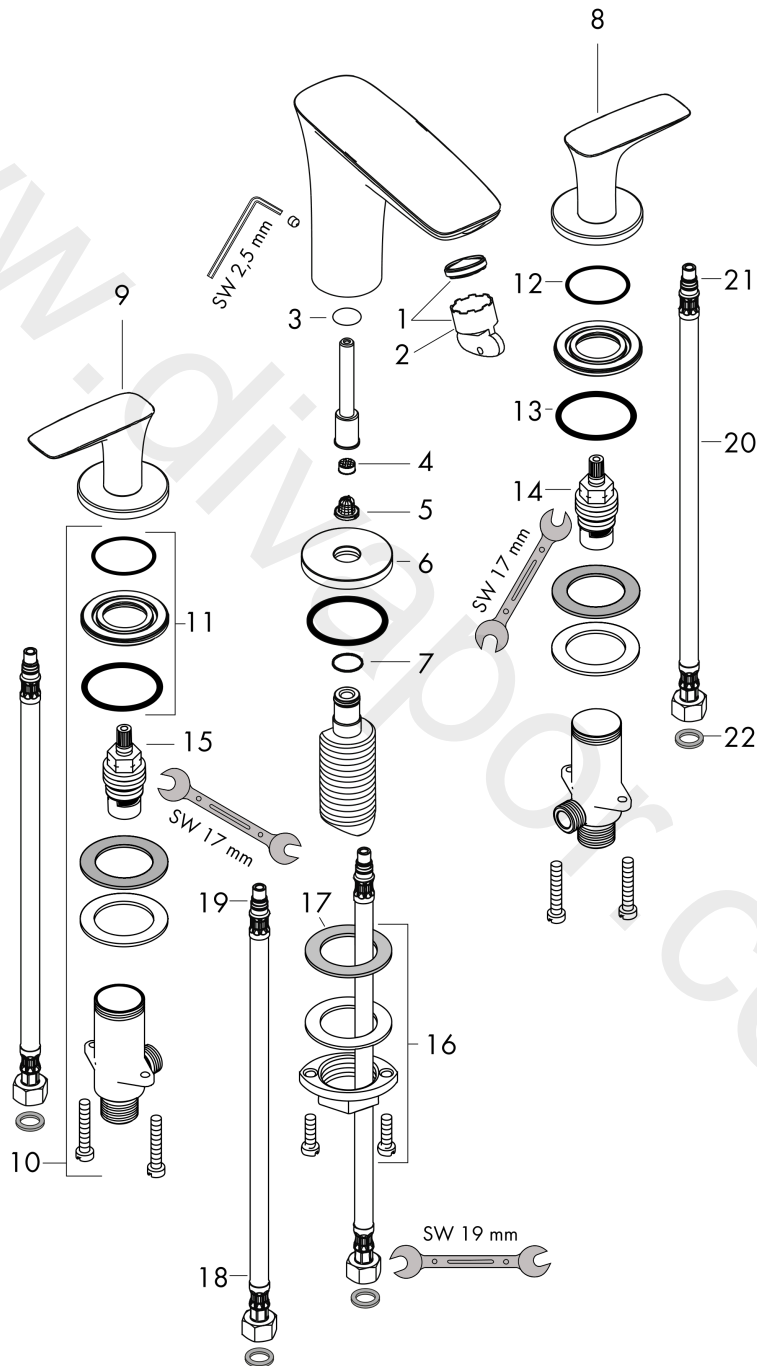


**PuraVida**  
**3-hole basin mixer 100 with push-open waste set**  
 Surfaces: Article Number: **15073000**



**Exploded Drawing**

Year of production: **07/09 - 04/10**



## PuraVida

### 3-hole basin mixer 100 with push-open waste set

Surfaces: Article Number: **15073000**



#### Spare part list

Year of production: **07/09 - 04/10**

Pos.	Description	Article Number	Price	PU
1	aerator M24x1 (5 l/min)	95282000	£ 20,50	1
2	special tool	95290000	£ 9,00	1
3	O-ring 18x2,5	98139000	£ 3,30	1
4	flow limiter (5 l/min)	95311000	£ 6,10	1
5	filter packing	95291000	£ 13,30	1
6	escutcheon for spout	97505000	£ 64,00	1
7	O-ring 11x2	98127000	£ 3,30	1
8	handle for cold water	95271000	£ 224,00	1
9	handle for hot water	95270000	£ 224,00	1
10	stop valve cpl.	97357000	£ 137,00	1
11	nut	92854000	£ 20,50	1
12	O-Ring 32x2,5	96364000	£ 25,00	1
13	O-ring 40x3	92634000	£ 3,30	1
14	shut off unit left closing	94008000	£ 43,00	1
15	shut off unit right closing	94009000	£ 43,00	1
16	fixing set (Ø 32)	13961000	£ 25,00	1
17	lever collar	97548000	£ 3,30	1
18	connection hose 450 mm M8x0,75 G3/8	97206000	£ 35,00	1
19	O-ring 7x1,5	98422000	£ 3,30	1
20	connection hose 450 mm M10x1 G3/8	96507000	£ 43,00	1
21	O-ring 8x1,75	97827000	£ 3,30	1
22	sealing set	95581000	£ 6,10	1
a	push-open waste set	50100000	£ 78,00	1
b	fixation extension 35 mm	13898000	£ 79,00	1