

**Talis M52**  
**Single lever kitchen mixer 260, pull-out spout, 1jet**  
 Finish: **Chrome** Article Number: **14872007**



## Description

### product features

- swivel range 150°
- installation in front of the window, can be laid flat, base height 70 mm
- normal spray
- MagFit magnetic shower support
- quick connect hose
- connection dimension: DN15
- ceramic cartridge
- connection type: G 3/8 connections
- temperature limitation adjustable
- integrated non-return valve
- suitable for continuous flow water heaters
- extension length up to 50 cm

## Technology



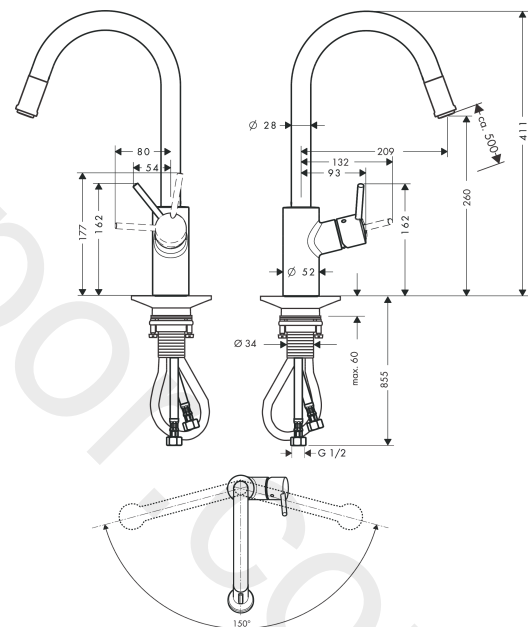
## Certificates / Sustainability



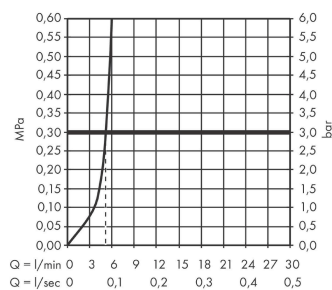
## Product image



## Scale drawing



## Flowchart

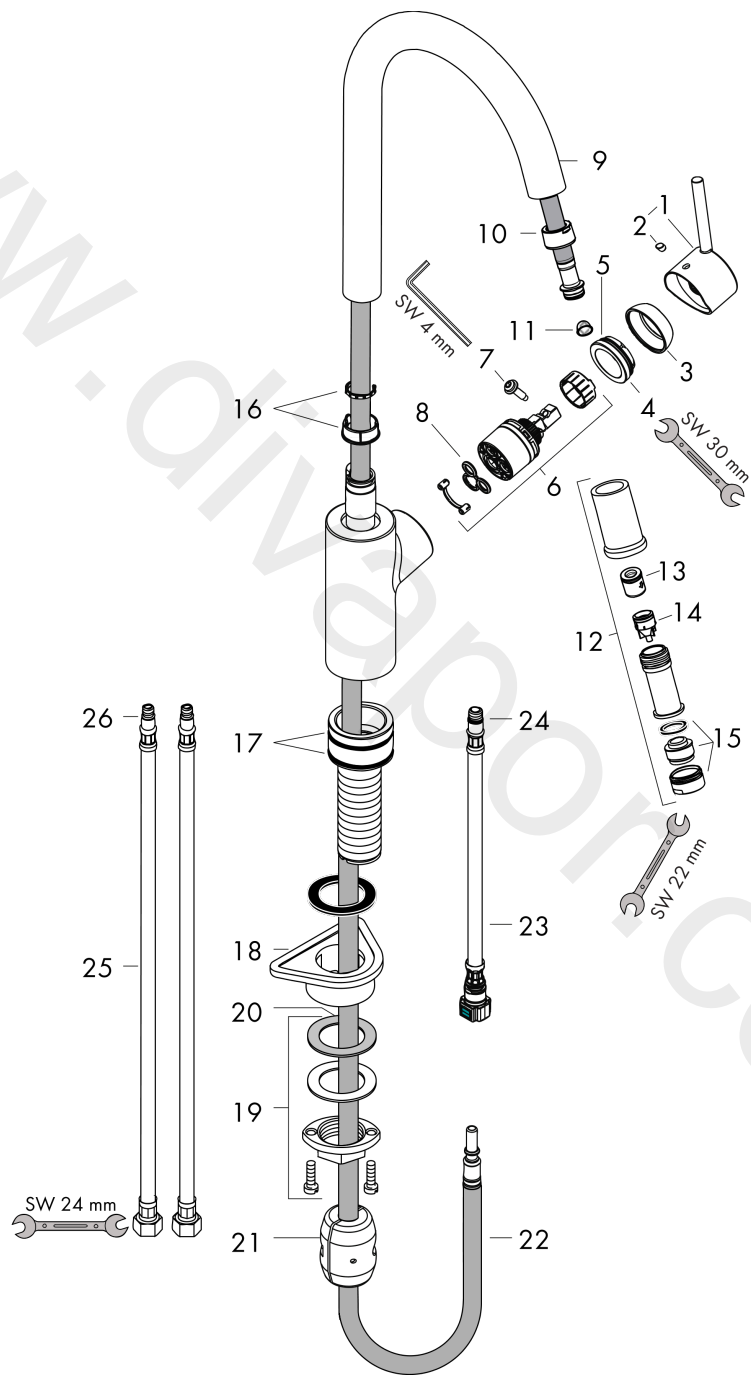


**Talis M52**  
**Single lever kitchen mixer 260, pull-out spout, 1jet**  
 Finish: **Chrome** Article Number: **14872007**



**Exploded Drawing**

Year of production: >03/19



**Talis M52****Single lever kitchen mixer 260, pull-out spout, 1jet**Finish: **Chrome** Article Number: **14872007****Spare part list**

Year of production: &gt;03/19

Pos.	Description	Article Number	Price	PU
1	handle	95560000	£ 64,00	1
2	screw cover	96338000	£ 3,30	1
3	flange	95498000	£ 9,00	1
4	nut	97209000	£ 16,10	1
5	O-Ring 32x2	98193000	£ 3,30	1
6	cartridge, assy	92730000	£ 35,00	1
7	locking screw for handle	95140000	£ 6,10	1
8	seal	95008000	£ 9,00	1
9	spout cpl.	95562000	£ 137,00	1
10	nut	92755000	£ 20,50	1
11	filter	97735000	£ 3,30	1
12	handspray	88659000	-	1
13	non return valve	93218000	£ 35,00	1
14	set of non return valves DW 15	97350000	£ 20,50	1
15	aerator M24x1 (15 l/min)	13913000	£ 14,00	1
16	set of lever collars	98365000	£ 9,00	1
17	O-ring 41x2	98212000	£ 3,30	1
18	support	97523000	£ 6,10	1
19	fixing set (Ø 34)	95049000	£ 16,10	1
20	lever collar	97548000	£ 3,30	1
21	weight	92500000	£ 43,00	1
22	hose 1,50 m	95507000	£ 79,00	1
23	connection hose 600 mm M10x1	95561000	£ 25,00	1
24	O-ring 8x1,75	97827000	£ 3,30	1
25	connection hose 900 mm M8x0,75 G½	97489000	£ 35,00	1
26	O-ring 7x1,5	98422000	£ 3,30	1