

## Talis M53

Single lever kitchen mixer 280, 1jet

Finish: **Chrome** Article Number: **14858000**



### Description

#### product features

- swivel range 150°
- normal spray
- connection dimension: DN15
- maximum flow rate at 3 bar: 5 l/min
- ceramic cartridge
- connection type: G 3/8 connections
- temperature limitation adjustable
- suitable for continuous flow water heaters

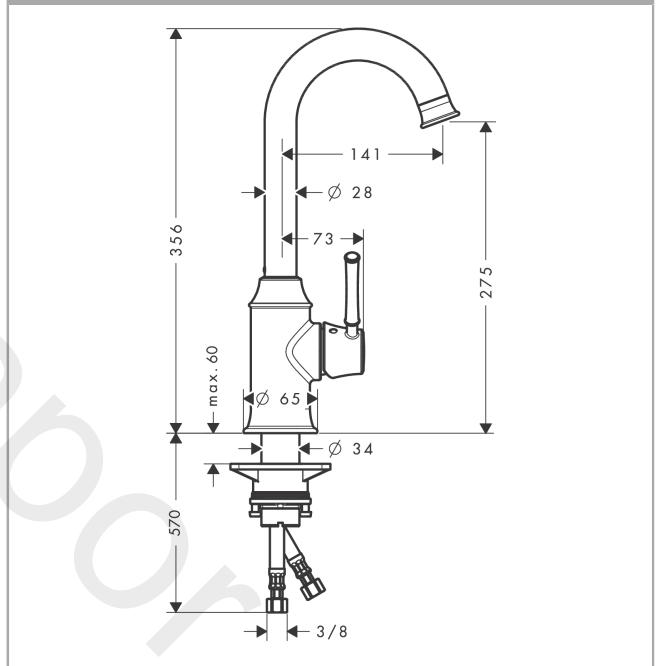
### Technology



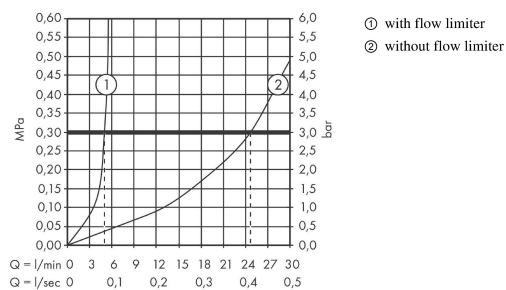
### Product image



### Scale drawing



### Flowchart

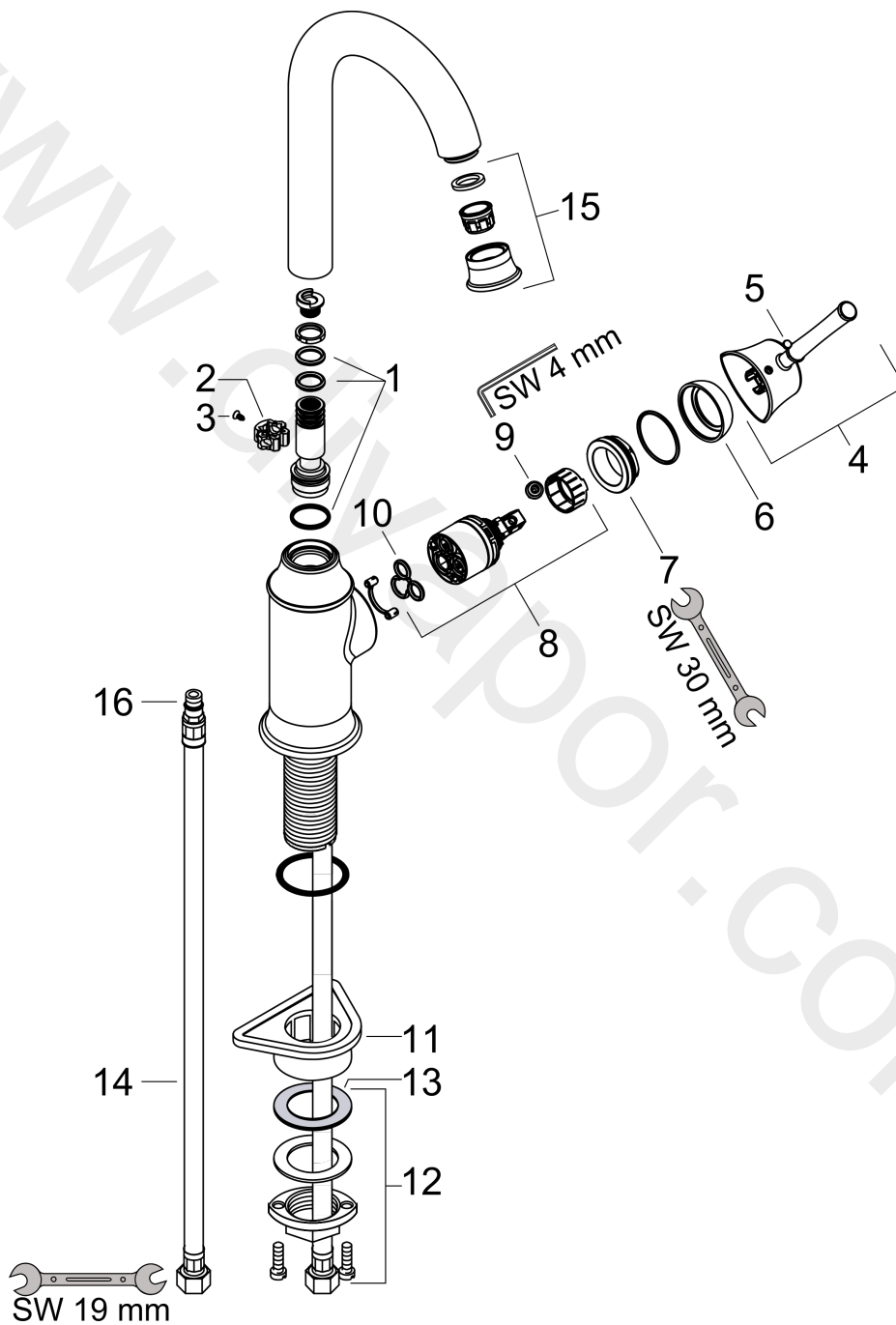


Talis M53  
 Single lever kitchen mixer 280, 1jet  
 Finish: **Chrome** Article Number: **14858000**



Exploded Drawing

Year of production: >01/12



**Talis M53**

**Single lever kitchen mixer 280, 1jet**

Finish: **Chrome** Article Number: **14858000**



**Spare part list**

Year of production: >01/12

Pos.	Description	Article Number	Price	PU
1	sealing set	92646000	£ 20,50	1
2	axialring	97558000	£ 3,30	1
3	screw	97662000	£ 9,00	1
4	handle	95900000	-	1
5	screw cover	96338000	£ 3,30	1
6	flange	96468000	£ 25,00	1
7	nut	96461000	£ 35,00	1
8	cartridge, assy	92730000	£ 35,00	1
9	locking screw for handle	95140000	£ 6,10	1
10	seal	95008000	£ 9,00	1
11	support	97523000	£ 6,10	1
12	fixing set (Ø 34)	95049000	£ 16,10	1
13	lever collar	97548000	£ 3,30	1
14	connection hose 600 mm M10x1 G3/8	97398000	£ 35,00	1
15	aerator M22x1 (5 l/min)	92516000	£ 25,00	1
16	O-ring 8x1,75	97827000	£ 3,30	1