

sanibel 5001

Finish: **Chrome** Article Number: **14734000**



Description

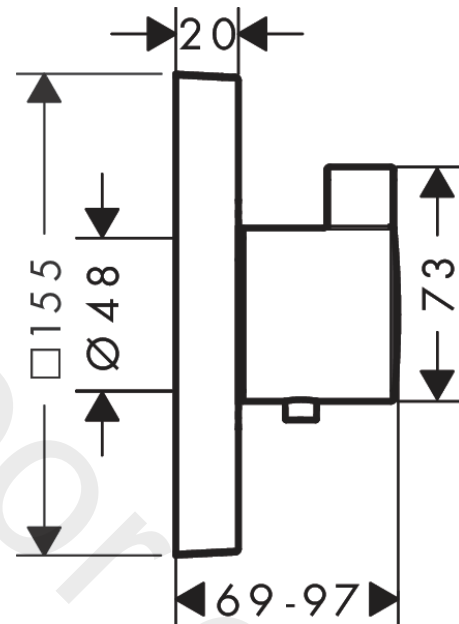
product features

- thermostat cartridge
- maximum flow rate at 3 bar: 59 l/min
- flow rate upper outlet: 42 l/min
- flow rate lower outlet: 42 l/min
- min. operating pressure: 1 bar
- max. operating pressure: 10 bar
- Safety stop at 40 °C
- temperature limitation adjustable
- connection type: basic set

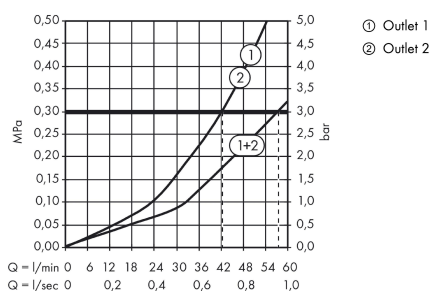
Product image



Scale drawing



Flowchart



sanibel 5001

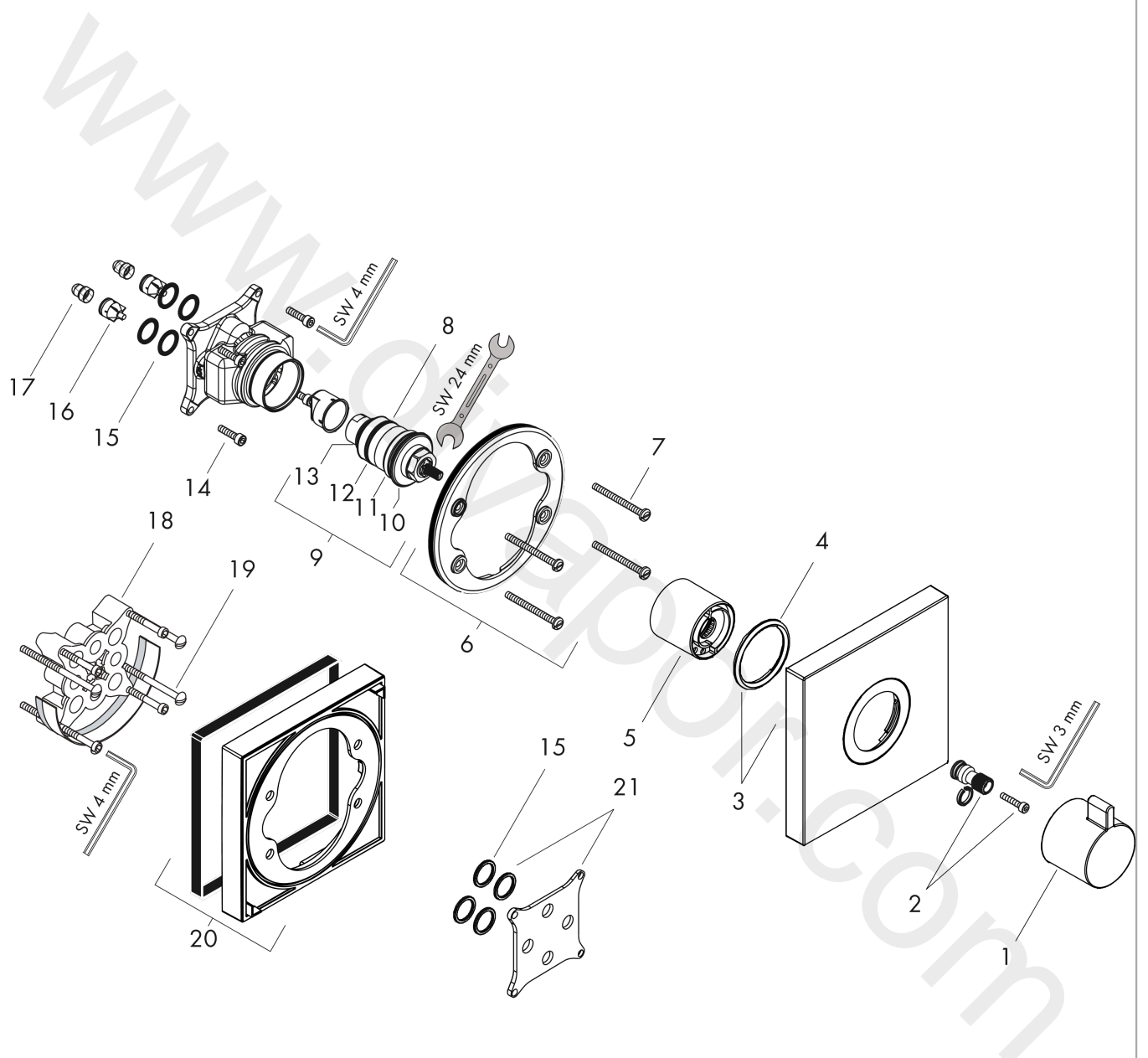
Finish: **Chrome**

Article Number: **14734000**



Exploded Drawing

Year of production: >04/18



sanibel 5001Finish: **Chrome** Article Number: **14734000****Spare part list**

Year of production: >04/18

Pos.	Description	Article Number	Price	PU
1	handle for thermostat	98474000	£ 64,00	1
2	adapter for handle	96435000	£ 20,50	1
3	escutcheon 155 / 155 mm	98473000	£ 173,00	1
4	O-ring 48x5	98174000	£ 3,30	1
5	sleeve	97439000	£ 43,00	1
6	holder for escutcheon	98793000	£ 43,00	1
7	set of fixing screws	96454000	£ 9,00	1
8	thermostat cartridge	96633000	£ 137,00	1
9	sealing set	96636000	£ 51,00	1
10	O-ring 43x1,5	98148000	£ 3,30	1
11	O-ring 38x2,5	98198000	£ 6,10	1
12	O-ring 34x2	98383000	£ 6,10	1
13	O-ring 26x2	98147000	£ 3,30	1
14	set of screws	96525000	£ 9,00	1
15	O-ring 16x2	98133000	£ 3,30	1
16	set of non return valves DW 15	97350000	£ 20,50	1
17	filter	98513000	£ 3,30	1
18	extension 25 mm	13595000	£ 75,00	1
19	set of fixing screws	97747000	£ 3,30	1
20	extension 22 mm	13593000	£ 79,00	1
21	compensation set 1°	95521000	£ 173,00	1
a	concealed item	01800180	£ 163,00	1