

## Ecos

Single lever shower mixer for concealed installation for iBox universal

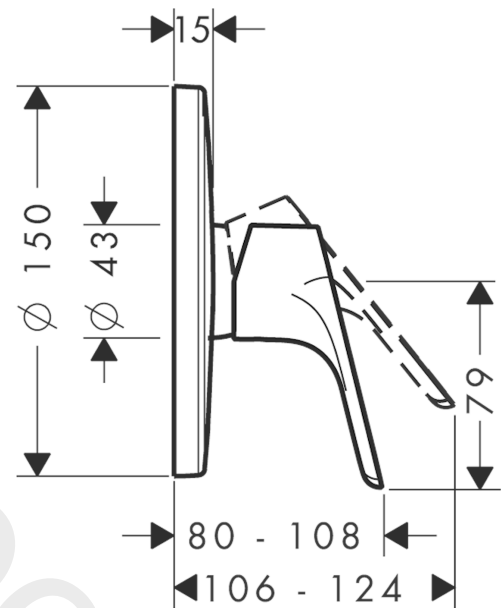
Finish: **Chrome** Article Number: **14630000**

### Description

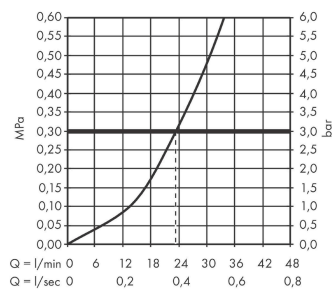
#### product features

- 1 function
- maximum flow rate at 3 bar: 32 l/min
- ceramic cartridge
- temperature limitation adjustable
- connection type: basic set

### Scale drawing



### Flowchart



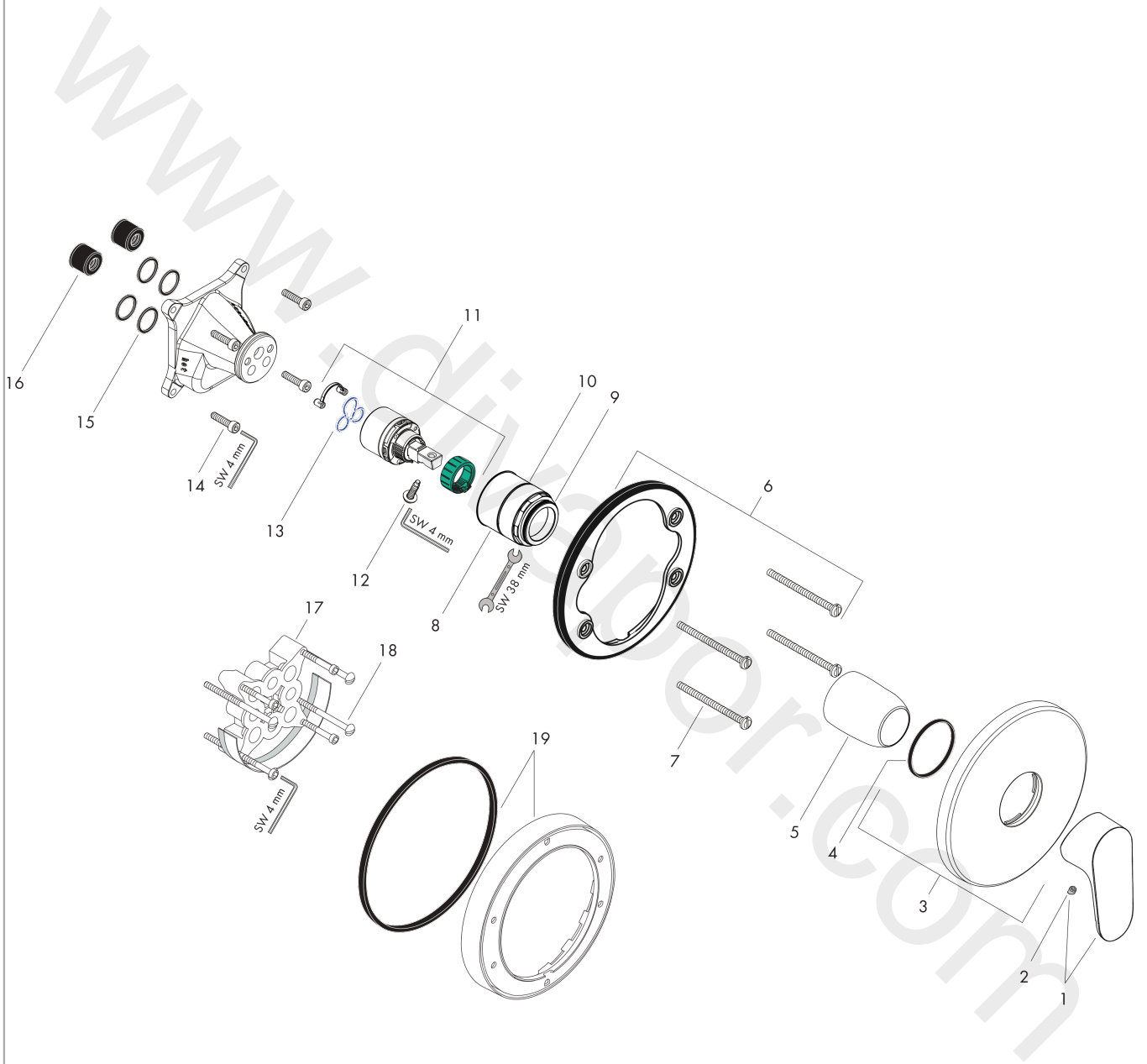
**Ecos**

**Single lever shower mixer for concealed installation for iBox universal**

Finish: **Chrome** Article Number: **14630000**

**Exploded Drawing**

Year of production: **>06/17**



**Ecos****Single lever shower mixer for concealed installation for iBox universal**Finish: **Chrome** Article Number: **14630000****Spare part list**

Year of production: &gt;06/17

Pos.	Description	Article Number	Price	PU
1	handle	95518000	£ 35,00	1
2	screw cover	96338000	£ 3,30	1
3	escutcheon Ø 150 mm	98792000	£ 64,00	1
4	O-ring 43x3	98418000	£ 3,30	1
5	sleeve	98790000	£ 35,00	1
6	holder for escutcheon	98793000	£ 43,00	1
7	set of fixing screws	96454000	£ 9,00	1
8	nut	98796000	£ 43,00	1
9	O-ring 30x1,5	98433000	£ 3,30	1
10	O-ring 39x1,5	98400000	£ 3,30	1
11	cartridge, assy	92730000	£ 35,00	1
12	locking screw for handle	95140000	£ 6,10	1
13	seal	95008000	£ 9,00	1
14	set of screws	93243000	£ 9,00	1
15	O-ring 16x2	98133000	£ 3,30	1
16	noise reduction	94073000	£ 25,00	1
17	extension 25 mm	13595000	£ 75,00	1
18	set of fixing screws	97747000	£ 3,30	1
19	extension 22 mm (Ø 150 mm)	13597000	£ 72,00	1