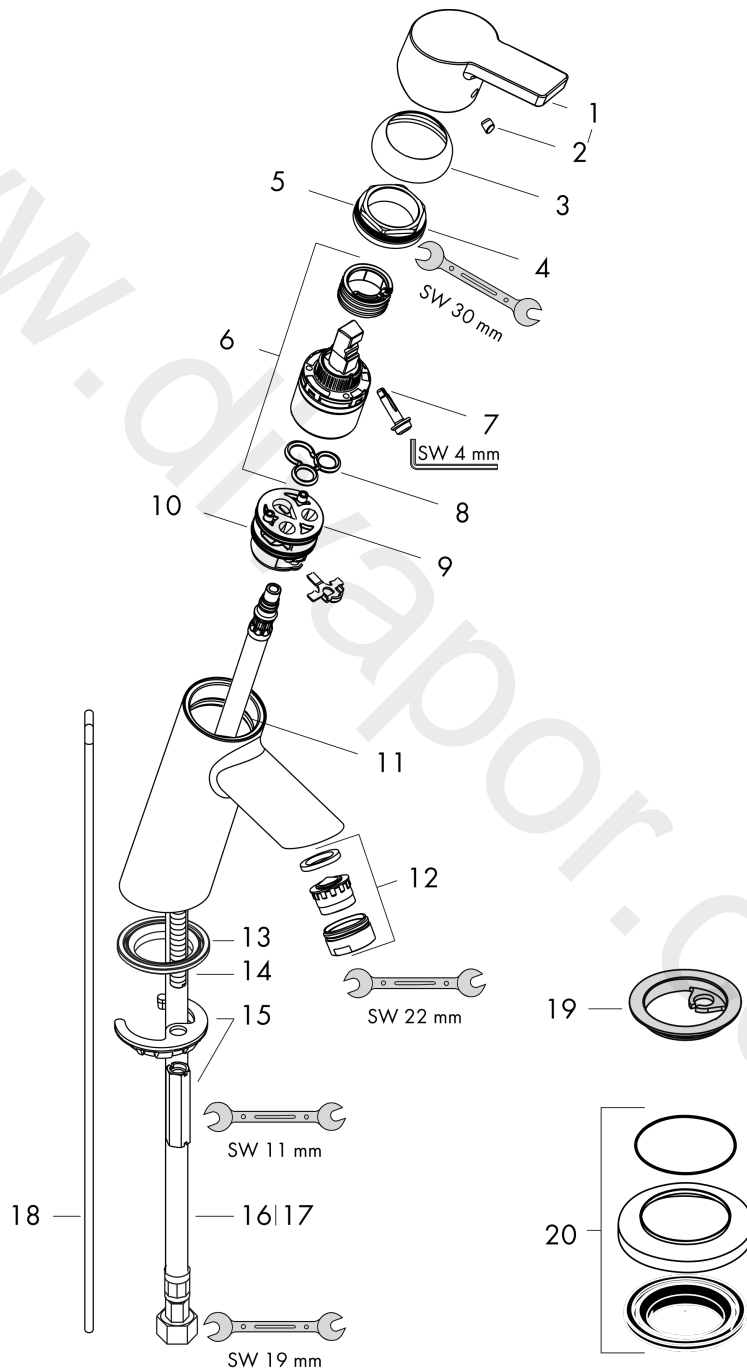


Status
Status M Single Lever Basin Mixer
 Surfaces: Article Number: **14180000**



Exploded Drawing

Year of production: **11/10 - 01/12**



Status
Status M Single Lever Basin Mixer

 Surfaces: Article Number: **14180000**

Spare part list

 Year of production: **11/10 - 01/12**

Pos.	Description	Article Number	Price	PU
1	handle	95673000	£ 43,00	1
2	screw cover	96338000	£ 3,30	1
3	nut	97209000	£ 16,10	1
4	flange	97406000	£ 20,50	1
5	O-Ring 32x2	98193000	£ 3,30	1
6	cartridge, assy	92730000	£ 35,00	1
7	locking screw for handle	95140000	£ 6,10	1
8	seal	95008000	£ 9,00	1
9	adapter for cartridge	98750000	£ 13,30	1
10	O-Ring 30x2	98186000	£ 3,30	1
11	O-ring 35x2	92604000	£ 6,10	1
12	aerator M24x1 (5 l/min)	13185000	£ 22,30	1
13	seal Ø 42	98722000	£ 6,10	1
14	screw M8 x 68	97736000	£ 6,10	1
15	fixing set	96016000	£ 35,00	1
16	connection hose 450 mm M8x0,75 G3/8	97206000	£ 35,00	1
17	O-ring 7x1,5	98422000	£ 3,30	1
18	pull rod	96657000	£ 13,30	1
19	seal Ø 45	98996000	£ 9,00	1
20	compensation escutcheon	32799000	£ 40,00	1
a	pop up waste	94139000	£ 96,00	1
b	aerator M24x1 (3,5 l/min)	92508000	£ 20,50	1
c	aerator M24x1 (4,5 l/min)	92877000	£ 20,50	1
d	aerator swivelling M24x1 (5 l/min)	95928000	£ 35,00	1