

Sportive

Sportive L Single Lever Basin Mixer

Finish: **Chrome** Article Number: **14150000**



Description

product features

- ComfortZone 160
- projection: 151 mm
- spray type: normal spray
- swiveling spray former
- maximum flow rate at 3 bar: 5 l/min
- ceramic cartridge
- temperature limitation adjustable
- suitable for continuous flow water heaters
- connection type: G 3/8 connections
- connection dimension: DN15

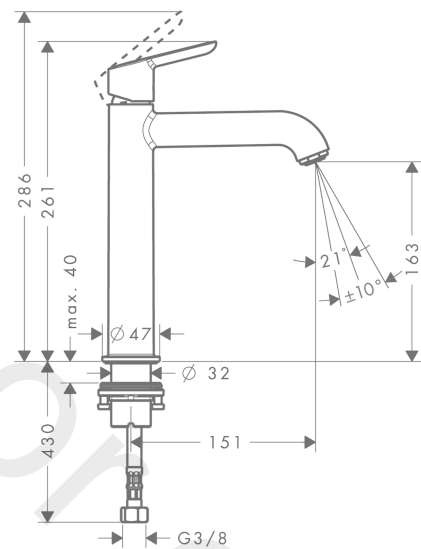
Technology



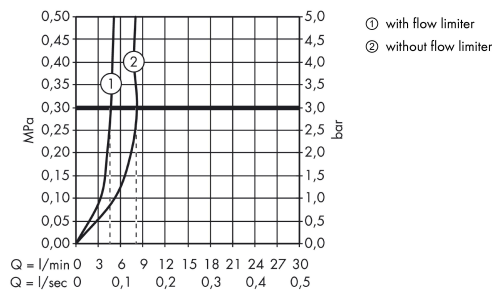
Product image



Scale drawing



Flowchart

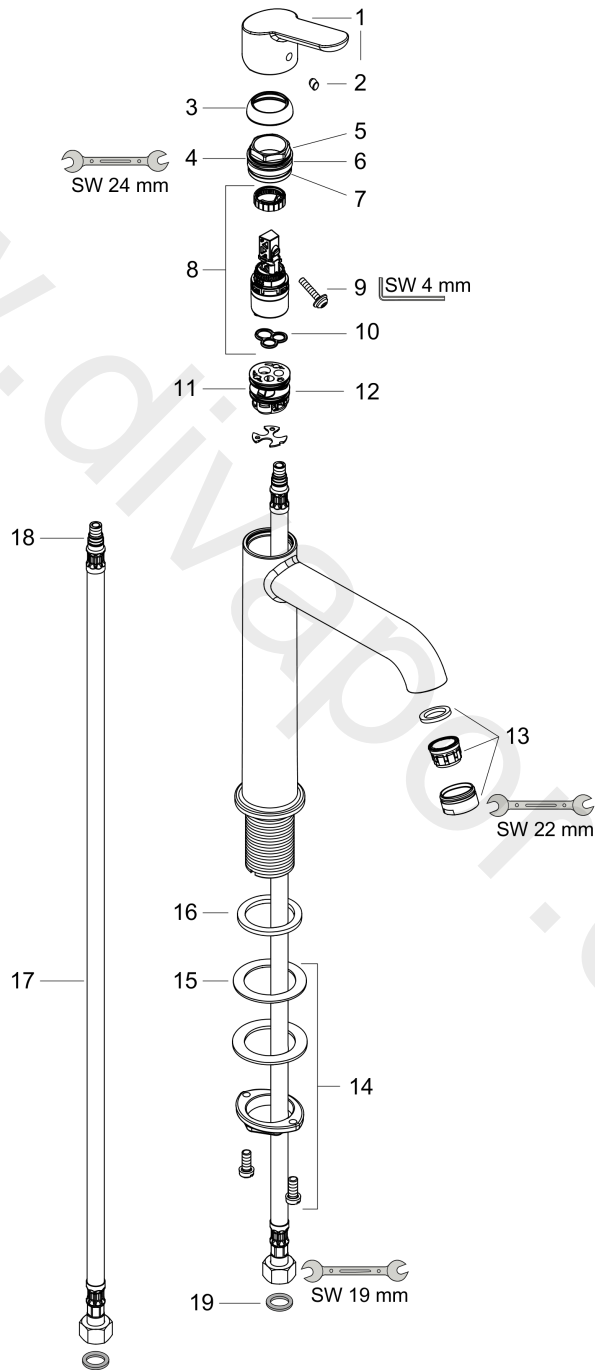


Sportive
Sportive L Single Lever Basin Mixer
 Finish: **Chrome** Article Number: **14150000**



Exploded Drawing

Year of production: >02/16



Sportive

Sportive L Single Lever Basin Mixer

Finish: **Chrome** Article Number: **14150000**



Spare part list

Year of production: >02/16

Pos.	Description	Article Number	Price	PU
1	handle	95955000	-	1
2	screw cover	96338000	£ 3,30	1
3	flange	98863000	£ 51,00	1
4	nut	98864000	£ 43,00	1
5	O-ring 23x2	98398000	£ 3,30	1
6	O-ring 27x1,5	92527000	£ 13,30	1
7	O-ring 25x1,5	98146000	£ 3,30	1
8	cartridge, assy	97685000	£ 64,00	1
9	locking screw for handle	95140000	£ 6,10	1
10	seal	98865000	£ 35,00	1
11	adapter for cartridge	98866000	£ 35,00	1
12	O-Ring 23x2,5	98183000	£ 3,30	1
13	aerator swivelling M24x1 (5 l/min)	95928000	£ 35,00	1
14	fixing set (Ø 32)	13961000	£ 25,00	1
15	flat seal	98749000	£ 6,10	1
16	lever collar	97548000	£ 3,30	1
17	connection hose 600 mm M8x0,75 G3/8	96556000	£ 25,00	1
18	O-ring 7x1,5	98422000	£ 3,30	1
19	sealing set	95581000	£ 6,10	1
a	fixation extension 35 mm	13898000	£ 79,00	1