

Ecoss

Single lever bath mixer for exposed installation DZR

Finish: **Chrome** Article Number: **14124000**



Description

product features

- 2 functions
- projection: 172 - 180 mm
- centre distance: 150 ± 12 mm
- maximum flow rate at 3 bar: 19 l/min
- ceramic cartridge
- temperature limitation adjustable
- protected against backflow, according to DIN EN 1717
- with silencer
- suitable for continuous flow water heaters
- connection type: s-shaped connections
- min. operating pressure: 1 bar
- max. operating pressure: 6 bar

Technology



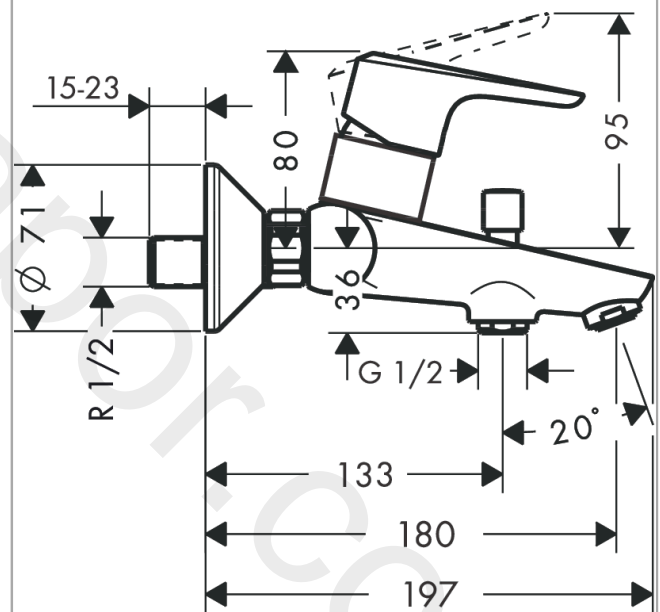
Certificates / Sustainability



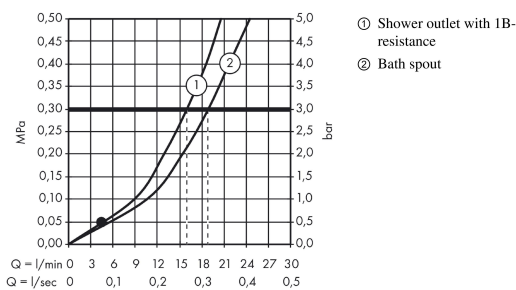
Product image



Scale drawing



Flowchart



Ecos**Single lever bath mixer for exposed installation DZR**Finish: **Chrome** Article Number: **14124000****Spare part list**

Year of production: >03/20

| Pos. | Description | Article Number | Price | PU |
|------|--------------------------|----------------|---------|----|
| 1 | handle | 95518000 | £ 35,00 | 1 |
| 2 | screw cover | 96338000 | £ 3,30 | 1 |
| 3 | flange | 97406000 | £ 20,50 | 1 |
| 4 | nut | 97977000 | £ 43,00 | 1 |
| 5 | O-Ring 32x2 | 98193000 | £ 3,30 | 1 |
| 6 | O-ring 33x1,5 | 98164000 | £ 3,30 | 1 |
| 7 | cartridge, assy | 92730000 | £ 35,00 | 1 |
| 8 | locking screw for handle | 95140000 | £ 6,10 | 1 |
| 9 | seal | 95008000 | £ 9,00 | 1 |
| 10 | diverter knob | 97981000 | £ 20,50 | 1 |
| 11 | sleeve | 97979000 | £ 16,10 | 1 |
| 12 | selector | 97978000 | £ 64,00 | 1 |
| 13 | aerator M24x1 (25 l/min) | 92511000 | £ 13,30 | 1 |
| 14 | set of nuts | 96157000 | £ 35,00 | 1 |
| 15 | connecting thread | 97220000 | £ 16,10 | 1 |
| 16 | O-ring 15x2 | 98163000 | £ 3,30 | 1 |
| 17 | filter packing | 96922000 | £ 9,00 | 1 |
| 18 | escutcheon Ø 70 mm | 94135000 | £ 13,30 | 1 |
| 19 | noise reduction | 96429000 | £ 6,10 | 1 |
| 20 | set of S-unions (±12 mm) | 94140000 | £ 51,00 | 1 |