

Ecos
Single lever bath mixer for concealed installation
 Finish: **Chrome** Article Number: **14101000**



Description

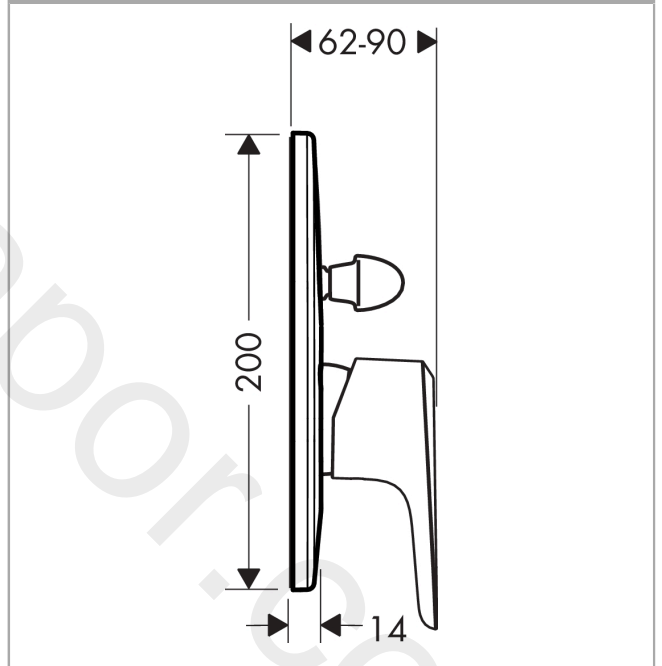
product features

- 2 functions
- maximum flow rate at 3 bar: 30,7 l/min
- flow rate for bath spout at 3 bar: 30,7 l/min
- flow rate of hand shower at 3 bar: 27,4 l/min
- ceramic cartridge
- temperature limitation adjustable
- diverter with automatic resetting
- connection type: basic set
- wall-mounted
- min. operating pressure: 1 bar
- max. operating pressure: 10 bar

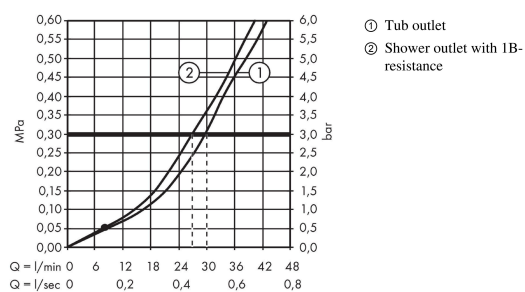
Product image



Scale drawing



Flowchart

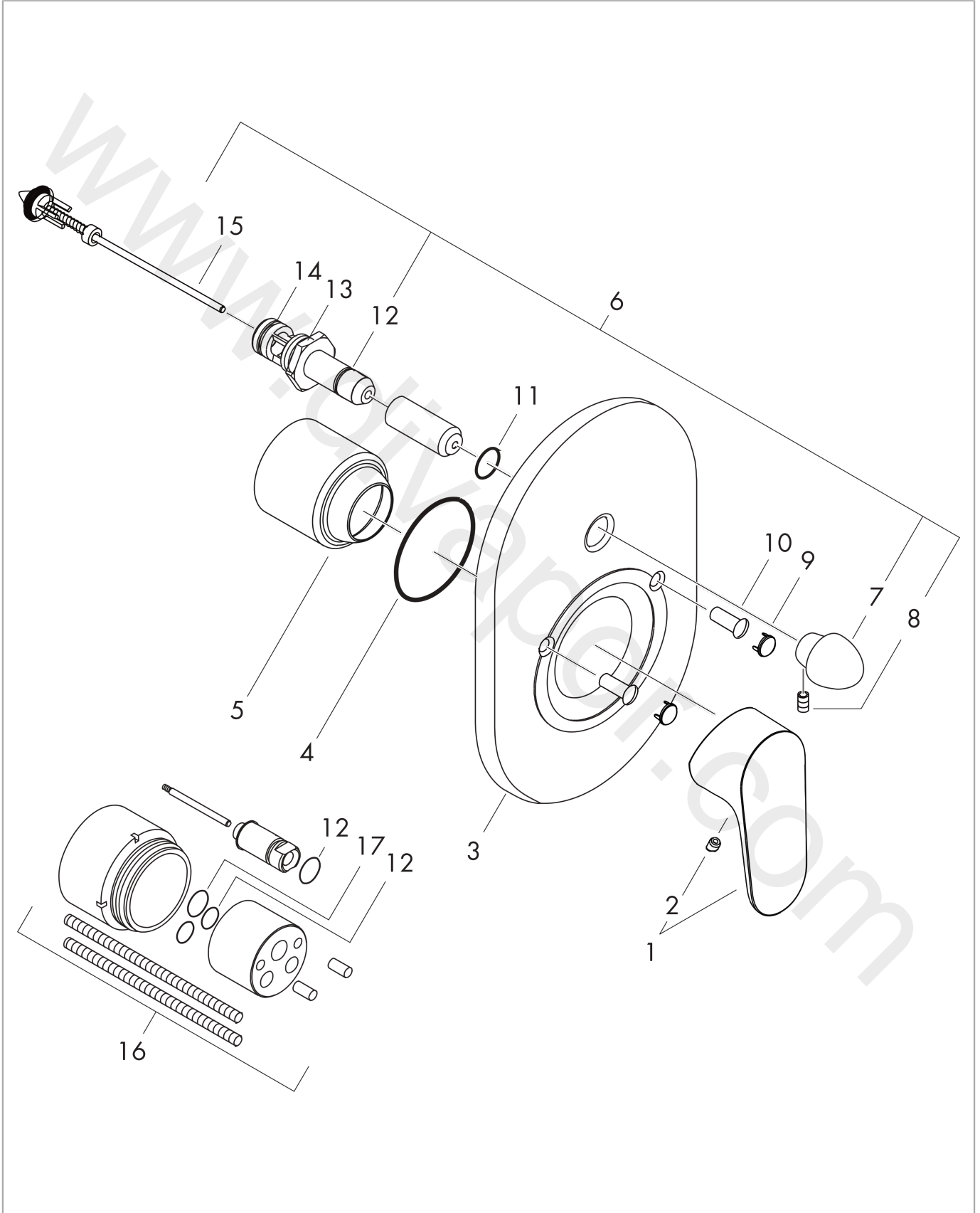


Ecos
Single lever bath mixer for concealed installation
 Finish: **Chrome** Article Number: **14101000**



Exploded Drawing

Year of production: >01/18



Ecos
Single lever bath mixer for concealed installation
 Finish: **Chrome** Article Number: **14101000**



Spare part list

Year of production: >01/18

Pos.	Description	Article Number	Price	PU
1	handle	95518000	£ 35,00	1
2	screw cover	96338000	£ 3,30	1
3	escutcheon bath/shower mixer	95011000	£ 51,00	1
4	O-Ring 48x3	95508000	£ 3,30	1
5	flange	96348000	£ 13,30	1
6	diverter assy with sleeve and handle	95015000	£ 110,00	1
7	diverter knob cpl.	95013000	£ 16,10	1
8	hollow set screw M4x10	97667000	£ 3,30	1
9	cover cap	95433000	£ 6,10	1
10	hollow screw	96065000	£ 6,10	1
11	O-ring 14x3	98130000	£ 3,30	1
12	O-ring 10x1,5	98123000	£ 3,30	1
13	O-ring 16x2,5	98134000	£ 3,30	1
14	O-ring 13x2	98128000	£ 3,30	1
15	selector assy	96937000	£ 20,50	1
16	extension set 28 mm tub mixer	32498000	£ 173,00	1
17	O-ring 12x1,5	98430000	£ 3,30	1