

MyCube

2-handle kitchen mixer 210, 1jet

Finish: **Chrome** Article Number: **13818000**



Description

product features

- ComfortZone 210
- swivel range adjustable in 3 steps 110°, 150° or 360°
- normal spray
- connection dimension: DN15
- maximum flow rate at 3 bar: 12 l/min
- ceramic valves hot/cold 90°
- connection type: G 3/8 connections
- suitable for continuous flow water heaters

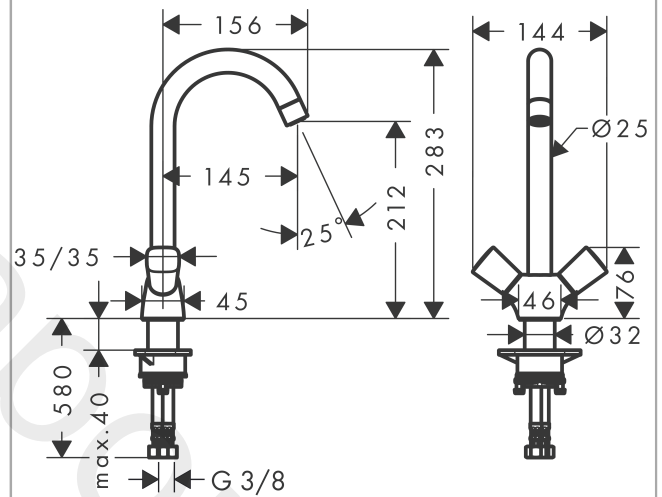
Technology



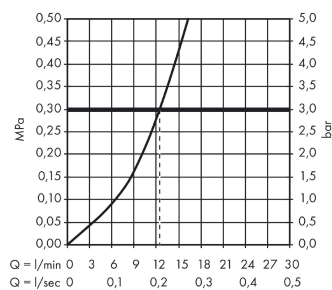
Product image



Scale drawing



Flowchart

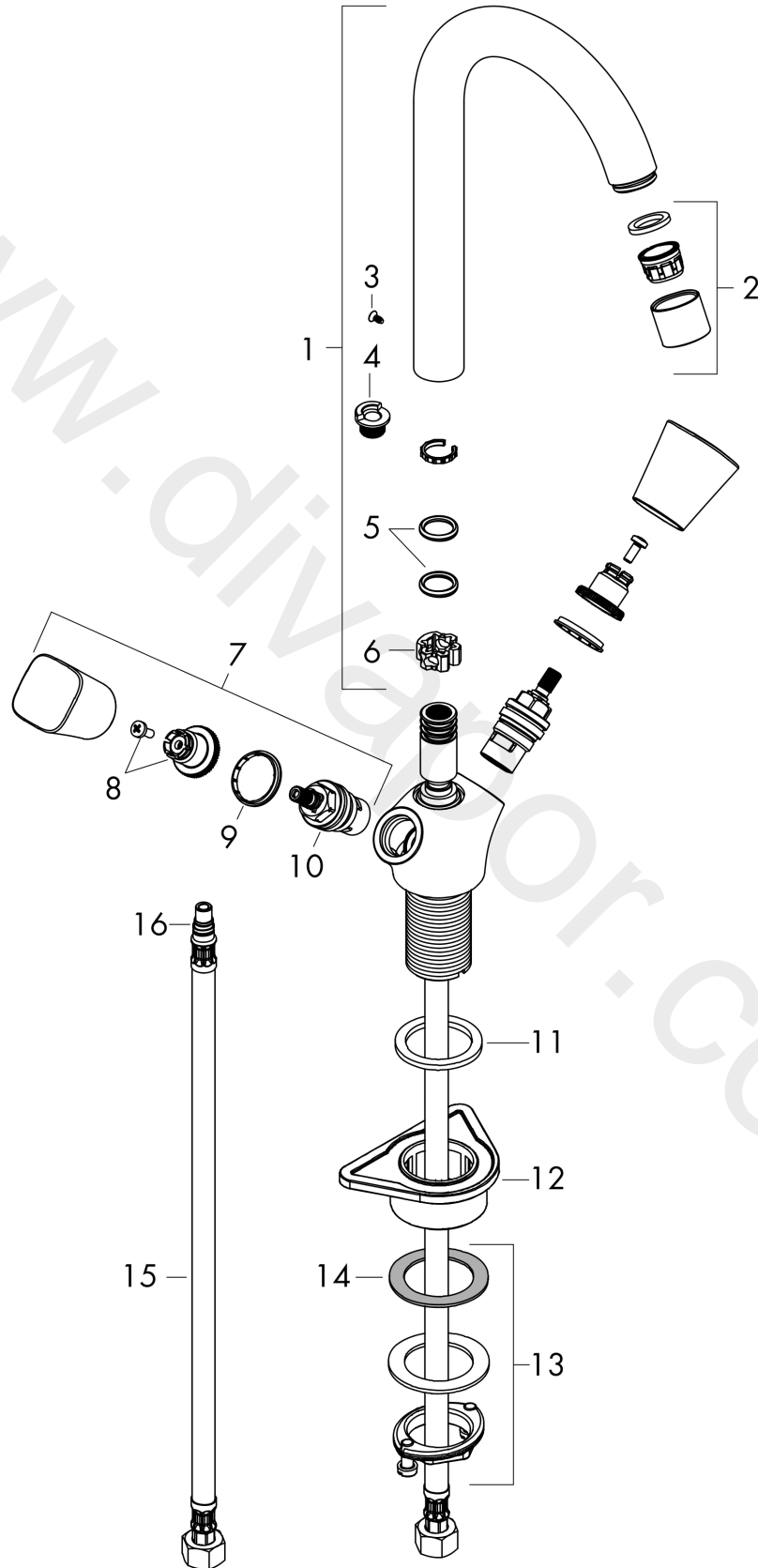


MyCube
2-handle kitchen mixer 210, 1jet
 Finish: **Chrome** Article Number: **13818000**



Exploded Drawing

Year of production: >10/15



MyCube

2-handle kitchen mixer 210, 1jet

Finish: **Chrome** Article Number: **13818000**



Spare part list

Year of production: >10/15

Pos.	Description	Article Number	Price	PU
1	spout cpl.	92223000	£ 96,00	1
2	aerator M22x1 (15 l/min)	92368000	£ 25,00	1
3	screw	97662000	£ 9,00	1
4	set of locating rings (110° / 150°)	98486000	£ 16,10	1
5	O-Ring 14x2,5	98189000	£ 3,30	1
6	axialring	97558000	£ 3,30	1
7	handle	92221000	£ 51,00	1
8	handle fixing set	94184000	£ 6,10	1
9	set of color-rings cold / hot water	92225000	£ 6,10	1
10	shut off unit right closing	94009000	£ 43,00	1
11	flat seal	98749000	£ 6,10	1
12	support	97523000	£ 6,10	1
13	fixing set (Ø 32)	13961000	£ 25,00	1
14	lever collar	97548000	£ 3,30	1
15	connection hose 600 mm M8x0,75 G3/8	96556000	£ 25,00	1
16	O-ring 7x1,5	98422000	£ 3,30	1
a	fixation extension 35 mm	13898000	£ 79,00	1