

**Picta 2016**  
**Valve for concealed installation for 3 functions**  
 Finish: **Chrome** Article Number: **13754000**



**Description**

**product features**

- 3 functions
- simultaneous use of several outlets
- Start/stop valve to operate the functions
- maximum flow rate at 3 bar: 30 l/min
- connection type: basic set
- thermostat is delivered with buttons Rain large, Waterfall, hand shower

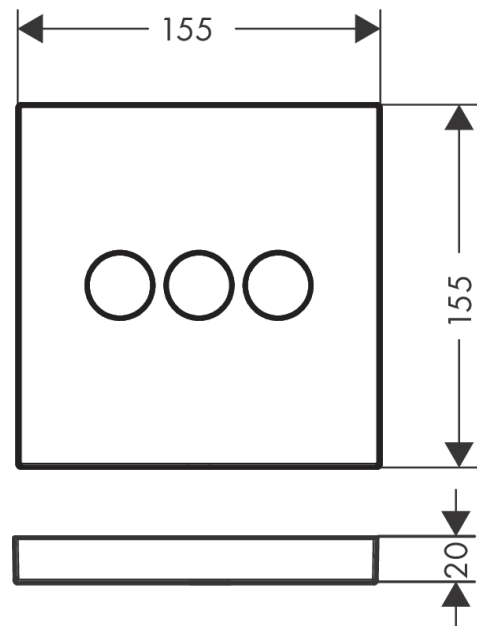
**Technology**



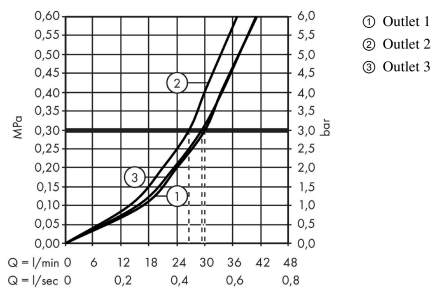
**Product image**



**Scale drawing**



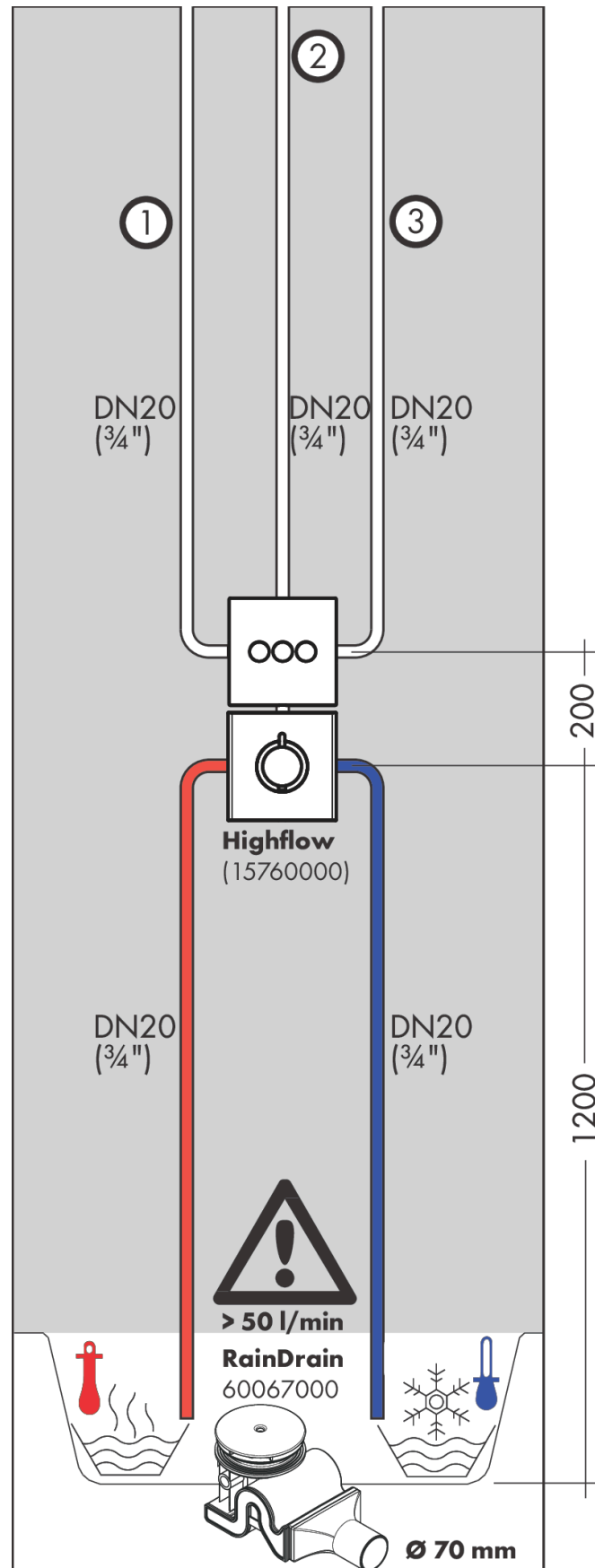
**Flowchart**



**Picta 2016**  
**Valve for concealed installation for 3 functions**  
 Finish: **Chrome** Article Number: **13754000**



Installation examples

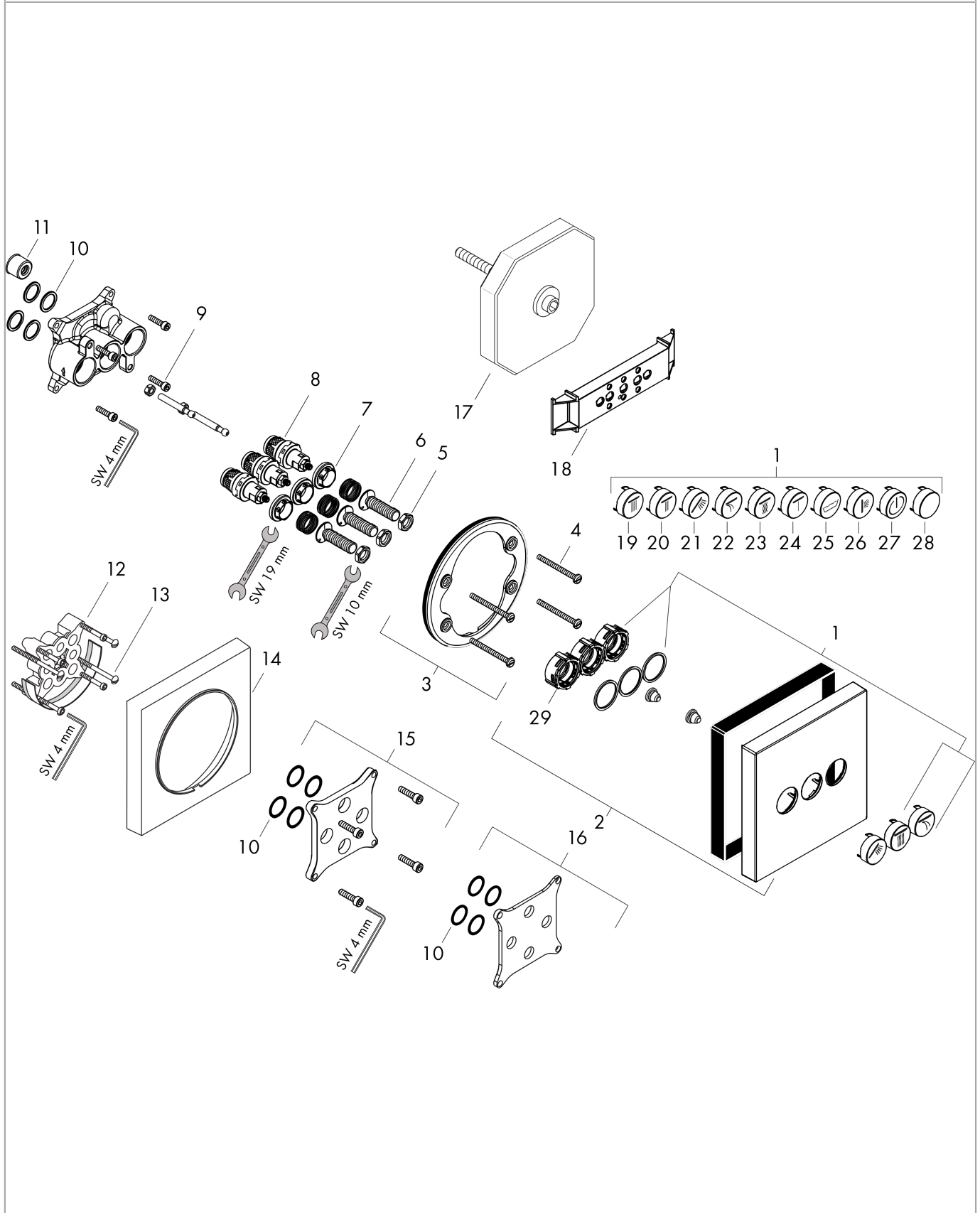


**Picta 2016**  
**Valve for concealed installation for 3 functions**  
 Finish: **Chrome** Article Number: **13754000**



**Exploded Drawing**

Year of production: >07/18



**Picta 2016**  
**Valve for concealed installation for 3 functions**  
 Finish: **Chrome** Article Number: **13754000**



## Spare part list

Year of production: >07/18

Pos.	Description	Article Number	Price	PU
1	set of symbols	92218000	-	1
2	escutcheon 155 / 155 mm	92227000	-	1
3	holder for escutcheon	98793000	-	1
4	set of fixing screws	96454000	-	1
5	nut and flange	92696000	-	1
6	Select-adapter	92219000	-	1
7	nut	98368000	-	1
8	shut off unit	95758000	-	1
9	set of screws	96525000	-	1
10	O-ring 16x2	98133000	-	1
11	noise reduction	94073000	-	1
12	extension 25 mm	13595000	-	1
13	set of fixing screws	97747000	-	1
14	extension 22 mm	13593000	-	1
15	extension 10 mm for iBox universal with shut-off unit	92332000	-	1
16	compensation set 1°	95521000	-	1
17	flushing unit complete	15956000	-	1
18	fit-up aid	92540000	-	1
19	symbol head shower Rain large	93571880	-	1
20	symbol head shower Rain small	93572880	-	1
21	symbol handshower	93573880	-	1
22	symbol Flood jet	93574880	-	1
23	symbol Whirl	93575880	-	1
24	symbol Mono	93576880	-	1
25	symbol tub	93577880	-	1
26	symbol body shower	93578880	-	1
27	symbol ON/OFF	93579880	-	1
28	pushbutton	93955880	-	1