

Picta 2016
Thermostat HighFlow for concealed installation
 Finish: **Chrome** Article Number: **13753000**



Description

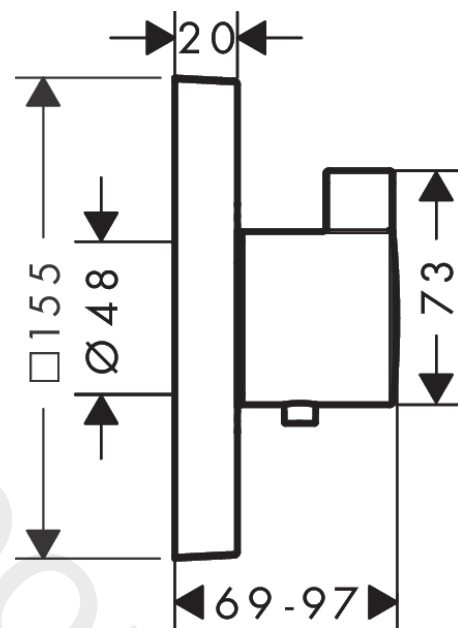
product features

- thermostat cartridge
- flow rate upper outlet: 42 l/min
- flow rate lower outlet: 42 l/min
- Safety stop at 40 °C
- temperature limitation adjustable
- connection type: basic set

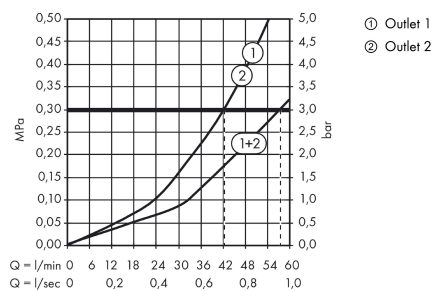
Product image



Scale drawing



Flowchart

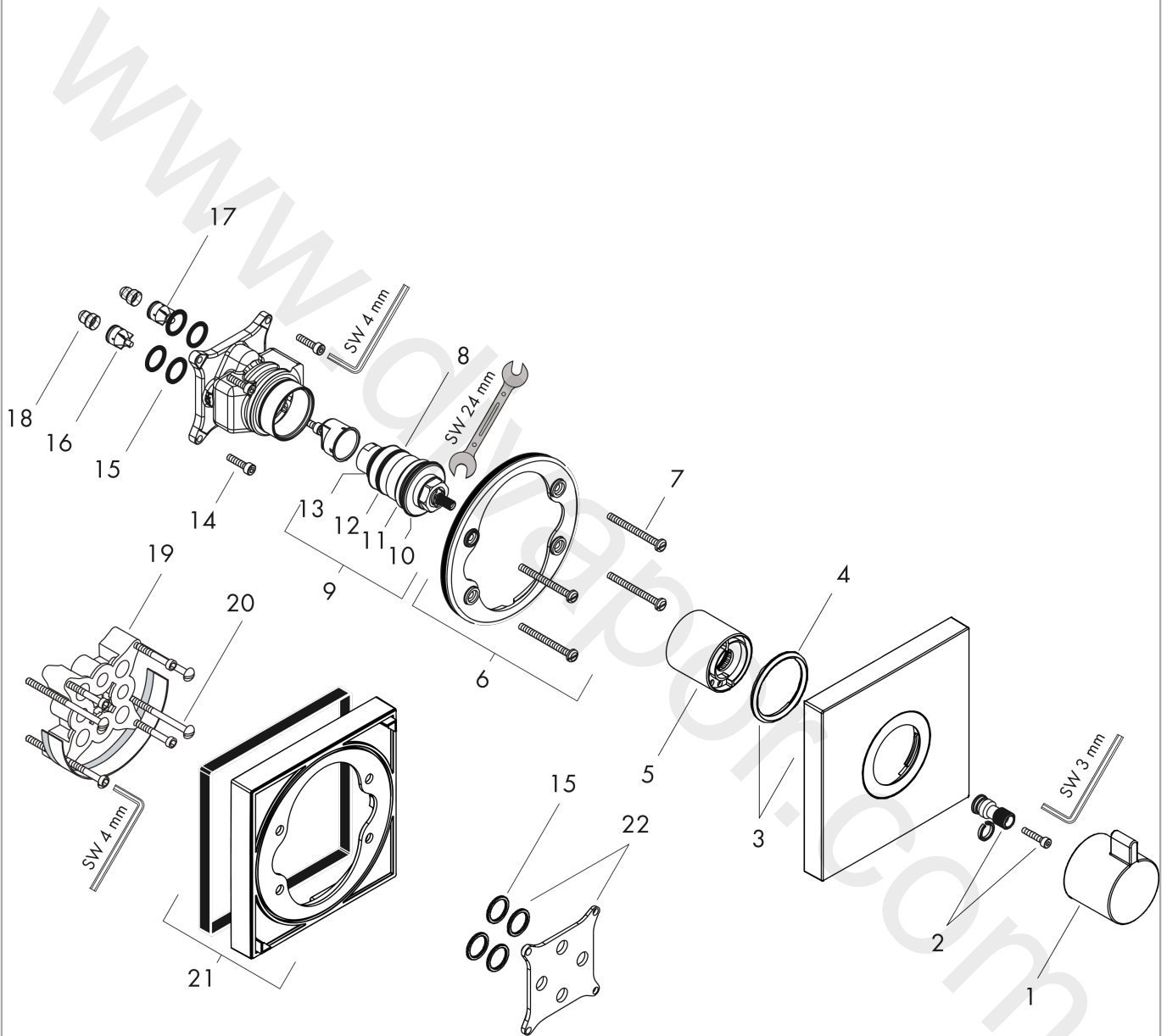


Picta 2016
Thermostat HighFlow for concealed installation
 Finish: **Chrome** Article Number: **13753000**



Exploded Drawing

Year of production: >07/18



Picta 2016
Thermostat HighFlow for concealed installation
 Finish: **Chrome** Article Number: **13753000**



Spare part list

Year of production: >07/18

Pos.	Description	Article Number	Price	PU
1	handle for thermostat	98474000	-	1
2	adapter for handle	96435000	-	1
3	escutcheon 155 / 155 mm	98473000	-	1
4	O-ring 48x5	98174000	-	1
5	sleeve	97439000	-	1
6	holder for escutcheon	98793000	-	1
7	set of fixing screws	96454000	-	1
8	thermostat cartridge	96633000	-	1
9	sealing set	96636000	-	1
10	O-ring 43x1,5	98148000	-	1
11	O-ring 38x2,5	98198000	-	1
12	O-ring 34x2	98383000	-	1
13	O-ring 26x2	98147000	-	1
14	set of screws	96525000	-	1
15	O-ring 16x2	98133000	-	1
16	set of non return valves DW 15	97350000	-	1
17	non return valve (pressure-resistant up to 2 MPa)	92594000	-	1
18	filter	98513000	-	1
19	extension 25 mm	13595000	-	1
20	set of fixing screws	97747000	-	1
21	extension 22 mm	13593000	-	1
22	compensation set 1°	95521000	-	1
a	concealed item	01800180	-	1
b	adapter for exchanged connections	93181000	-	1