

Picta 2016
Thermostat for concealed installation for 2 functions
 Finish: **Chrome** Article Number: **13751000**



Description

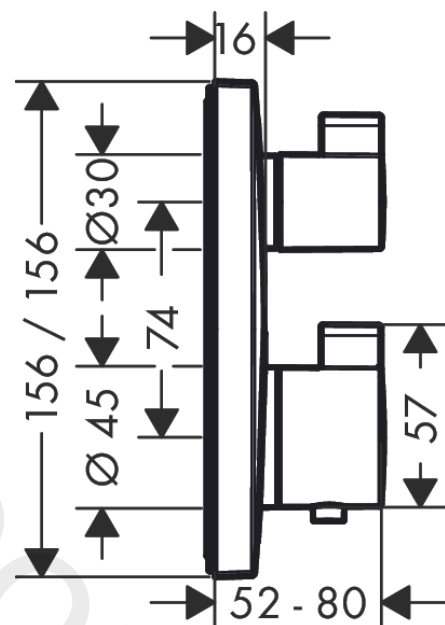
product features

- 2 functions
- thermostat cartridge, shut-off/ diverter valve
- maximum flow rate at 3 bar: 26 l/min
- Safety stop at 40 °C
- temperature limitation adjustable
- connection type: basic set

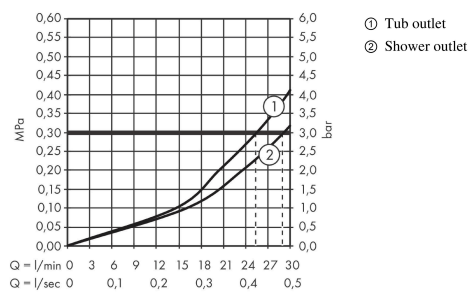
Product image



Scale drawing



Flowchart

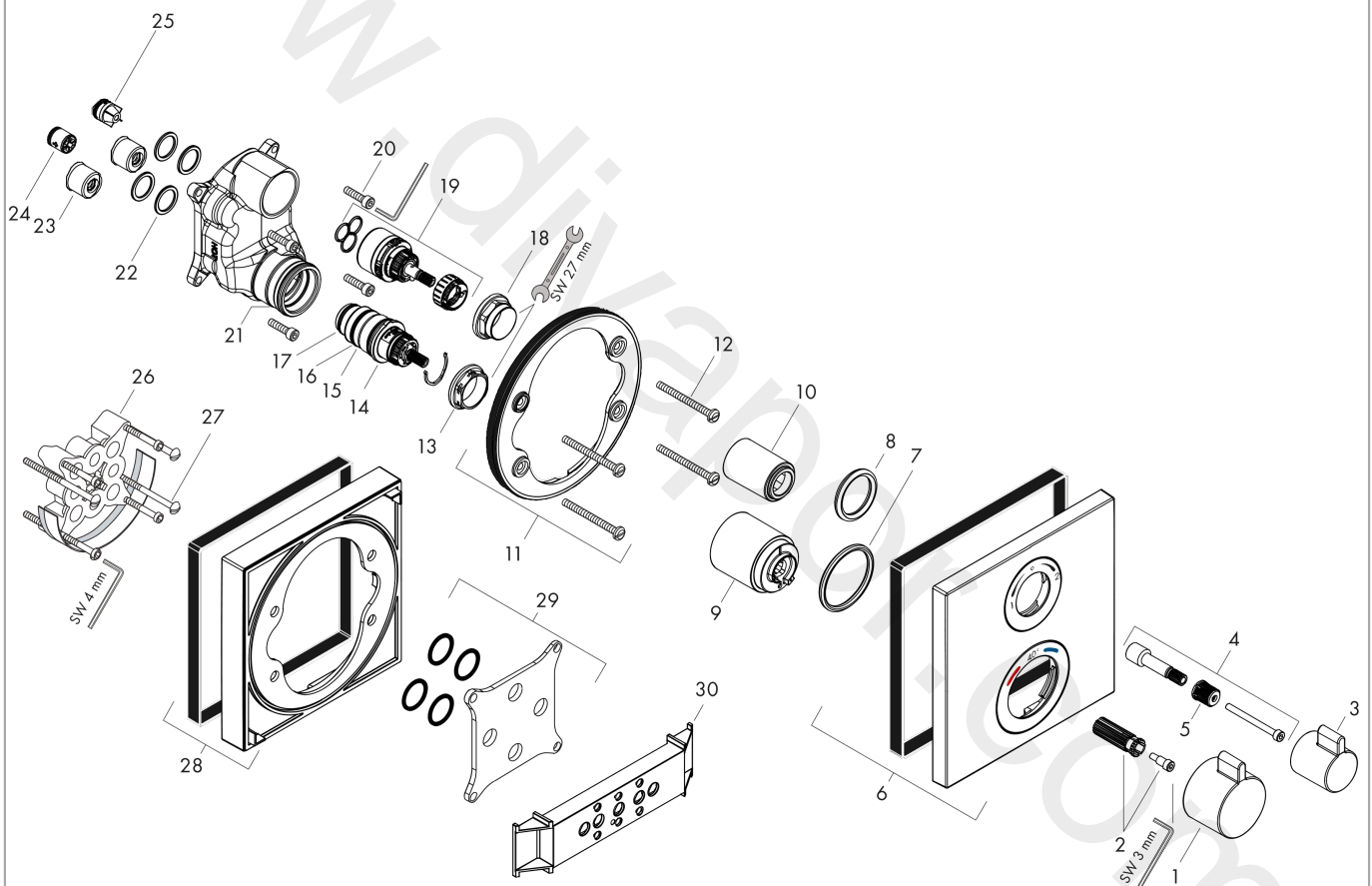


Picta 2016
Thermostat for concealed installation for 2 functions
 Finish: **Chrome** Article Number: **13751000**



Exploded Drawing

Year of production: >07/19



Picta 2016

Thermostat for concealed installation for 2 functions

Finish: **Chrome** Article Number: **13751000**



Spare part list

Year of production: >07/19

Pos.	Description	Article Number	Price	PU
1	handle for thermostat	92215000	-	1
2	handle fixing set	95843000	-	1
3	handle	92281000	-	1
4	adapter for handle	95252000	-	1
5	handle fixing set	98932000	-	1
6	escutcheon 155 / 155 mm	93241000	-	1
7	O-ring 44x4	98471000	-	1
8	O-ring 30x5	98153000	-	1
9	sleeve	92216000	-	1
10	sleeve	95253000	-	1
11	holder for escutcheon	98793000	-	1
12	set of fixing screws	96454000	-	1
13	nut	98913000	-	1
14	thermostat cartridge	98282000	-	1
15	O-ring 25x2,5	92146000	-	1
16	O-ring 25x1,5	98146000	-	1
17	O-ring 20x1,5	98197000	-	1
18	nut	95255000	-	1
19	shut off unit with selector	98283000	-	1
20	set of screws	96525000	-	1
21	O-ring 36x2	98156000	-	1
22	O-ring 16x2	98133000	-	1
23	noise reduction	94073000	-	1
24	non return valve (pressure-resistant up to 2 MPa)	92594000	-	1
25	set of non return valves DW 15	97350000	-	1
26	extension 25 mm	13595000	-	1
27	set of fixing screws	97747000	-	1
28	extension 22 mm	13593000	-	1
29	compensation set 1°	95521000	-	1
30	fit-up aid	92540000	-	1