

Picta 2016
Thermostat for concealed installation for 1 function
 Finish: **Chrome** Article Number: **13750000**



Description

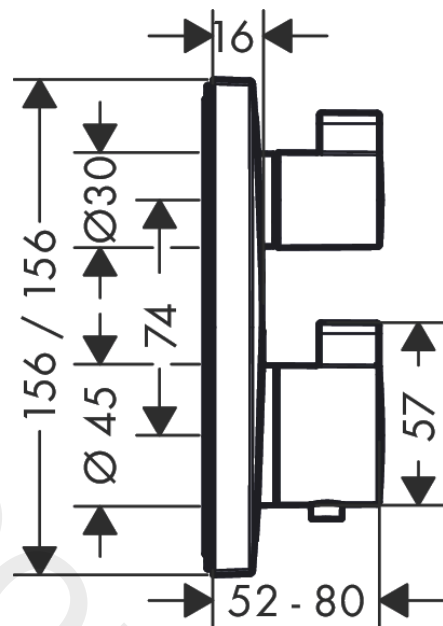
product features

- 1 function
- thermostat cartridge, shut-off/ diverter valve
- maximum flow rate at 3 bar: 26 l/min
- Safety stop at 40 °C
- temperature limitation adjustable
- connection type: basic set

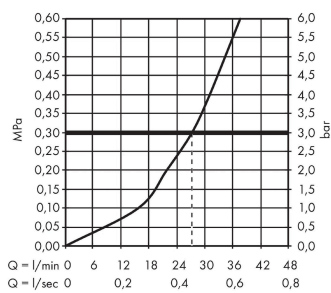
Product image



Scale drawing



Flowchart

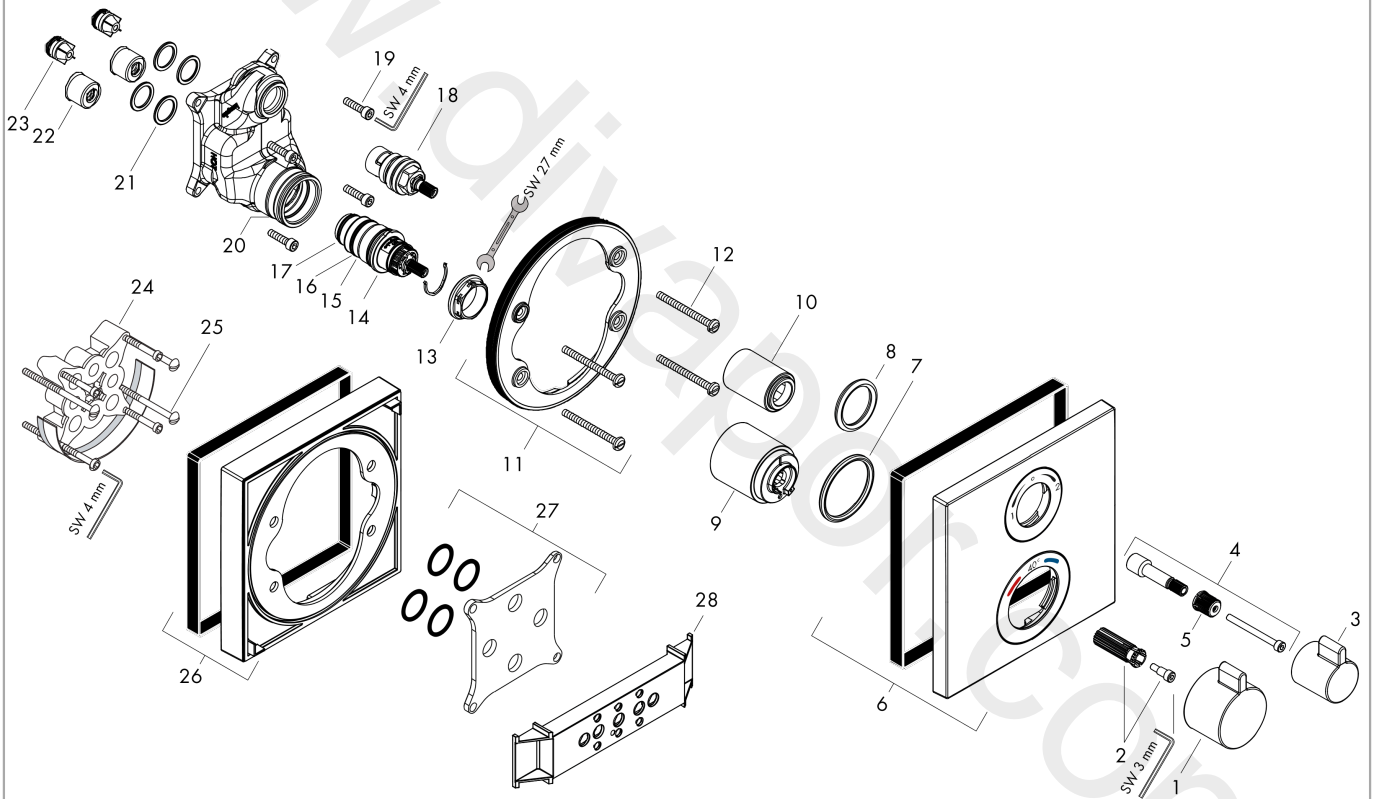


Picta 2016
Thermostat for concealed installation for 1 function
 Finish: **Chrome** Article Number: **13750000**



Exploded Drawing

Year of production: >07/18



Picta 2016

Thermostat for concealed installation for 1 function

Finish: **Chrome** Article Number: **13750000**



Spare part list

Year of production: >07/18

Pos.	Description	Article Number	Price	PU
1	handle for thermostat	92215000	-	1
2	adapter for handle	95252000	-	1
3	handle	92281000	-	1
4	handle fixing set	95843000	-	1
5	handle fixing set	98932000	-	1
6	escutcheon 155 / 155 mm	93242000	-	1
7	O-ring 44x4	98471000	-	1
8	O-ring 30x5	98153000	-	1
9	sleeve	92216000	-	1
10	sleeve	96446000	-	1
11	holder for escutcheon	98793000	-	1
12	set of fixing screws	96454000	-	1
13	nut	98913000	-	1
14	thermostat cartridge	98282000	-	1
15	O-ring 25x2,5	92146000	-	1
16	O-ring 25x1,5	98146000	-	1
17	O-ring 20x1,5	98197000	-	1
18	shut off unit right closing	94009000	-	1
19	set of screws	96525000	-	1
20	O-ring 36x2	98156000	-	1
21	O-ring 16x2	98133000	-	1
22	noise reduction	94073000	-	1
23	set of non return valves DW 15	97350000	-	1
24	extension 25 mm	13595000	-	1
25	set of fixing screws	97747000	-	1
26	extension 22 mm	13593000	-	1
27	compensation set 1°	95521000	-	1
28	fit-up aid	92540000	-	1
a	concealed item	01800180	-	1