

Picta 2016

Bath thermostat Comfort for exposed installation

Finish: **Chrome** Article Number: **13714000**



Description

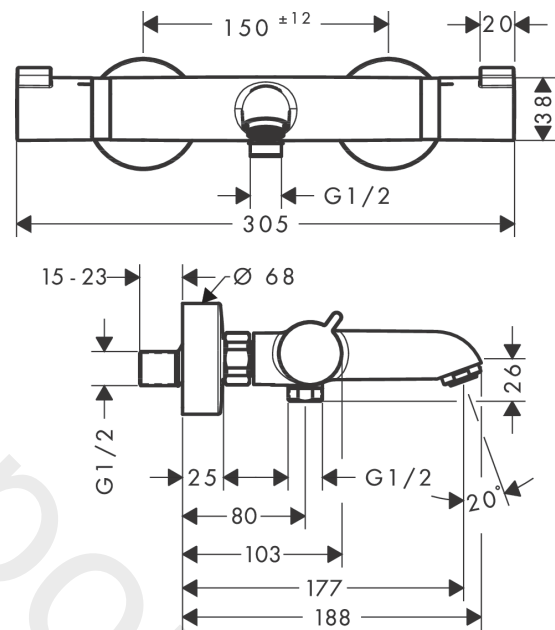
product features

- 1 function
- thermostat cartridge
- maximum flow rate at 3 bar: 26 l/min
- Safety stop at 40 °C
- temperature limitation adjustable
- connection type: basic set

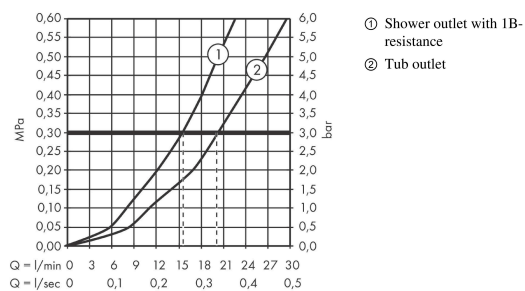
Product image



Scale drawing



Flowchart

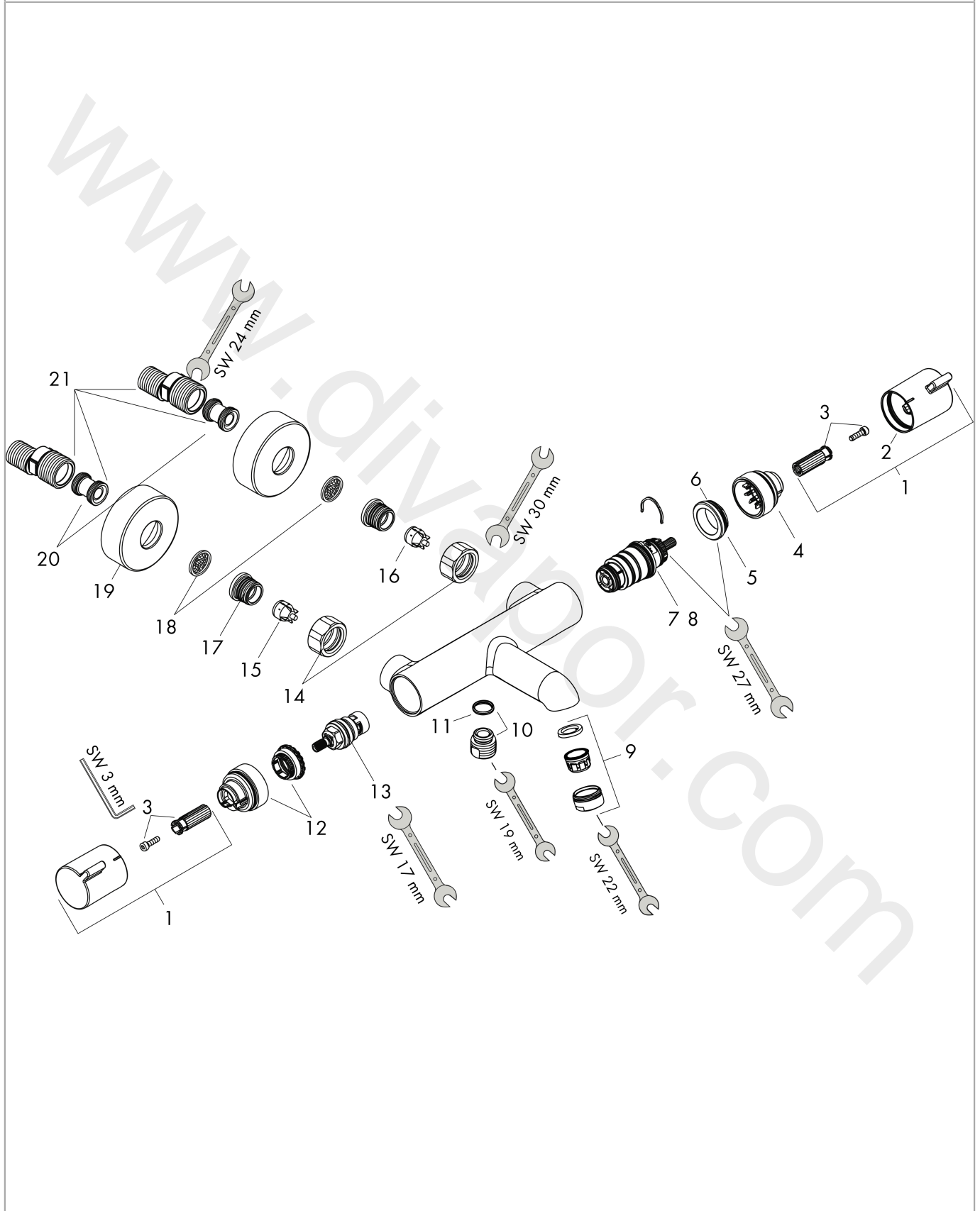


Picta 2016
Bath thermostat Comfort for exposed installation
 Finish: **Chrome** Article Number: **13714000**



Exploded Drawing

Year of production: >07/18



Picta 2016**Bath thermostat Comfort for exposed installation**Finish: **Chrome** Article Number: **13714000****Spare part list**

Year of production: >07/18

| Pos. | Description | Article Number | Price | PU |
|------|---|----------------|-------|----|
| 1 | handle | 95836000 | - | 1 |
| 2 | pushbutton | 92848000 | - | 1 |
| 3 | handle fixing set | 95843000 | - | 1 |
| 4 | safety set | 95839000 | - | 1 |
| 5 | nut | 98913000 | - | 1 |
| 6 | O-ring 26x1,5 | 98390000 | - | 1 |
| 7 | thermostat cartridge | 98282000 | - | 1 |
| 8 | cartridge for exchanged connections | 92373000 | - | 1 |
| 9 | aerator M24x1 (30 l/min) | 96512000 | - | 1 |
| 10 | connecting thread | 95392000 | - | 1 |
| 11 | O-ring 14x2 | 98129000 | - | 1 |
| 12 | shut off unit with selector | 98283000 | - | 1 |
| 13 | safety set | 95840000 | - | 1 |
| 14 | set of nuts | 96157000 | - | 1 |
| 15 | non return valve (pressure-resistant up to 2 MPa) | 93136000 | - | 1 |
| 16 | non return valve | 96737000 | - | 1 |
| 17 | O-ring 17x1,5 | 98137000 | - | 1 |
| 18 | filter packing | 96922000 | - | 1 |
| 19 | escutcheon Ø 68 mm | 96467000 | - | 1 |
| 20 | noise reduction | 96429000 | - | 1 |
| 21 | set of S-unions (±12 mm) | 94140000 | - | 1 |
| a | set of S-unions (±32 mm) | 98592000 | - | 1 |
| b | brake disc | 92469000 | - | 1 |