

sBox

Rim and tile mounted bath basic set

Finish: n.a. Article Number: 13560180



Description

product features

- suitable for rim or tile mounted installation
- 1 function
- connection thread G ½
- connection dimension: DN15
- connection hose length: 600 mm
- bath rim width at least 100 mm
- drilling diameter on bath tub: two drilled holes Ø 50/51 mm and connection by sawing out required (consider template)
- clamping range: 0 - 30 mm
- WRAS 1907041

Article Details

Price excl. VAT

58,33 £

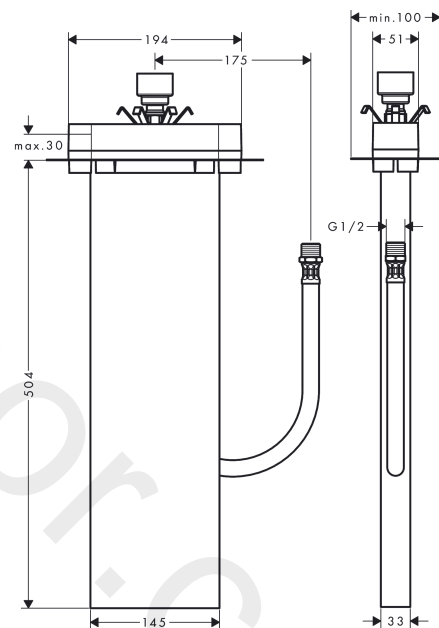
Certificates / Sustainability



Product image

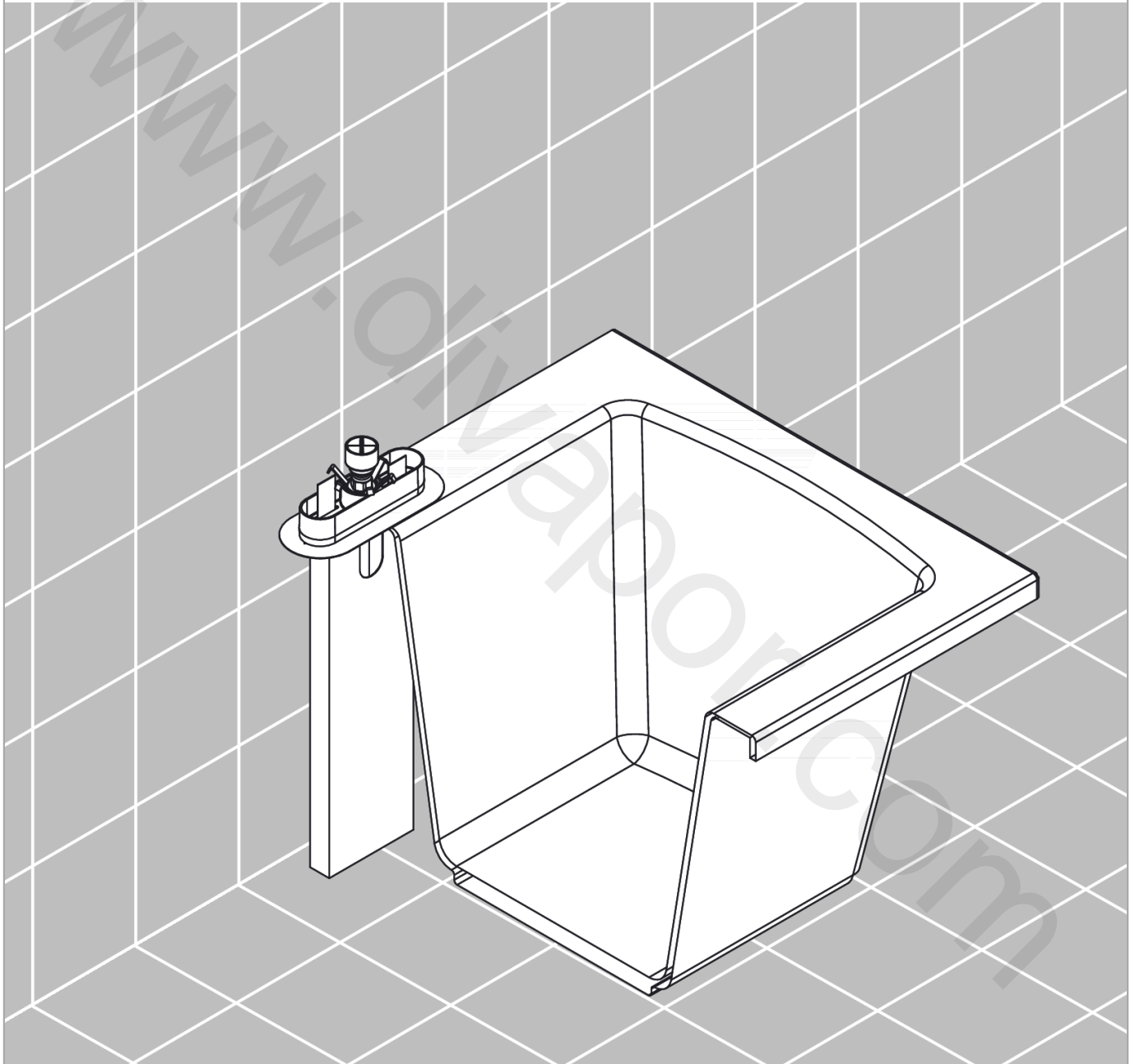


Scale drawing



sBox**Rim and tile mounted bath basic set**Finish: n.a. Article Number: **13560180**

Installation examples

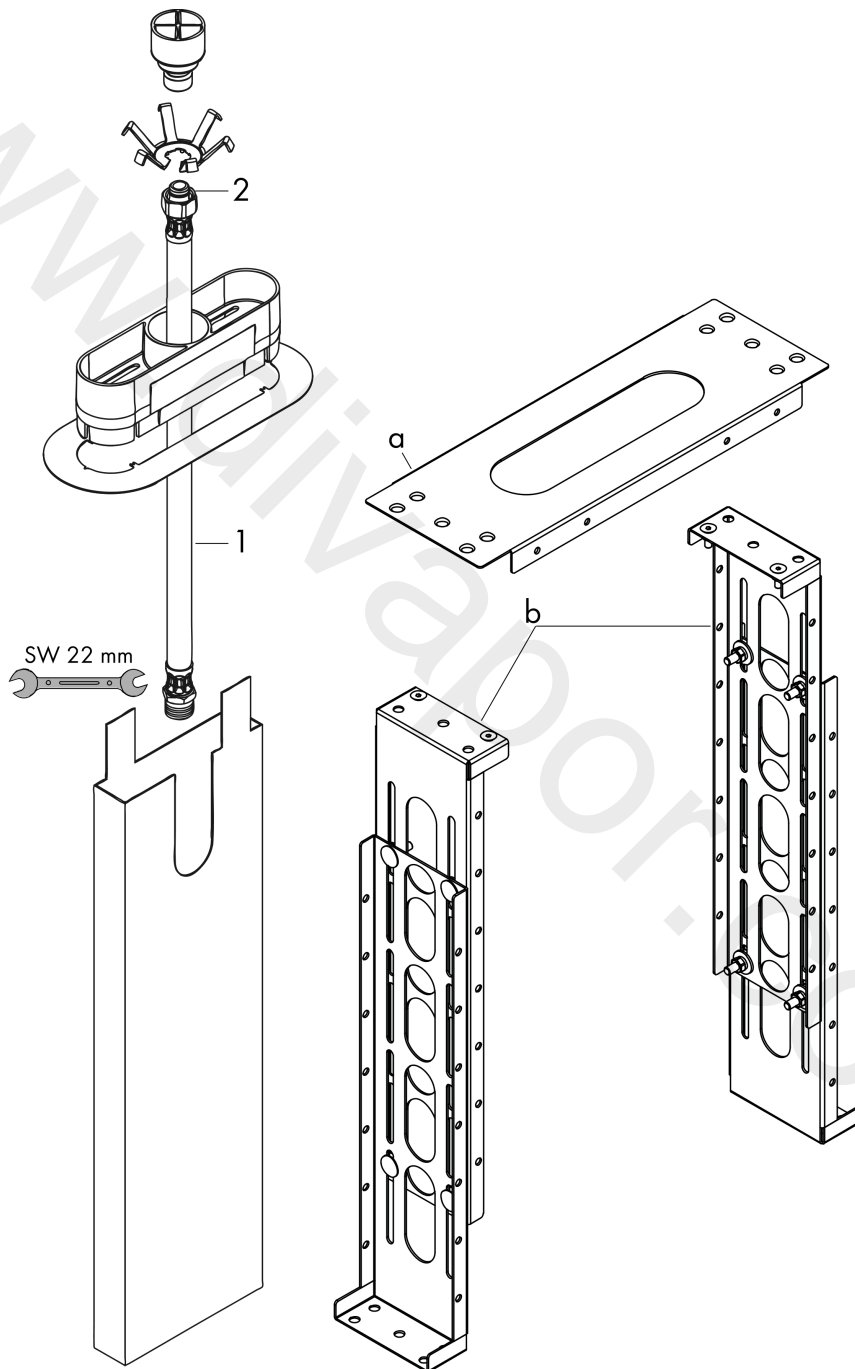


sBox
Rim and tile mounted bath basic set
 Finish: n.a. Article Number: **13560180**



Exploded Drawing

Year of production: >04/19



sBox**Rim and tile mounted bath basic set**Finish: n.a. Article Number: **13560180****Spare part list**

Year of production: >04/19

| Pos. | Description | Article Number | Price | PU |
|------|--------------------|----------------|----------|----|
| 1 | pressure hose | 96565000 | £ 43,00 | 1 |
| 2 | O-ring 11x2 | 98127000 | £ 3,30 | 1 |
| a | installation plate | 28016000 | £ 87,00 | 1 |
| b | installation frame | 28021000 | £ 212,00 | 1 |