

## Basic set for 2-hole rim mounted thermostat

Finish: n.a. Article Number: **13550187**



### Description

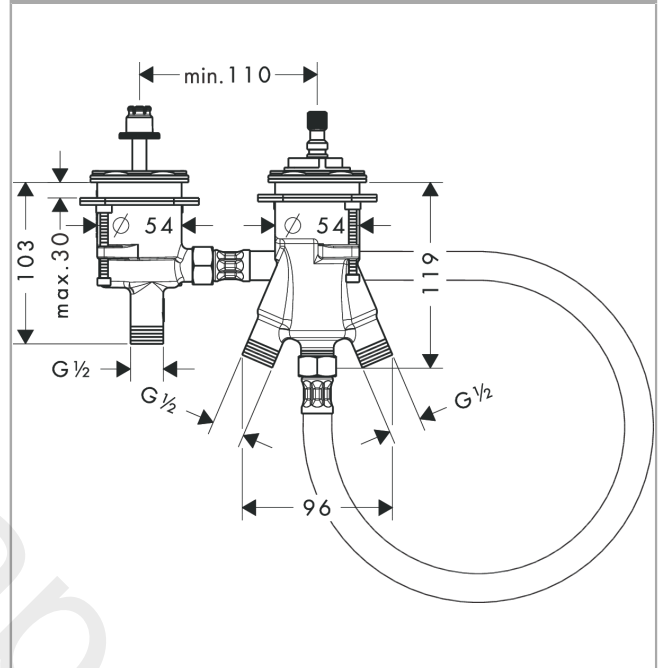
#### product features

- suitable for remote spout
- connection thread: G 1/2
- connection dimension: DN15

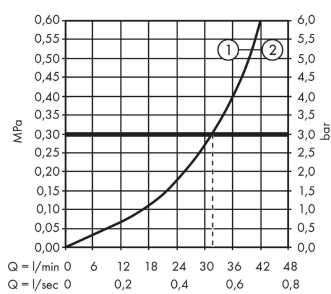
### Product image



### Scale drawing



### Flowchart



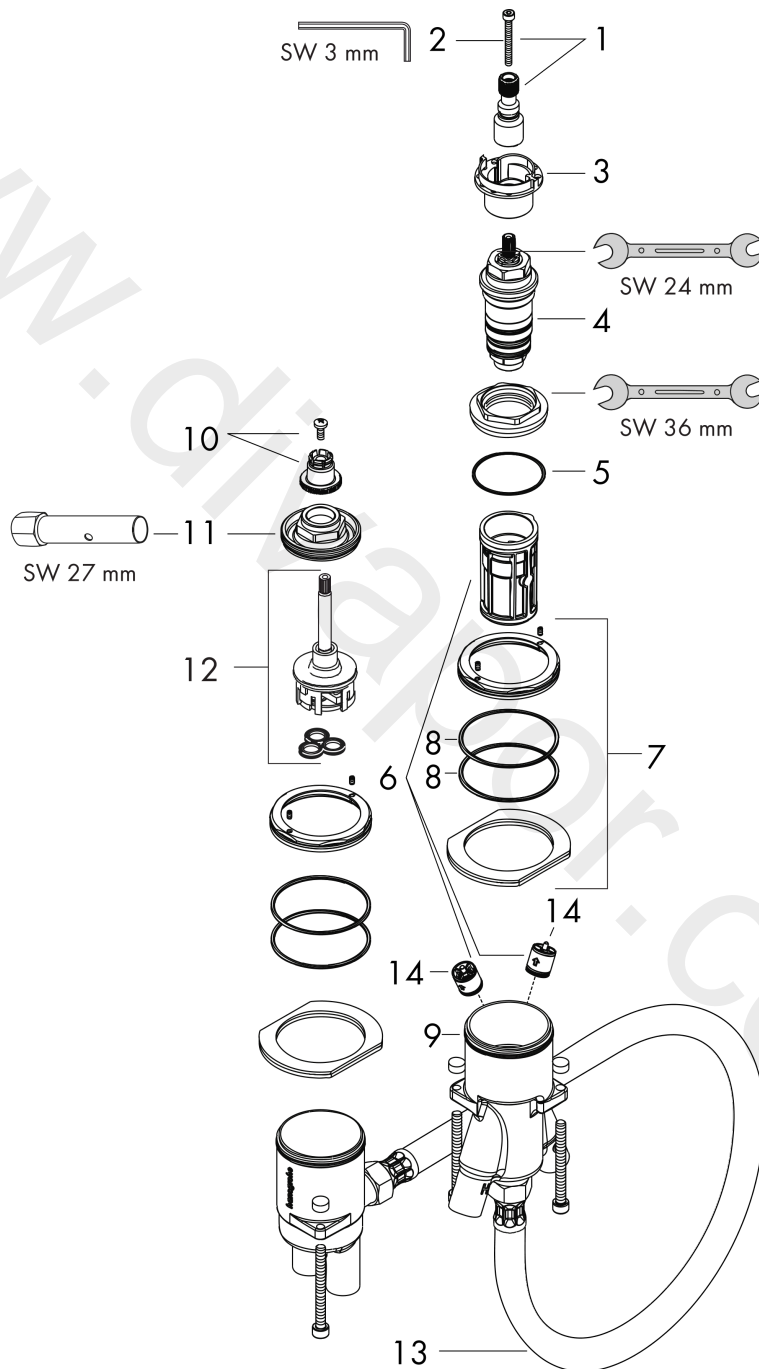
① Outlet 1  
② Outlet 2

**Basic set for 2-hole rim mounted thermostat**  
 Finish: n.a. Article Number: 13550187



**Exploded Drawing**

Year of production: >11/18



**Basic set for 2-hole rim mounted thermostat**Finish: n.a. Article Number: **13550187****Spare part list**

Year of production: &gt;11/18

Pos.	Description	Article Number	Price	PU
1	adapter for handle	97108000	£ 20,50	1
2	hexagon socket screw M4x35	92160000	£ 3,30	1
3	safety set for temperature control	96626000	£ 35,00	1
4	thermostat cartridge	94282000	£ 137,00	1
5	O-ring 41x1,5	98168000	£ 3,30	1
6	service set	95183000	£ 20,50	1
7	fixing set	96926000	£ 79,00	1
8	O-ring 57x2	98210000	£ 3,30	1
9	O-Ring 50x2	98187000	£ 3,30	1
10	handle fixing set	94184000	£ 6,10	1
11	nut	97550000	£ 16,10	1
12	diverter unit	92371000	£ 64,00	1
13	connection hose 600 mm G½ x G½	25928000	£ 51,00	1
14	set of non return valves DW 15	94074000	£ 16,10	1
a	set of unions	96387000	£ 87,00	1