

Basic set for 2-hole rim mounted thermostat

Finish: n.a. Article Number: **13550180**



Description

product features

- suitable for remote spout
- connection thread: G 1/2
- connection dimension: DN15
- flow rate upper outlet: 32 l/min
- flow rate lower outlet: 32 l/min

Article Details

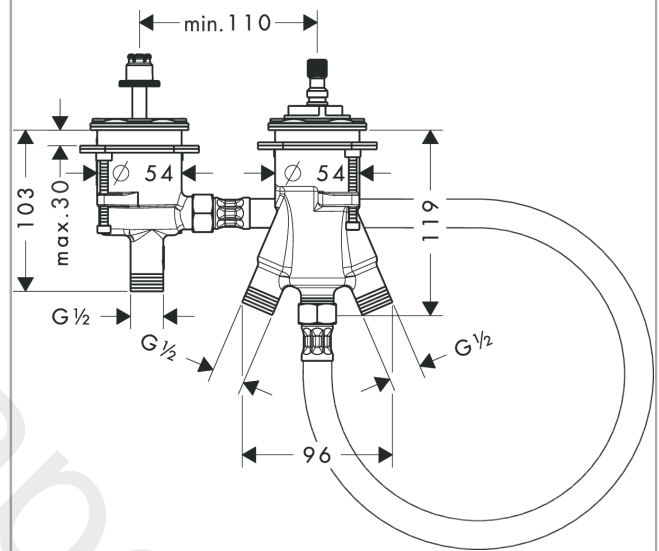
Price excl. VAT

975,00 £

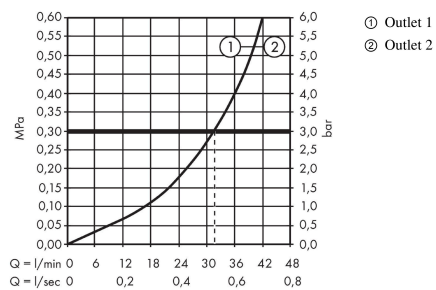
Product image



Scale drawing



Flowchart



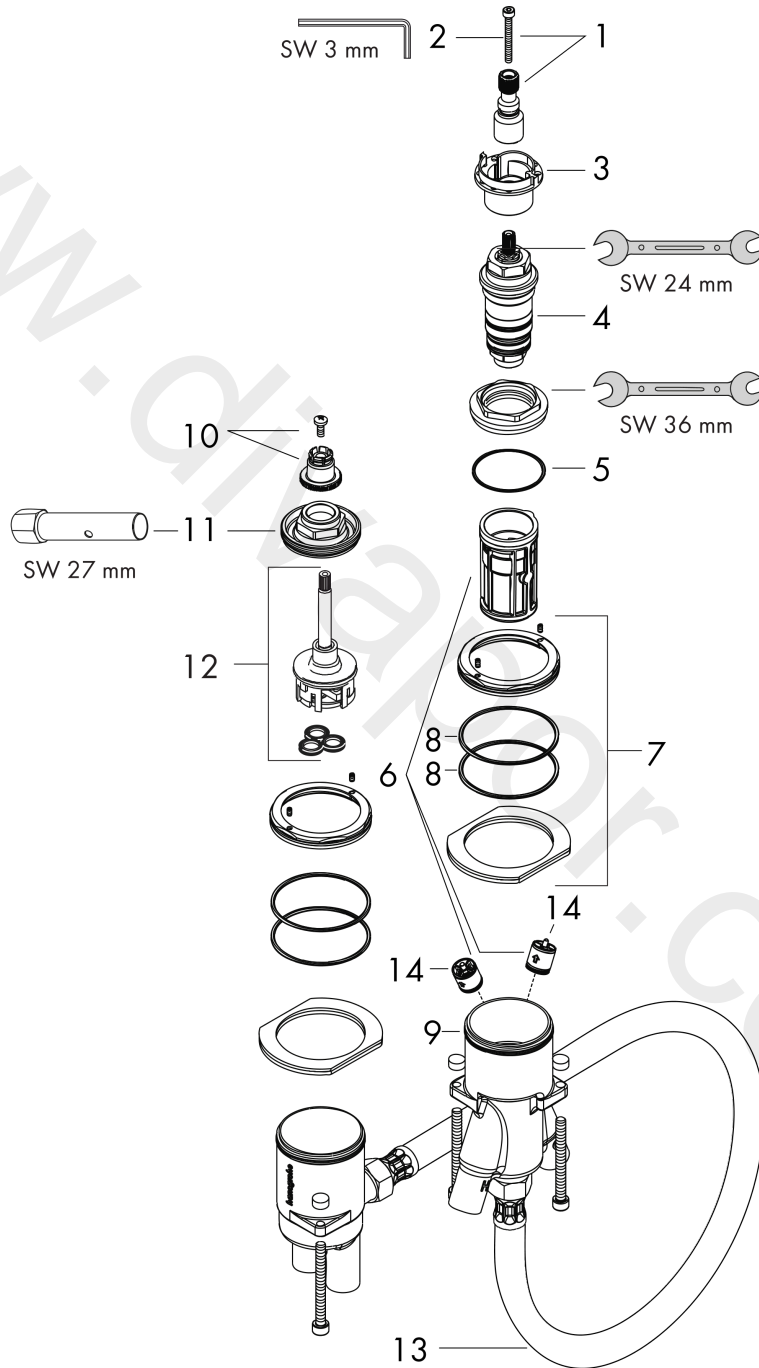
Basic set for 2-hole rim mounted thermostat

Finish: n.a. Article Number: 13550180



Exploded Drawing

Year of production: >08/07



Basic set for 2-hole rim mounted thermostat

Finish: n.a. Article Number: **13550180**



Spare part list

Year of production: >08/07

| Pos. | Description | Article Number | Price | PU |
|------|------------------------------------|----------------|----------|----|
| 1 | adapter for handle | 97108000 | £ 20,50 | 1 |
| 2 | hexagon socket screw M4x35 | 92160000 | £ 3,30 | 1 |
| 3 | safety set for temperature control | 96626000 | £ 35,00 | 1 |
| 4 | thermostat cartridge | 94282000 | £ 137,00 | 1 |
| 5 | O-ring 41x1,5 | 98168000 | £ 3,30 | 1 |
| 6 | service set | 95183000 | £ 20,50 | 1 |
| 7 | fixing set | 96926000 | £ 79,00 | 1 |
| 8 | O-ring 57x2 | 98210000 | £ 3,30 | 1 |
| 9 | O-Ring 50x2 | 98187000 | £ 3,30 | 1 |
| 10 | handle fixing set | 94184000 | £ 6,10 | 1 |
| 11 | nut | 97550000 | £ 16,10 | 1 |
| 12 | diverter unit | 92371000 | £ 64,00 | 1 |
| 13 | connection hose 600 mm G½ x G½ | 25928000 | £ 51,00 | 1 |
| 14 | set of non return valves DW 15 | 94074000 | £ 16,10 | 1 |
| a | set of unions | 96387000 | £ 87,00 | 1 |