

Bath spout 15.2 cm with diverter valve
 Finish: **Chrome** Article Number: **13423000**



Description

product features

- 2 functions
- connection type: G 1/2
- with automatic resetting
- with escutcheon
- projection: 152 mm
- wall-mounted
- maximum flow rate at 3 bar: 25 l/min
- connection dimension: DN15
- protected against backflow, according to DIN EN 1717

Article Details

Price excl. VAT

143,33 £

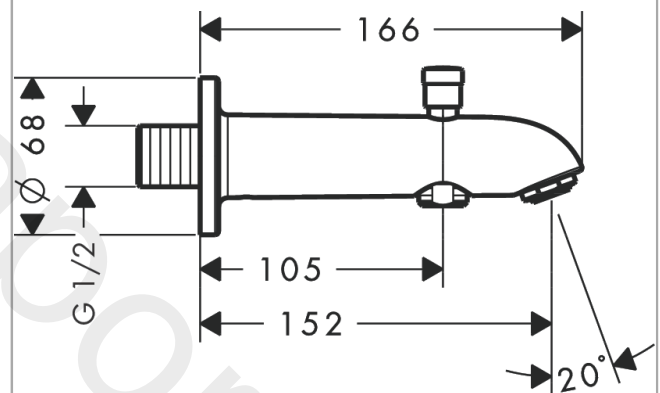
Technology



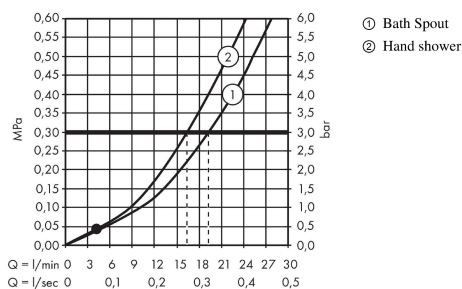
Product image



Scale drawing



Flowchart

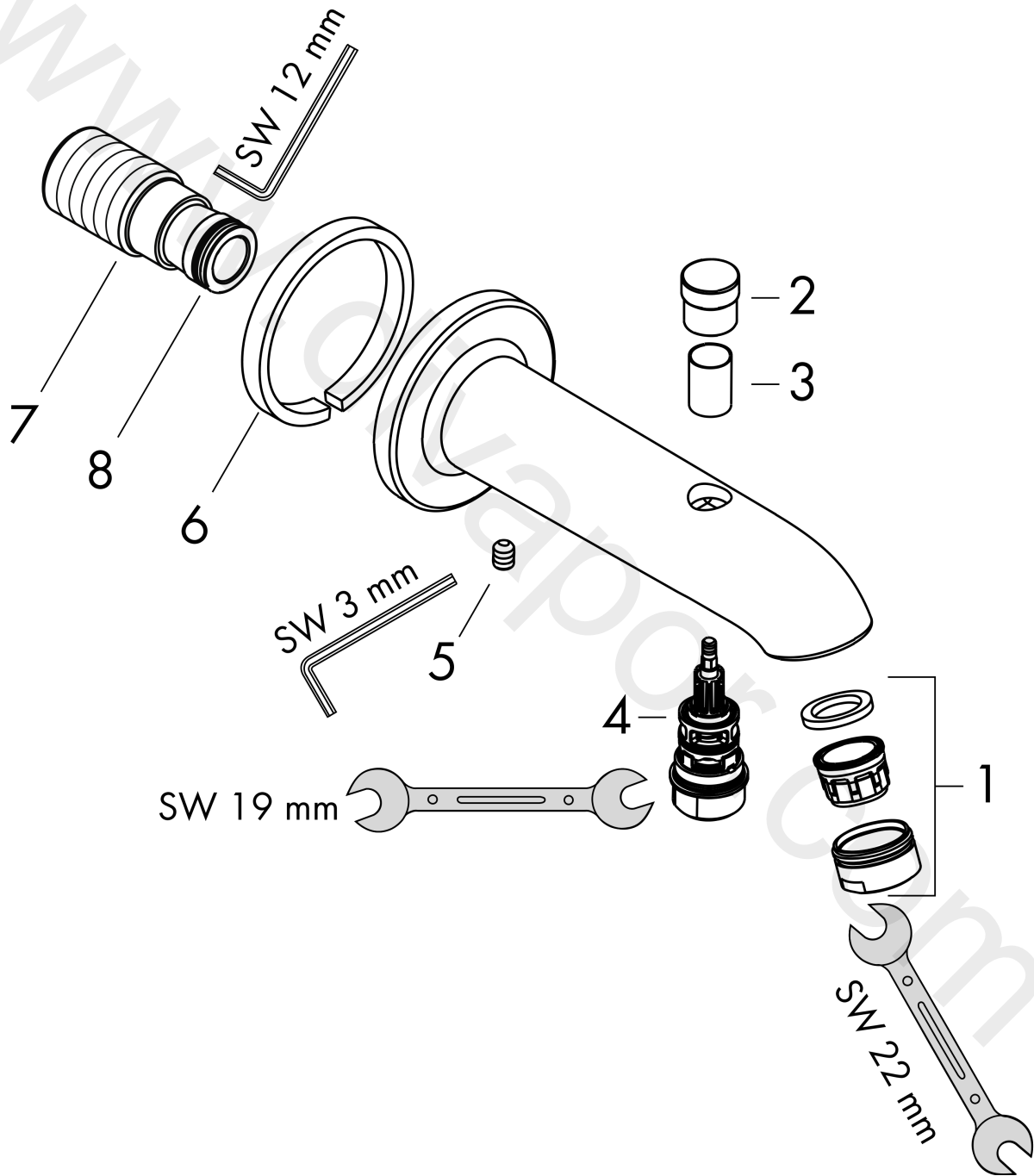


Bath spout 15.2 cm with diverter valve
 Finish: **Chrome** Article Number: **13423000**



Exploded Drawing

Year of production: >05/20



Bath spout 15.2 cm with diverter valve
 Finish: **Chrome** Article Number: **13423000**



Spare part list

Year of production: >05/20

Pos.	Description	Article Number	Price	PU
1	aerator M24x1 (25 l/min)	13914000	£ 19,50	1
2	diverter knob	97981000	£ 20,50	1
3	sleeve	97979000	£ 16,10	1
4	selector	97978000	£ 64,00	1
5	hollow set screw M6x8	97810000	£ 3,30	1
6	seal	97530000	£ 6,10	1
7	connecting thread G½	95739000	£ 25,00	1
8	O-ring 16x2,5	98134000	£ 3,30	1
a	diverter fixing device	97211000	£ 3,30	1