

Basic set for 4-hole rim mounted bath mixer

Finish: n.a. Article Number: **13244180**



Description

product features

- consists of: basic set, shower holder, shower hose
- maximum pull-out length of hand shower: 1.60 m
- maintenance opening required
- suitable for 4-hole rim mounted bath mixer
- connection thread: G ½
- connection dimension: DN15
- ceramic valves hot/cold 90°
- WRAS 2205009
- WRAS 2205009 - Approval letter

Article Details

Price excl. VAT

379,17 £

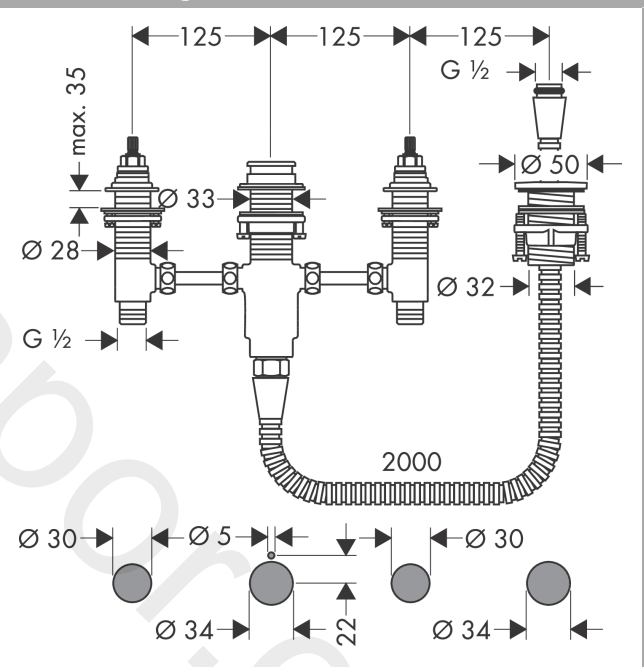
Certificates / Sustainability



Product image



Scale drawing



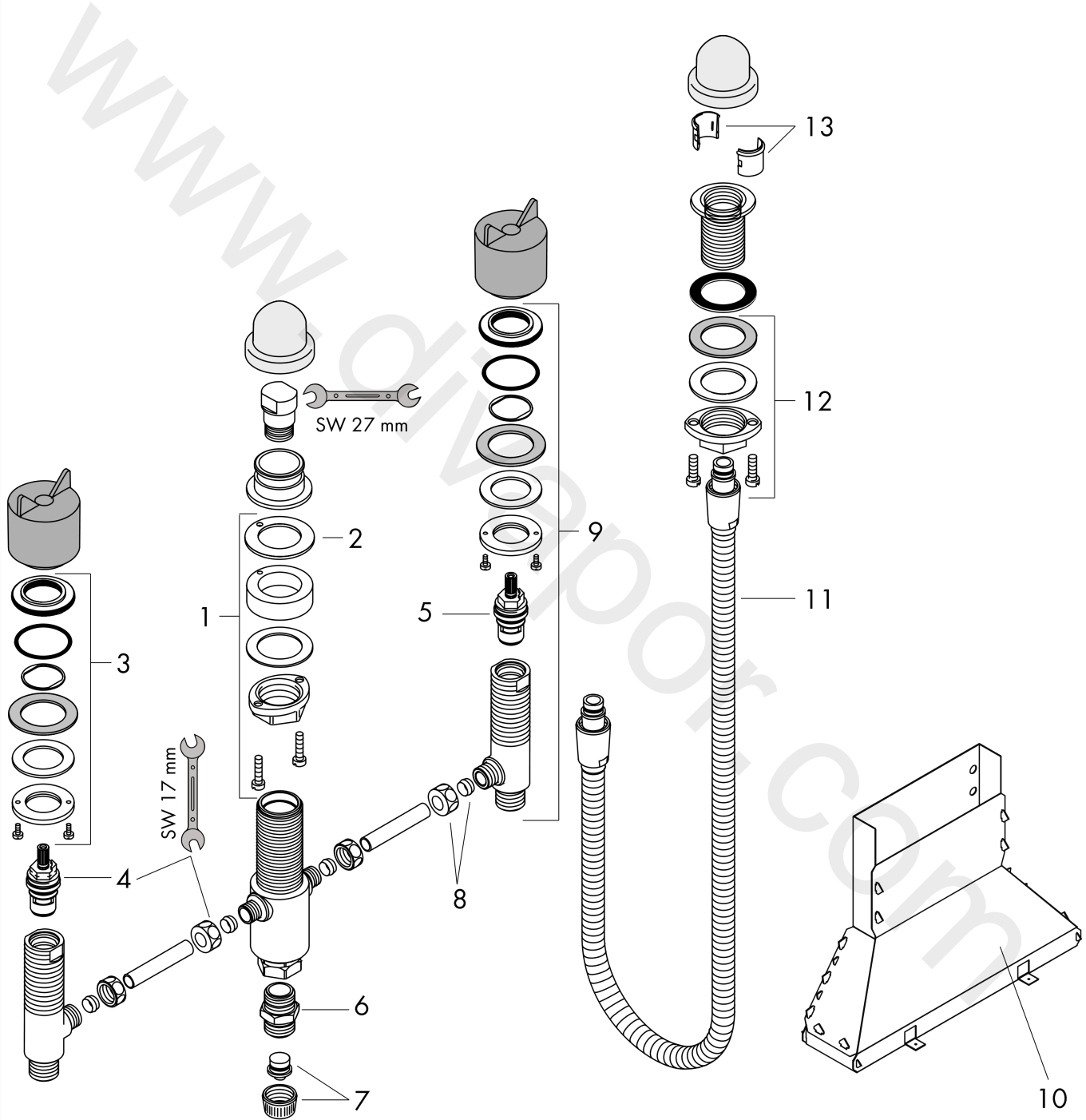
Basic set for 4-hole rim mounted bath mixer

Finish: n.a. Article Number: 13244180



Exploded Drawing

Year of production: >06/09



Basic set for 4-hole rim mounted bath mixerFinish: n.a. Article Number: **13244180****Spare part list**

Year of production: >06/09

Pos.	Description	Article Number	Price	PU
1	fixing set for 4 hole bath mixer spout	96080000	£ 51,00	1
2	seal	92582000	£ 3,30	1
3	fixing set for shut off unit	96078000	£ 35,00	1
4	shut off unit right closing	94009000	£ 43,00	1
5	shut off unit left closing	94008000	£ 43,00	1
6	connecting thread	97160000	£ 35,00	1
7	plug	97568000	£ 9,00	1
8	squeezing connection	88513000	£ 16,10	1
9	stop valve cpl.	95660000	£ 110,00	1
10	Secuflexbox	28389000	£ 64,00	1
11	shower hose	97161000	£ 79,00	1
12	fixing set (Ø 32)	13961000	£ 25,00	1
13	insert for shower holder	96942000	£ 13,30	1
a	fixation extension 35 mm	13898000	£ 79,00	1