

Ecostat

Shower thermostat 1001 CL for exposed installation Nordic-DZR

Finish: **Chrome** Article Number: **13206000**



Description

product features

- 1 function
- EcoStop button limits the water consumption to 10 l/min
- thermostat cartridge, ceramic valve 180°
- maximum flow rate at 3 bar: 17 l/min
- min. operating pressure: 1 bar
- max. operating pressure: 10 bar
- safety stop at 40 °C
- temperature limitation adjustable
- non-return valve
- material handles: metal
- centre distance: 150 ± 12 mm
- connection dimension: DN15
- connection type: s-shaped connections

Technology



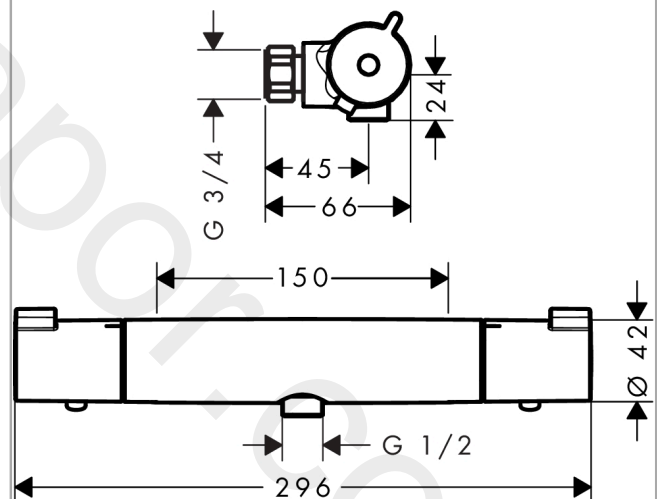
Certificates / Sustainability



Product image



Scale drawing



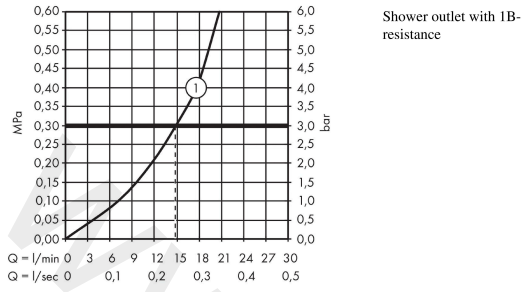
Ecostat

Shower thermostat 1001 CL for exposed installation Nordic-DZR

Finish: **Chrome** Article Number: **13206000**



Flowchart

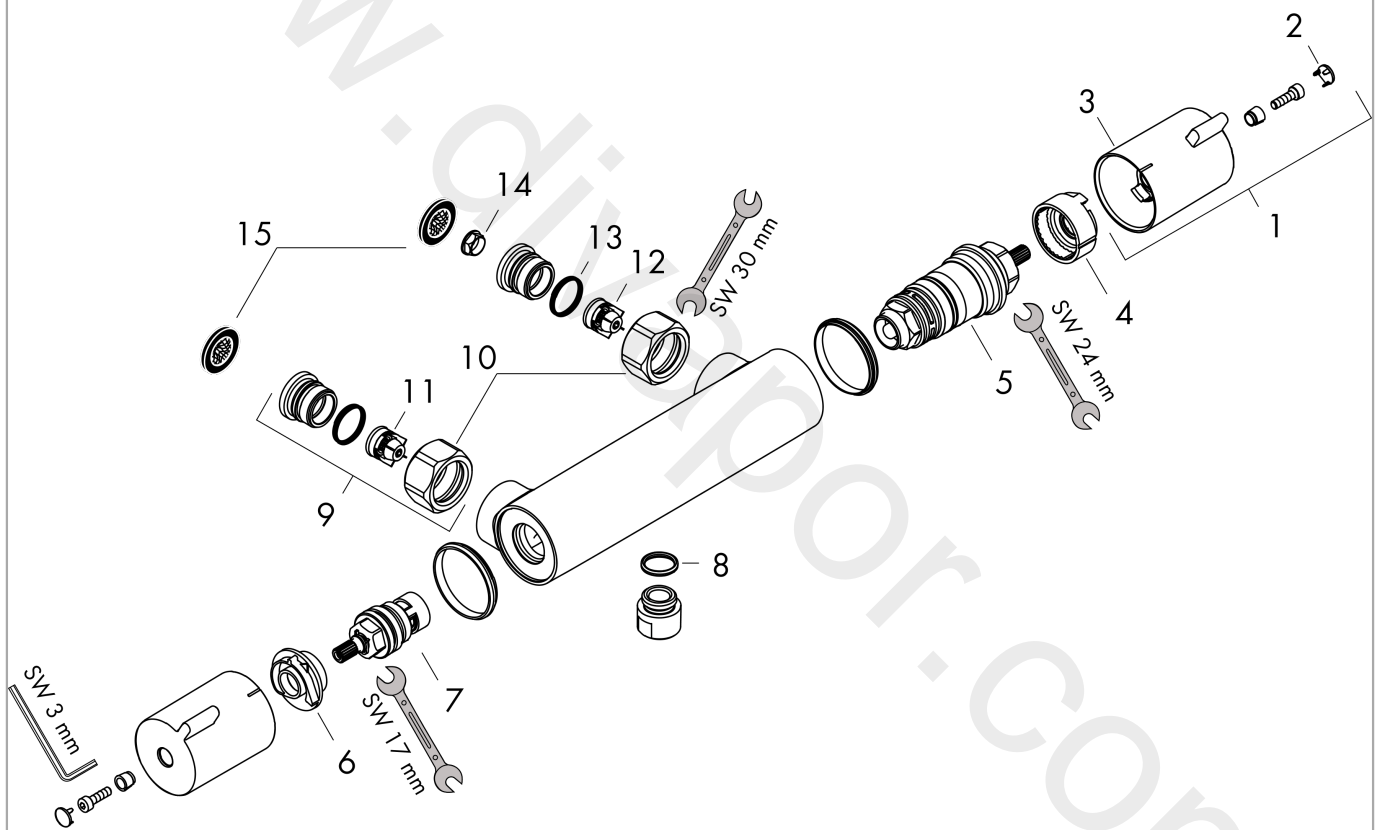


Ecostat
Shower thermostat 1001 CL for exposed installation Nordic-DZR
 Finish: **Chrome** Article Number: **13206000**



Exploded Drawing

Year of production: >08/20



Ecostat

Shower thermostat 1001 CL for exposed installation Nordic-DZR

Finish: **Chrome** Article Number: **13206000**



Spare part list

Year of production: >08/20

Pos.	Description	Article Number	Price	PU
1	handle	92836000	£ 43,00	1
2	cover cap	95433000	£ 6,10	1
3	pushbutton	92848000	£ 6,10	1
4	safety set for temperature control	95041000	£ 16,10	1
5	thermostat cartridge	94282000	£ 137,00	1
6	safety set for flow control	95042000	£ 16,10	1
7	shut off unit	94149000	£ 35,00	1
8	O-ring 14x2	98129000	£ 3,30	1
9	set of unions	94285000	£ 67,00	1
10	set of nuts	96157000	£ 35,00	1
11	non return valve (pressure-resistant up to 2 MPa)	93136000	£ 35,00	1
12	non return valve	96737000	£ 35,00	1
13	O-ring 17x1,5	98137000	£ 3,30	1
14	flow limiter	97510000	£ 13,30	1
15	filter packing	96922000	£ 9,00	1
a	Grease	90920000	£ 16,10	1