

Ecostat

Bath thermostat Comfort for exposed installation DZR

Finish: **Chrome** Article Number: **13186000**



Description

product features

- projection 152 mm
- 2 functions
- shut-off/ diverter valve, thermostat cartridge
- maximum flow rate at 3 bar: 17 l/min
- flow rate for bath spout at 3 bar: 17 l/min
- flow rate of hand shower at 3 bar: 13 l/min
- safety stop at 40 °C
- temperature limitation adjustable
- non-return valve
- with silencer
- suitable for continuous flow water heaters
- connection dimension: DN15
- connection type: G 1/2
- wall-mounted
- centre distance: 150 ± 12 mm
- dirt filter included

Technology



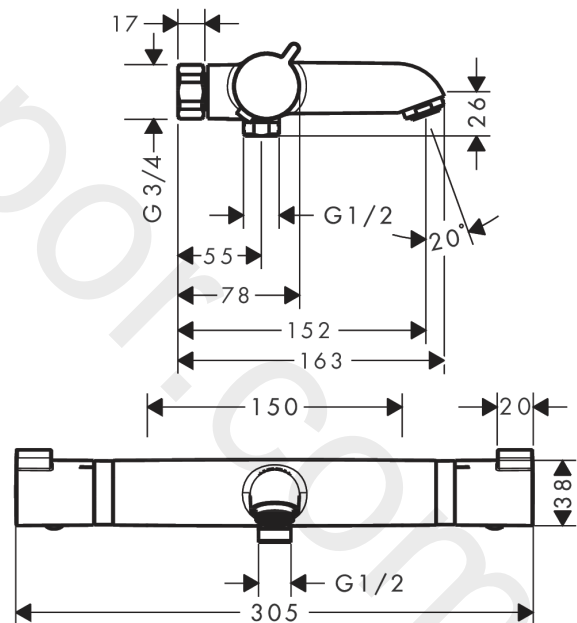
Certificates / Sustainability



Product image



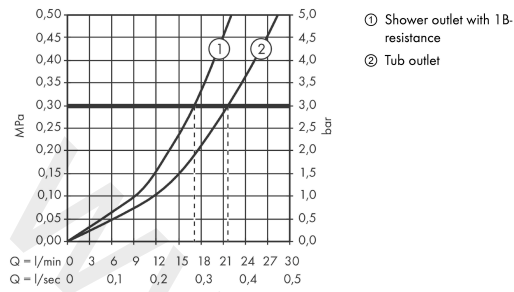
Scale drawing



Ecostat
Bath thermostat Comfort for exposed installation DZR
 Finish: **Chrome** Article Number: **13186000**



Flowchart

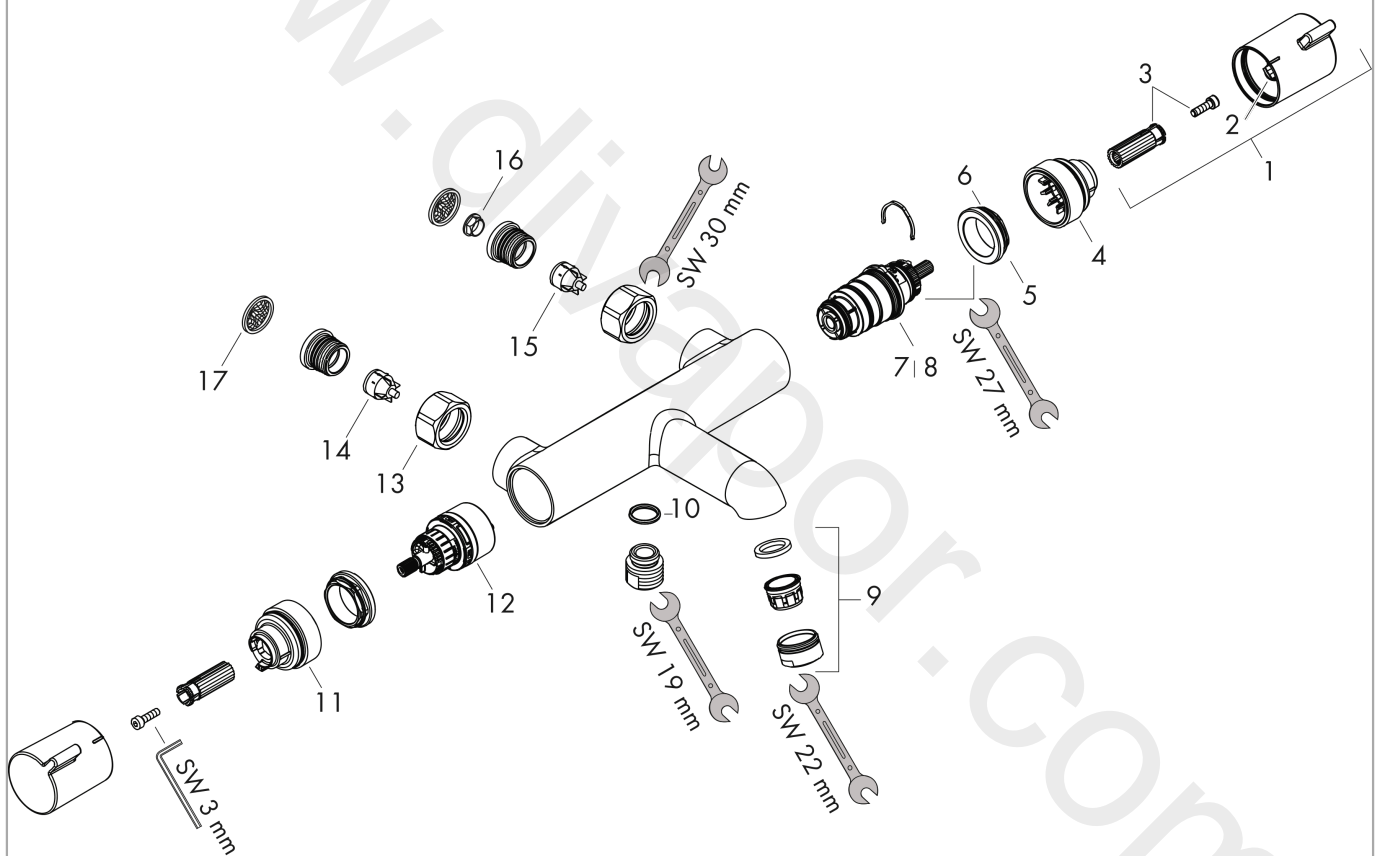


Ecostat
Bath thermostat Comfort for exposed installation DZR
 Finish: **Chrome** Article Number: **13186000**



Exploded Drawing

Year of production: >03/20



Ecostat**Bath thermostat Comfort for exposed installation DZR**Finish: **Chrome** Article Number: **13186000****Spare part list**

Year of production: >03/20

Pos.	Description	Article Number	Price	PU
1	handle	95836000	£ 35,00	1
2	pushbutton	92848000	£ 6,10	1
3	handle fixing set	95843000	£ 9,00	1
4	safety set	95839000	£ 20,50	1
5	nut	98913000	£ 20,50	1
6	O-ring 26x1,5	98390000	£ 3,30	1
7	thermostat cartridge	98282000	£ 110,00	1
8	cartridge for exchanged connections	92373000	£ 275,00	1
9	aerator M24x1 (30 l/min)	96512000	£ 16,10	1
10	O-ring 14x2	98129000	£ 3,30	1
11	safety set	95840000	£ 20,50	1
12	shut off unit with selector	98283000	£ 79,00	1
13	set of nuts	96157000	£ 35,00	1
14	non return valve (pressure-resistant up to 2 MPa)	93136000	£ 35,00	1
15	non return valve	96737000	£ 35,00	1
16	flow limiter	97510000	£ 13,30	1
17	filter packing	96922000	£ 9,00	1