

## Ecostat

### Shower thermostat Comfort for exposed installation 3 ticks

Finish: **Matt Black** Article Number: **13179679**



#### Description

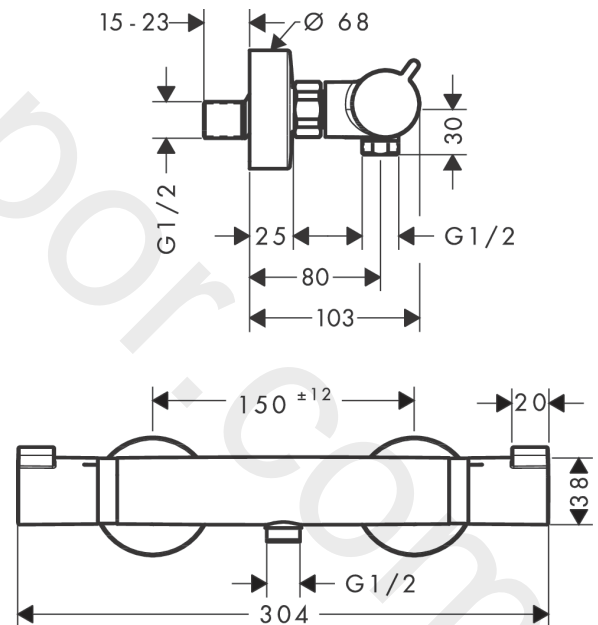
##### product features

- 1 function
- EcoStop button limits the water consumption to 10 l/min
- thermostat cartridge, ceramic valve 180°
- maximum flow rate at 3 bar: 4 l/min
- min. operating pressure: 1 bar
- max. operating pressure: 10 bar
- Safety stop at 40 °C
- temperature limitation adjustable
- non-return valve
- with silencer
- material handles: metal
- centre distance: 150 ± 12 mm
- connection dimension: DN15
- connection type: s-shaped connections
- dirt filter included

#### Product image



#### Scale drawing



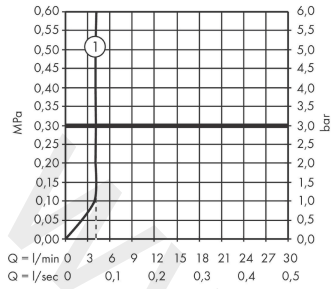
**Ecostat**

**Shower thermostat Comfort for exposed installation 3 ticks**

Finish: **Matt Black** Article Number: **13179679**



**Flowchart**



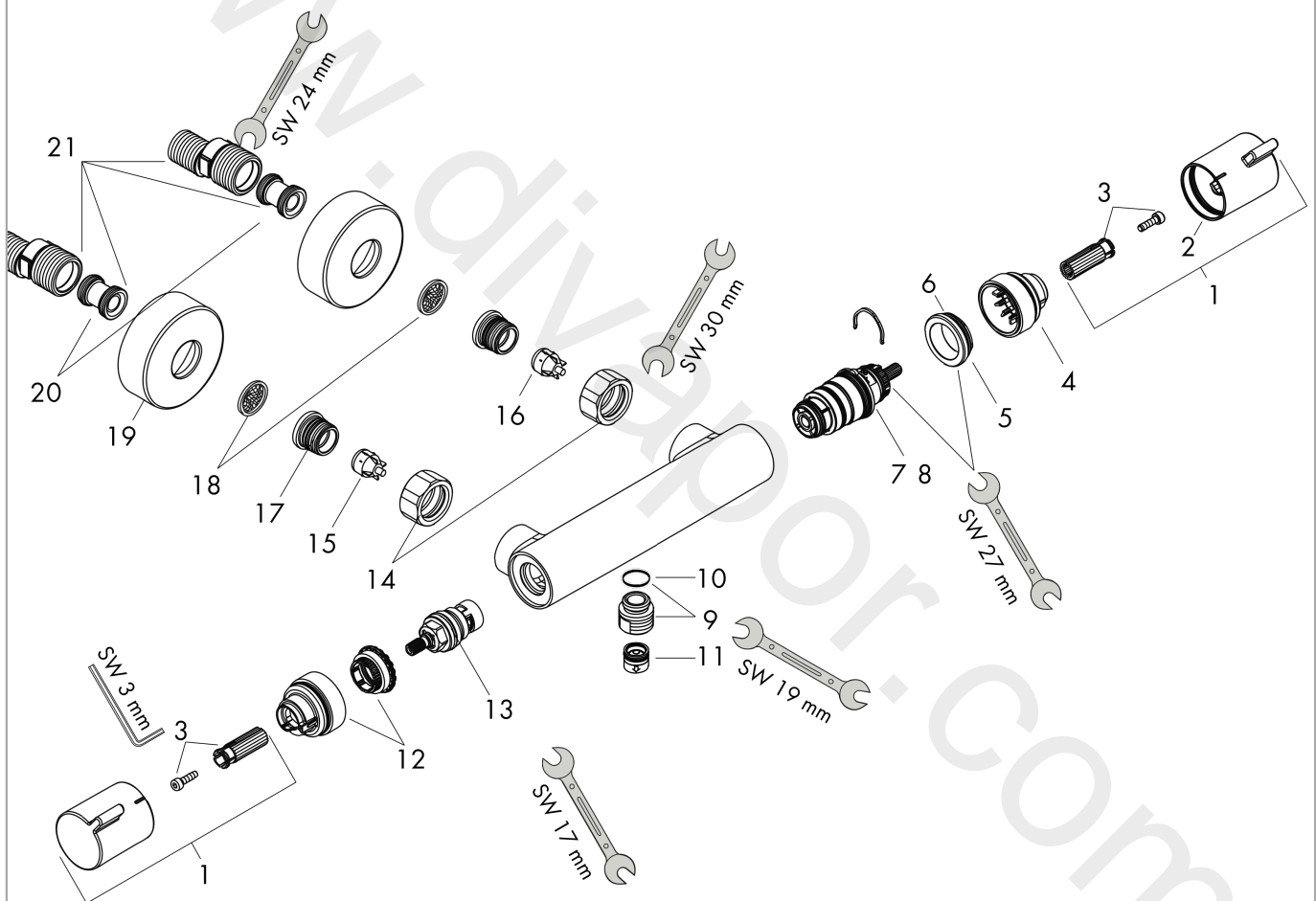
www.divapor.com

**Ecostat**  
**Shower thermostat Comfort for exposed installation 3 ticks**  
 Finish: **Matt Black** Article Number: **13179679**



**Exploded Drawing**

Year of production: >04/20



**Ecostat****Shower thermostat Comfort for exposed installation 3 ticks**Finish: **Matt Black** Article Number: **13179679****Spare part list**

Year of production: &gt;04/20

Pos.	Description	Article Number	Price	PU
1	handle	95836670	£ 51,00	1
2	pushbutton	92848670	£ 9,00	1
3	handle fixing set	95843000	£ 9,00	1
4	safety set	95839000	£ 20,50	1
5	O-ring 26x1,5	98390000	£ 3,30	1
6	nut	98913000	£ 20,50	1
7	thermostat cartridge	98282000	£ 110,00	1
8	cartridge for exchanged connections	92373000	£ 275,00	1
9	connecting thread	95392670	£ 33,00	1
10	O-ring 14x2	98129000	£ 3,30	1
11	non return valve	92719000	£ 25,00	1
12	safety set	95841000	£ 20,50	1
13	shut off unit	94149000	£ 35,00	1
14	set of nuts	96157670	£ 51,00	1
15	non return valve (pressure-resistant up to 2 MPa)	93136000	£ 35,00	1
16	non return valve	96737000	£ 35,00	1
17	O-ring 17x1,5	98137000	£ 3,30	1
18	filter packing	96922000	£ 9,00	1
19	escutcheon Ø 68 mm	96467670	£ 33,00	1
20	noise reduction	96429000	£ 6,10	1
21	set of S-unions (±12 mm)	94140000	£ 51,00	1