

Ecostat

Shower thermostat Comfort for exposed installation 3 ticks

Finish: **Chrome** Article Number: **13179009**



Description

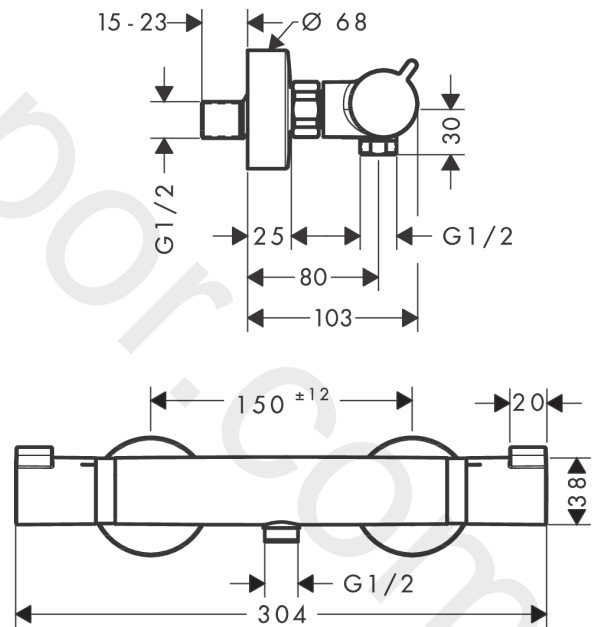
product features

- 1 function
- EcoStop button limits the water consumption to 10 l/min
- thermostat cartridge, ceramic valve 180°
- maximum flow rate at 3 bar: 4 l/min
- min. operating pressure: 1 bar
- max. operating pressure: 10 bar
- Safety stop at 40 °C
- temperature limitation adjustable
- non-return valve
- with silencer
- material handles: metal
- centre distance: 150 ± 12 mm
- connection dimension: DN15
- connection type: s-shaped connections
- dirt filter included

Product image



Scale drawing



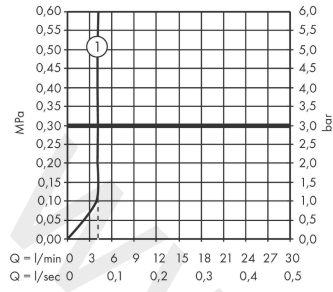
Ecostat

Shower thermostat Comfort for exposed installation 3 ticks

Finish: **Chrome** Article Number: **13179009**



Flowchart



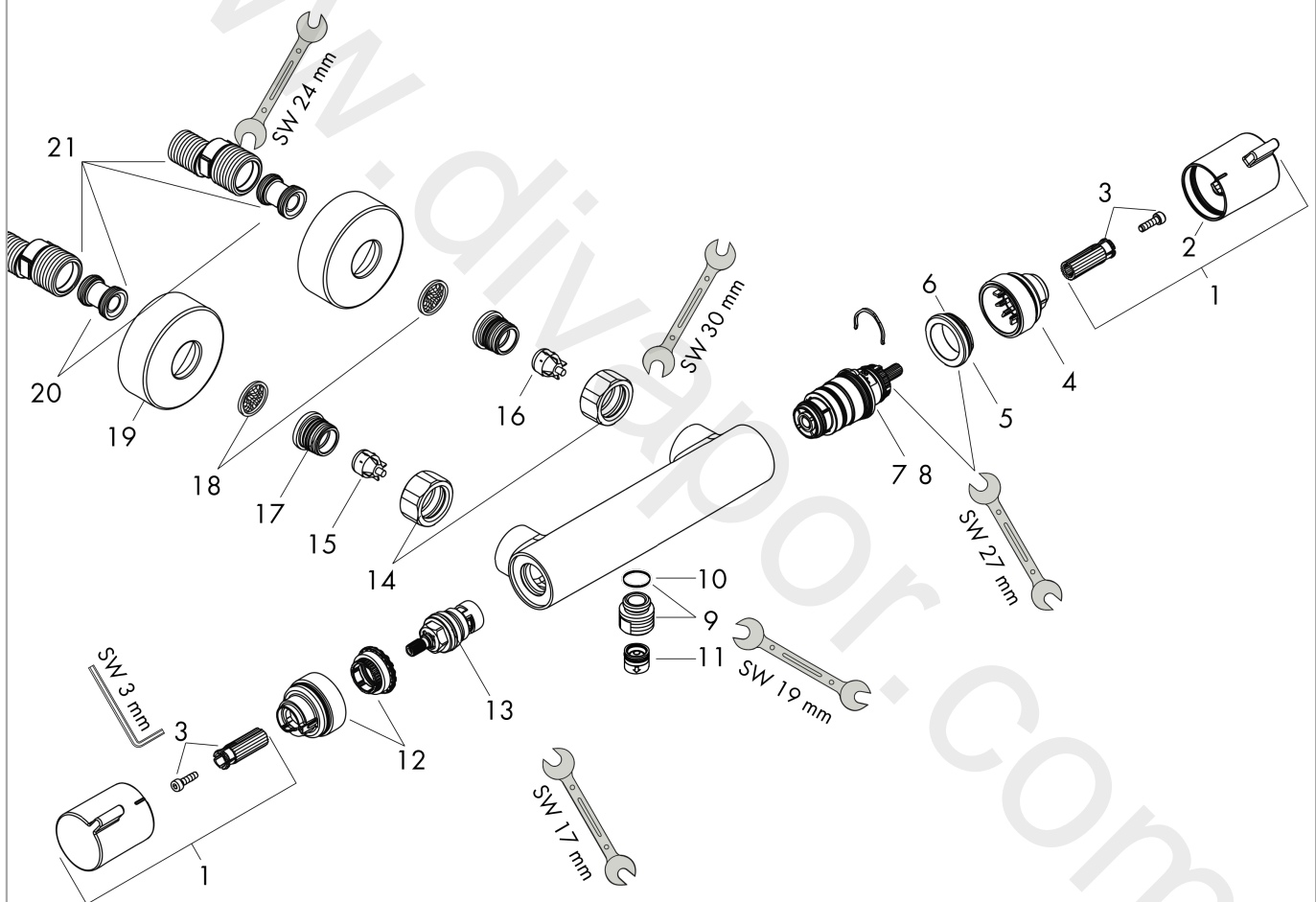
www.divapor.com

Ecostat
Shower thermostat Comfort for exposed installation 3 ticks
 Finish: **Chrome** Article Number: **13179009**



Exploded Drawing

Year of production: >04/20



Ecostat

Shower thermostat Comfort for exposed installation 3 ticks

Finish: **Chrome** Article Number: **13179009**



Spare part list

Year of production: >04/20

Pos.	Description	Article Number	Price	PU
1	handle	95836000	£ 35,00	1
2	pushbutton	92848000	£ 6,10	1
3	handle fixing set	95843000	£ 9,00	1
4	safety set	95839000	£ 20,50	1
5	nut	98913000	£ 20,50	1
6	O-ring 26x1,5	98390000	£ 3,30	1
7	thermostat cartridge	98282000	£ 110,00	1
8	cartridge for exchanged connections	92373000	£ 275,00	1
9	connecting thread	95392000	£ 20,50	1
10	O-ring 14x2	98129000	£ 3,30	1
11	non return valve	92719000	£ 25,00	1
12	safety set	95841000	£ 20,50	1
13	shut off unit	94149000	£ 35,00	1
14	set of nuts	96157000	£ 35,00	1
15	non return valve (pressure-resistant up to 2 MPa)	93136000	£ 35,00	1
16	non return valve	96737000	£ 35,00	1
17	O-ring 17x1,5	98137000	£ 3,30	1
18	filter packing	96922000	£ 9,00	1
19	escutcheon Ø 68 mm	96467000	£ 20,50	1
20	set of S-unions (±12 mm)	94140000	£ 51,00	1
21	noise reduction	96429000	£ 6,10	1