

## Ecostat

### Bath thermostat Comfort for exposed installation 2 ticks

Finish: **Chrome** Article Number: **13174009**



#### Description

##### product features

- projection 177 mm
- 2 functions
- thermostat cartridge, shut-off/ diverter valve
- maximum flow rate at 3 bar: 19,6 l/min
- flow rate for bath spout at 3 bar: 19,6 l/min
- flow rate of hand shower at 3 bar: 6 l/min
- min. operating pressure: 1 bar
- max. operating pressure: 10 bar
- Safety stop at 40 °C
- temperature limitation adjustable
- non-return valve
- with silencer
- material handles: metal
- connection dimension: DN15
- connection type: s-shaped connections
- centre distance: 150 ± 12 mm
- dirt filter included

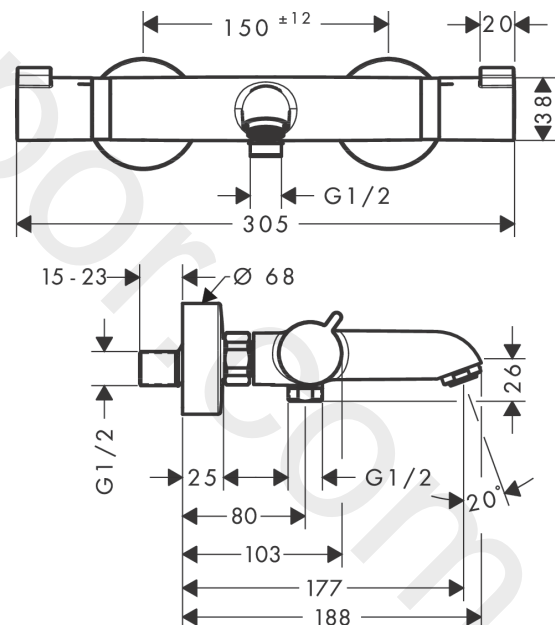
#### Technology



#### Product image



#### Scale drawing



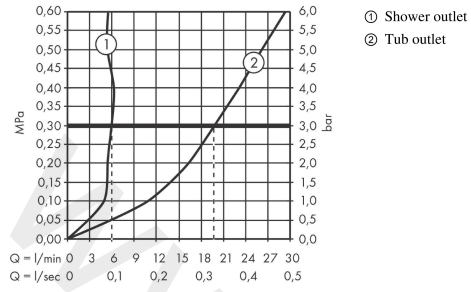
**Ecostat**

**Bath thermostat Comfort for exposed installation 2 ticks**

Finish: **Chrome** Article Number: **13174009**



**Flowchart**

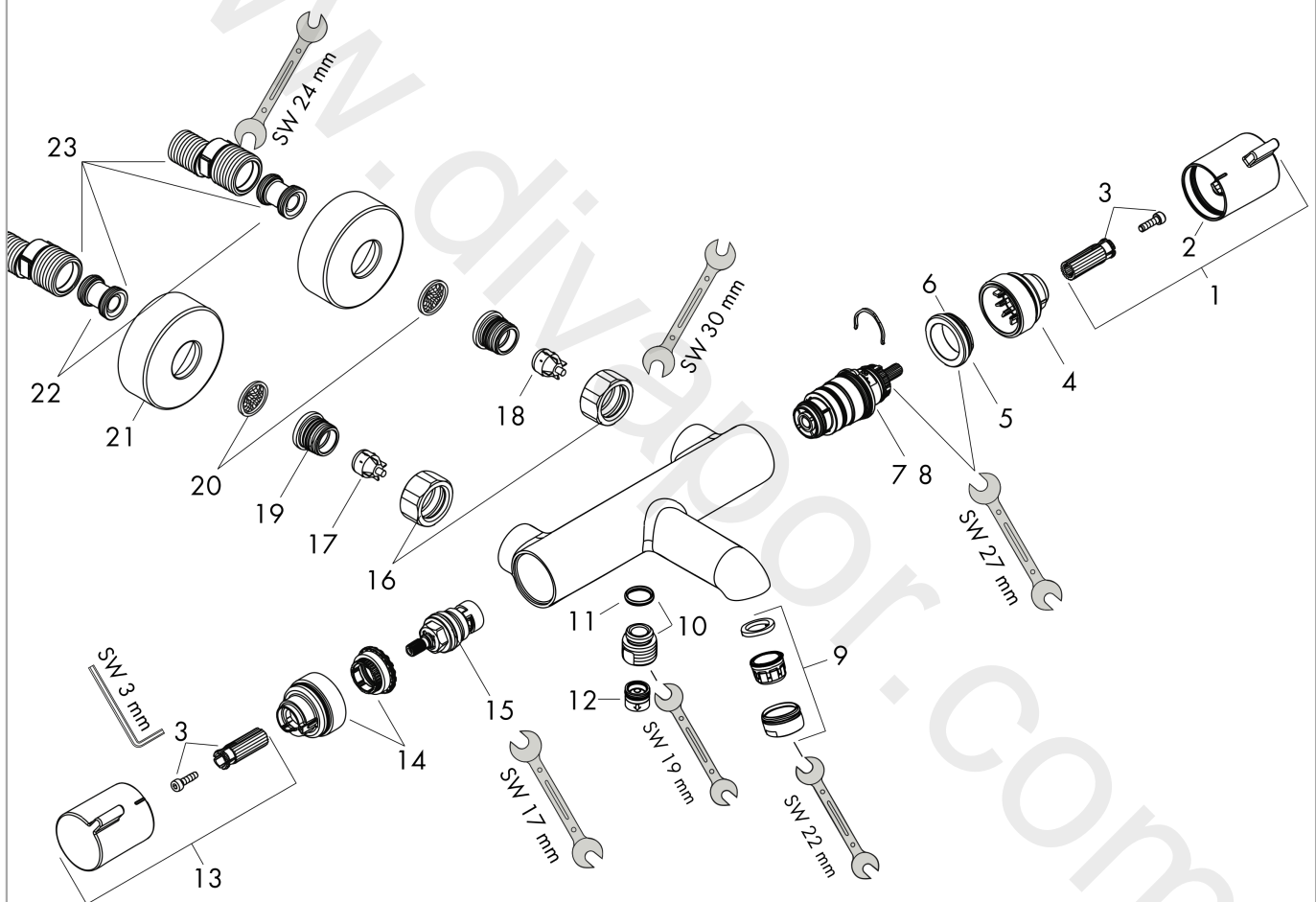


**Ecostat**  
**Bath thermostat Comfort for exposed installation 2 ticks**  
 Finish: **Chrome** Article Number: **13174009**



**Exploded Drawing**

Year of production: >04/20



**Ecostat****Bath thermostat Comfort for exposed installation 2 ticks**Finish: **Chrome** Article Number: **13174009****Spare part list**

Year of production: &gt;04/20

Pos.	Description	Article Number	Price	PU
1	handle	95836000	£ 35,00	1
2	pushbutton	92848000	£ 6,10	1
3	handle fixing set	95843000	£ 9,00	1
4	safety set	95839000	£ 20,50	1
5	nut	98913000	£ 20,50	1
6	O-ring 26x1,5	98390000	£ 3,30	1
7	thermostat cartridge	98282000	£ 110,00	1
8	cartridge for exchanged connections	92373000	£ 275,00	1
9	aerator M24x1 (30 l/min)	96512000	£ 16,10	1
10	connecting thread	95392000	£ 20,50	1
11	O-ring 14x2	98129000	£ 3,30	1
12	non return valve	92839000	£ 16,10	1
13	handle	95845000	£ 43,00	1
14	safety set	95840000	£ 20,50	1
15	shut off unit with selector	98283000	£ 79,00	1
16	set of nuts	96157000	£ 35,00	1
17	non return valve (pressure-resistant up to 2 MPa)	93136000	£ 35,00	1
18	non return valve	96737000	£ 35,00	1
19	O-ring 17x1,5	98137000	£ 3,30	1
20	filter packing	96922000	£ 9,00	1
21	escutcheon Ø 68 mm	96467000	£ 20,50	1
22	set of S-unions (±12 mm)	94140000	£ 51,00	1
23	noise reduction	96429000	£ 6,10	1