

**ShowerTablet Select**  
**Shower thermostat 300 for exposed installation**  
 Finish: **Chrome** Article Number: **13171000**



### Description

**product features**

- 1 function
- Select push-button on/off control for 1 outlet
- CoolContact thermostat: Prevents the housing from heating up, making showering even safer
- thermostat cartridge, Start/stop valve to operate the functions
- maximum flow rate at 3 bar: 14 l/min
- min. operating pressure: 1 bar
- max. operating pressure: 10 bar
- in case of installation on existing G ¾ connections, adaptor no.02026000 must be used
- safety stop at 40 °C
- temperature limitation adjustable
- with isolated water conduction
- non-return valve
- with silencer
- shelf made of safety glass
- surface shelf: mirror glass
- material handles: metal
- centre distance: 150 ± 12 mm
- connection dimension: DN15
- connection type: adjustable connection, G ½
- dirt filter included
- thermostat is delivered with button hand shower

### Article Details

Price excl. VAT

579,17 £

### Technology



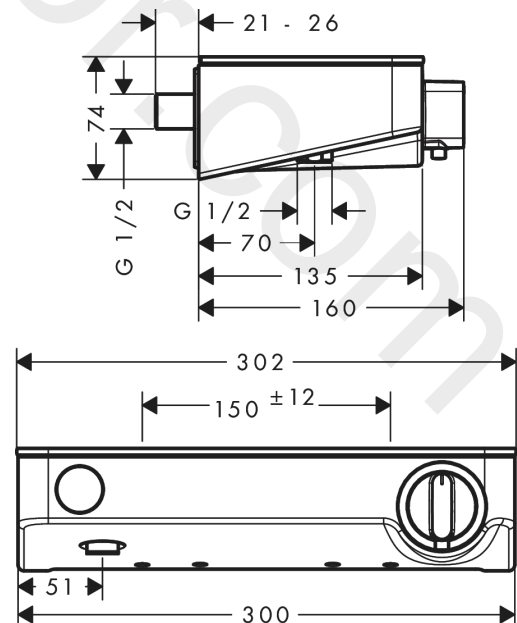
### Certificates / Sustainability



### Product image



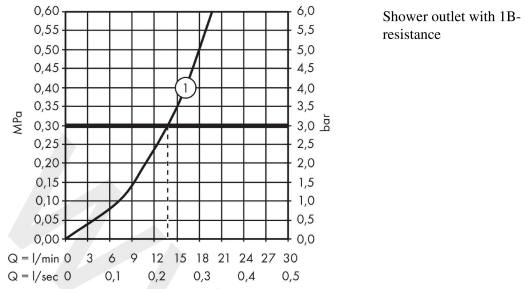
### Scale drawing



**ShowerTablet Select**  
**Shower thermostat 300 for exposed installation**  
 Finish: **Chrome** Article Number: **13171000**



**Flowchart**



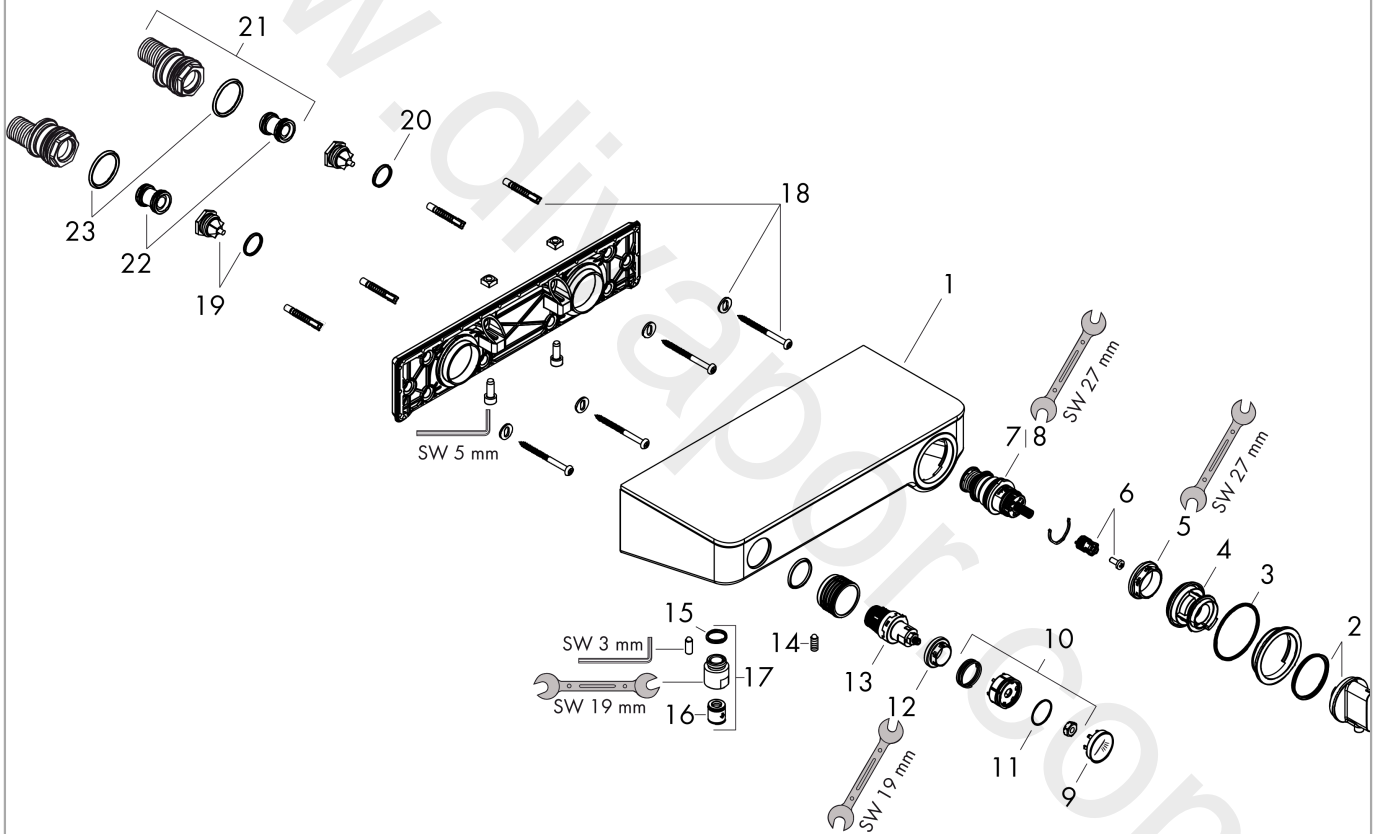
www.divapor.com

**ShowerTablet Select**  
**Shower thermostat 300 for exposed installation**  
 Finish: **Chrome** Article Number: **13171000**



**Exploded Drawing**

Year of production: >06/13



**ShowerTablet Select**  
**Shower thermostat 300 for exposed installation**  
 Finish: **Chrome** Article Number: **13171000**



## Spare part list

Year of production: >06/13

Pos.	Description	Article Number	Price	PU
1	escutcheon	92162000	£ 370,00	1
2	handle for thermostat	98369000	£ 96,00	1
3	O-ring 49x2	98412000	-	1
4	safety set	98370000	£ 6,10	1
5	nut	98913000	£ 20,50	1
6	handle fixing set	92136000	£ 20,50	1
7	thermostat cartridge	98282000	£ 110,00	1
8	cartridge for exchanged connections	92373000	£ 275,00	1
9	set of symbols	98367000	£ 51,00	1
10	spring with sleeve	92340000	£ 13,30	1
11	O-ring 20x1	98140000	£ 3,30	1
12	nut	98368000	£ 13,30	1
13	shut off unit	95758000	£ 110,00	1
14	hollow set screw M6x16 including o-ring 29x3	98372000	£ 9,00	1
15	O-ring 14x2	98129000	£ 3,30	1
16	set of non return valves DW 15	94074000	£ 16,10	1
17	Hose Connection	96044000	£ 25,00	1
18	mounting set	96179000	£ 13,30	1
19	non return valve (pressure-resistant up to 2 MPa)	95773000	£ 35,00	1
20	O-ring 17x2	98199000	£ 3,30	1
21	set of S-unions	95772000	£ 96,00	1
22	noise reduction	96429000	£ 6,10	1
23	O-ring 29x3	98371000	£ 6,10	1
a	adapter for ball S - union	02026000	£ 51,00	1
b	ball s-unions with escutcheon	98293000	£ 830,00	1
c	shut off unit (special)	92361000	£ 110,00	1