

## Basic set for 2-hole rim mounted bath mixer

Finish: n.a. Article Number: 13159180



### Description

#### product features

- suitable for remote spout
- connection thread: G 1/2
- connection dimension: DN15
- ceramic cartridge
- flow rate upper outlet: 18,9 l/min
- flow rate lower outlet: 18,9 l/min
- WRAS 2304036
- WRAS 2304036 - Approval letter 2304036

### Article Details

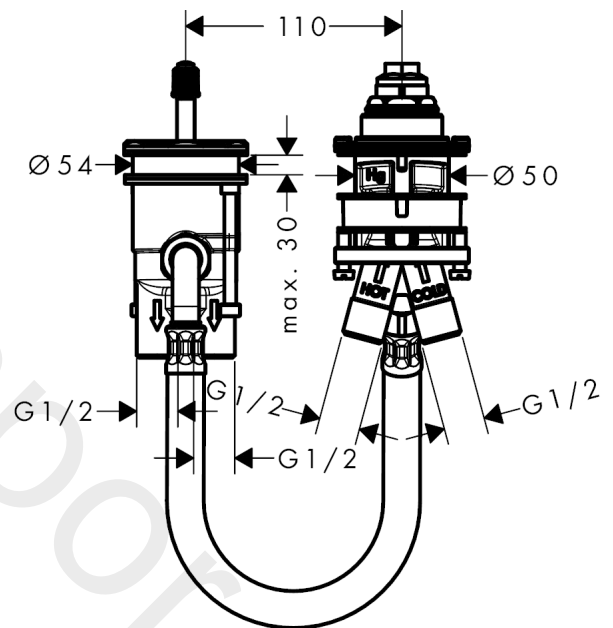
Price excl. VAT

287,50 £

### Product image



### Scale drawing



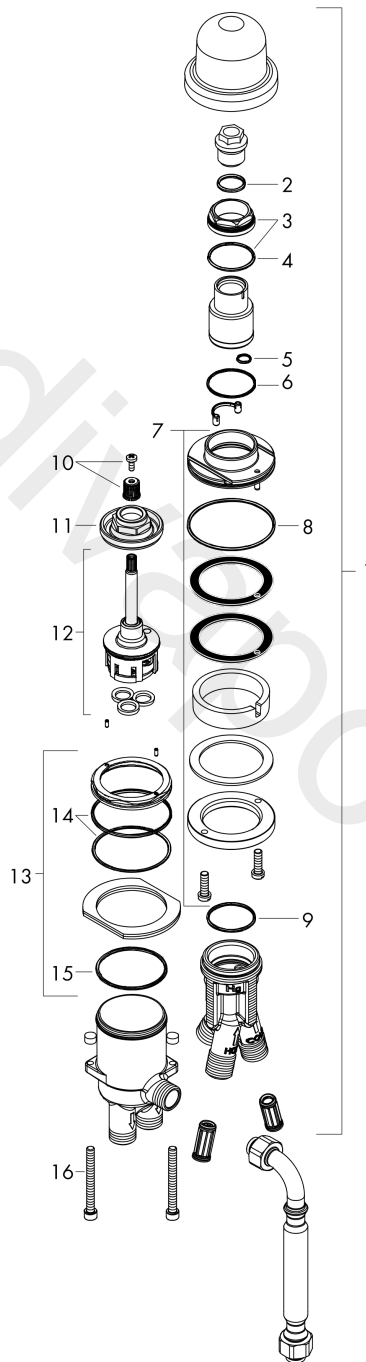
**Basic set for 2-hole rim mounted bath mixer**

Finish: n.a. Article Number: 13159180



**Exploded Drawing**

Year of production: >04/17



**Basic set for 2-hole rim mounted bath mixer**

Finish: n.a. Article Number: 13159180

**Spare part list**

Year of production: &gt;04/17

Pos.	Description	Article Number	Price	PU
1	stop valve cpl.	95809000	£ 370,00	1
2	O-ring 18x2	98181000	£ 6,10	1
3	nut	97209000	£ 16,10	1
4	O-ring 33x2	98154000	£ 3,30	1
5	O-ring 9x1,5	98117000	£ 3,30	1
6	O-ring 35x1,5	92114000	£ 6,10	1
7	fixing set	95808000	£ 173,00	1
8	O-ring 62x2	92226000	£ 3,30	1
9	O-ring 34x2	98383000	£ 6,10	1
10	handle fixing set	98932000	£ 16,10	1
11	nut	97550000	£ 16,10	1
12	diverter unit	92371000	£ 64,00	1
13	fixing set	96926000	£ 79,00	1
14	O-ring 57x2	98210000	£ 3,30	1
15	O-ring 47x2	98392000	£ 3,30	1
16	hexagon socket screw M6x60	97785000	£ 3,30	1